

SPECIFICATION SUBMITTAL SHEET

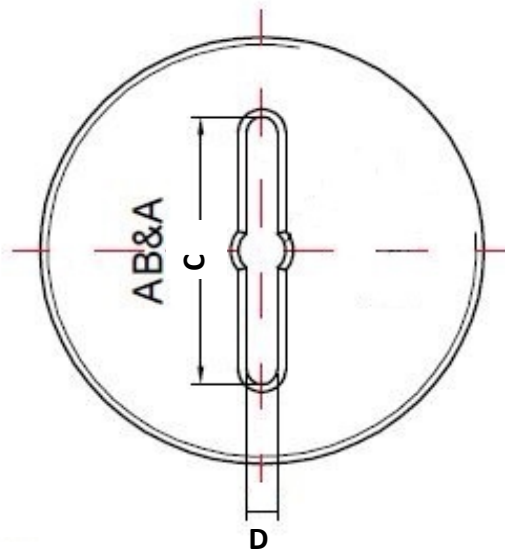
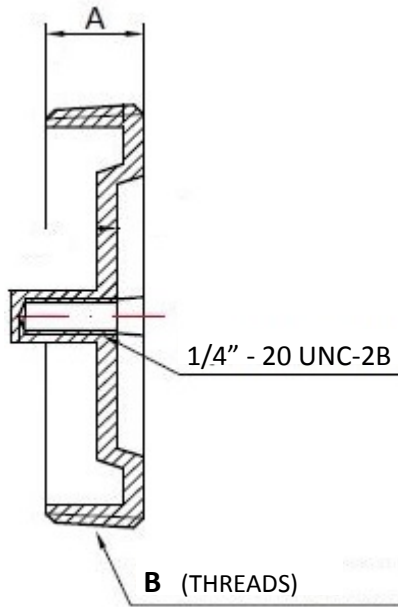

BRASS CLEANOUT PLUG - COUNTER SUNK/LA STYLE

Job Name: _____
 Job Location: _____
 Engineer: _____
 Approval: _____

Contractor: _____
 Approval: _____
 Contractor's PO#: _____
 Representative: _____

Specification

Furnish and install LA style counter sunk brass cleanout plug with tapped 1/4" recess head.



√	Product Code	Size	Model #	A	B	C	D	UNITS/CASE
	69257	1 1/2"	ABA21514	0.622"	1-1/2" - 11 1/2 NPT	0.968"	0.22"	10
	69267	2"	ABA21614	0.642"	2" - 11 1/2 NPT	1.22"	0.22"	10
	69258	2 1/2"	ABA21714	0.759"	2 1/2" - 8 NPT	1.64"	0.22"	10
	69284	3"	ABA21814	0.759"	3" - 8 NPT	1.90"	0.22"	10
	69290	3 1/2"	ABA21914	0.779"	3 1/2" - 8 NPT	2.09"	0.22"	10
	69291	4"	ABA22014	0.866"	4" - 8 NPT	2.25"	0.22"	5
	69285	5"	ABA22114	0.885"	5" - 8 NPT	2.74"	0.22"	5

