

SPECIFICATION SUBMITTAL SHEET



Shower Drain with SUREFIT Joint

Job Name: _____ **Contractor:** _____
Job Location: _____ **Approval:** _____
Engineer: _____ **Contractor's PO#:** _____
Approval: _____ **Representative:** _____

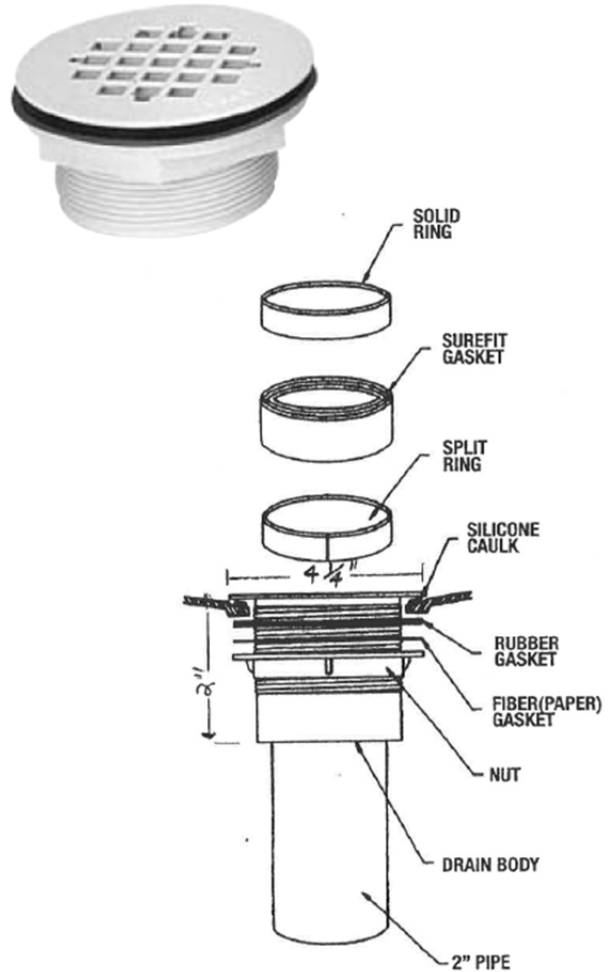
Specifications

Series 3200

For Use in Fiberglass or Other Pre-formed Shower Stalls

2" SUREFIT Connection

Available in ABS or PVC with White Plastic or Stainless Steel Grille



Select Part# Below for Style/Size/Finish of Product Specified:

√	IPS Part #	AB&A Model	Style/Size	Material/Finish
	67012	3200	2" SUREFIT	ABS White Plastic Grate
	67065	3202	2" SUREFIT	PVC White Plastic Grate
	67013	3201	2" SUREFIT	ABS Stainless Steel Grate
	67014	3203	2" SUREFIT	PVC Stainless Steel Grate

