

SPECIFICATION SUBMITTAL SHEET



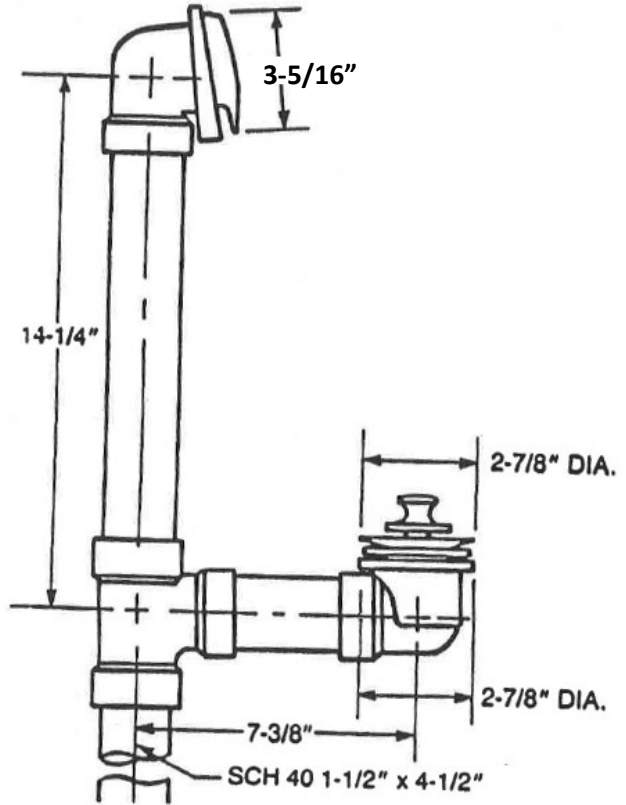
Schedule 40 Waste & Overflow - Classic High-flow, Full Kit w/Test Kit

Job Name: _____
 Job Location: _____
 Engineer: _____
 Approval: _____

Contractor: _____
 Approval: _____
 Contractor's PO#: _____
 Representative: _____

Specification:

- Schedule 40 Waste & Overflow
- Available in PVC & ABS
- "Classic" High-flow Overflow w/Test Kit
- Test kit rated up to 4 stories
- See Below for Stopper Styles



IPS Part #	AB&A Model	Stopper Style	Finish	Units/Case
ABS				
62094	ABA2225HF	Push eN Lift	Chrome	10
61741	ABA22258HF	Turn Top	Chrome	10
61236	ABA2242CSHF	Touch Toe	Chrome	10
61226	ABA2210HF	Flip Top	Chrome	10
PVC				
61023	ABA2226HF	Push eN Lift	Chrome	10
61025	ABA2259HF	Turn Top	Chrome	10
61024	ABA2243CSHF	Touch Toe	Chrome	10
61227	ABA2211HF	Flip Top	Chrome	10

