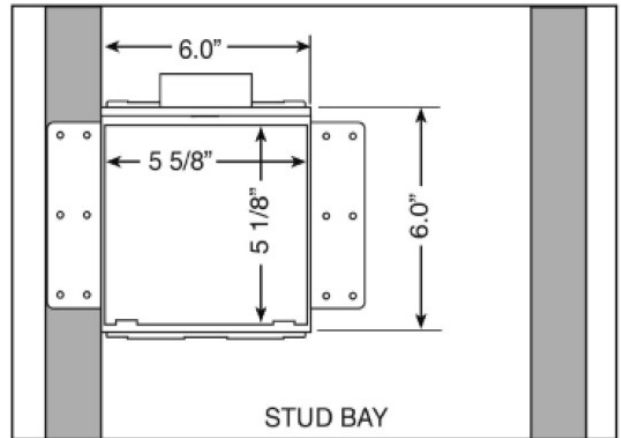
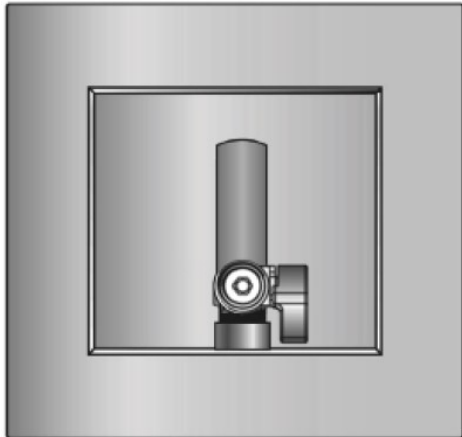




FR-12 Fire Rated Ice Maker Outlet Box
With Lead Free, Quarter Turn Hammer Arrester Valves



Specification:

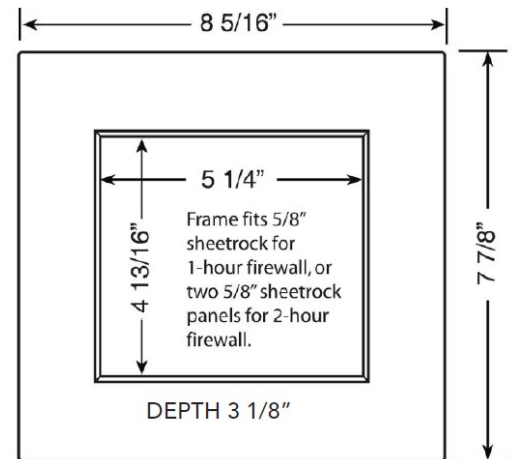
Furnish and install Guy Gray fire rated recessed ice maker outlet box. Unit shall have a lead free brass plated quarter-turn ball valve and integral hammer arrester. Unit shall be Guy Gray product code checked below as manufactured by IPS Corporation.

Box Material:

PVC Resin with Intumescent Pad attached.

Valve & Drain Options:

Lead free Qtr Turn Arrester Valve with 1/2" MIP/Sweat, CPVC, Pex or Wirsbo® connection and a 1/4" compression outlet. Valve complies with NSF/ANSI 372 (annex G) and the U.S. Safe Drinking Water Act.



| Product Code # | Product Description | Model Number | Units/Case |
|----------------|--|---------------|------------|
| 82417 | Lead Free Qtr Turn Arrester Valve, 1/2" Sweat Conx. | FRIB12ABSHA | 5 |
| 82418 | Lead Free Qtr Turn Arrester Valve, 1/2" Sweat Conx., Contractor Pack | FRIB12ABSHACP | 10 |
| 82419 | Lead Free Qtr Turn Arrester Valve, 1/2" CPVC Conx. | FRIB12ABCHA | 5 |
| 82420 | Lead Free Qtr Turn Arrester Valve, 1/2" CPVC Conx., Contractor Pack | FRIB12ABCHACP | 10 |
| 82421 | Lead Free Qtr Turn Arrester Valve, 1/2" PEX Conx. | FRI12ABPHA | 5 |
| 82422 | Lead Free Qtr Turn Arrester Valve, 1/2" PEX Conx., Contractor Pack | FRIB12ABPHACP | 10 |
| 82423 | Lead Free Qtr Turn Arrester Valve, 1/2" Wirsbo® Conx. | FRIB12ABWHA | 5 |
| 82424 | Lead Free Qtr Turn Arrester Valve, 1/2" Wirsbo® Conx., Contractor Pack | FRIB12ABWHACP | 10 |

