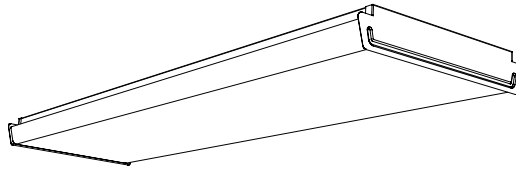


**PHILIPS**  
**Day-Brite**  
**CFI**

Linear

OW wraparound

Wide, 4', T5, T5HO, or T8



Project: \_\_\_\_\_  
 Location: \_\_\_\_\_  
 Cat.No: \_\_\_\_\_  
 Type: \_\_\_\_\_  
 Lamps: \_\_\_\_\_ Qty: \_\_\_\_\_  
 Notes: \_\_\_\_\_

The Philips Day-Brite / Philips CFI OW wraparound wide is a functional and economical lift-and-shift wrap, ideal for surface mount general illumination in light commercial and residential applications.

**Ordering guide**

**Example: OWW432-UNV-1/2-EB**

Series	Width	No. of Lamps per Cross Section	Lamp Type	Voltage	Options
<input type="text" value="OW"/>	<input type="text" value="W"/>	<input type="text"/>	<input type="text"/> -	<input type="text"/> -	<input type="text"/>
<b>OW</b> Wraparound	<b>W</b> Wide	(not included) 2 3 (32WT8 only) 4 (except 54HO)	<b>28</b> 28WT5 (46") <b>32</b> 32WT8 (48") <b>54HO</b> 54WT5HO (46")	<b>UNV</b> Universal voltage 120/277V <b>120</b> 120V <b>277</b> 277V <b>347</b> 347V	<b>1/2</b> One 2-lamp ballast <b>1/3</b> One 3-lamp ballast <b>1/21</b> 2-lamp & 1-lamp ballasts <b>1/4</b> One 4-lamp ballast <b>2/2</b> Two 2-lamp ballasts <b>EB</b> Electronic ballast, <10% THD <b>EB10R</b> T8 electronic ballast, program rapid start, <10% THD <b>EBHE</b> T8 electronic ballast, high efficiency, std. ballast factor <b>EBLHE</b> T8 electronic ballast, high efficiency, low ballast factor <b>EBHHE</b> T8 electronic ballast, high efficiency, high ballast factor <b>EBS</b> T8 electronic step dimming ballast, .88 ballast factor <b>EBD7</b> Advance Mark 7 dimming ballast, 0-10V (low voltage) control <b>EBDX</b> Advance Mark 10 dimming ballast, phase control <b>EBD</b> Electronic dimming ballast, customer specified <b>E1</b> B100 emerg. ballast, T8, 350-450 lumens, 120/277V <b>E1CAN</b> B100-CAN emerg. ballast, Canada market, 350-450 lumens, 120/347V <b>E7</b> B60 emerg. ballast, T8, 600-700 lumens, 120/277V <b>E5</b> B50 emerg. ballast, US or Canada market, T8, 1100-1400 lumens, UNV <b>E5CAN</b> B50 -CAN emerg. ballast, Canada market, 1100-1400 lumens, 120/347V <b>E5ST</b> B50ST emerg. ballast w/self test, T8, 1100-1400 lumens, UNV <b>E7LP</b> LP550 emerg. ballast, T5/T5HO, 430-700 lumens, 120/277V <b>E6LP</b> LP600 emerg. ballast, US or Canada market, T5/T5HO, 750-1325 lumens, 120/277V <b>GLR</b> Fusing, fast blow

See Section 1600-OA for Option Information.  
 See Page 950-SS for Mounting Hardware.

**Accessories (order separately)**

- **CS-400** – Rigid Canopy
- **CS-500** – 42" Top Swivel Canopy
- **CS-12** – 12" Stem
- **CS-18** – 18" Stem
- **CS-24** – 24" Stem
- **CS-30** – 30" Stem
- **CS-36** – 36" Stem
- **CS-48** – 48" Stem



# OWW Wraparound, wide

4', T5, T5HO, or T8

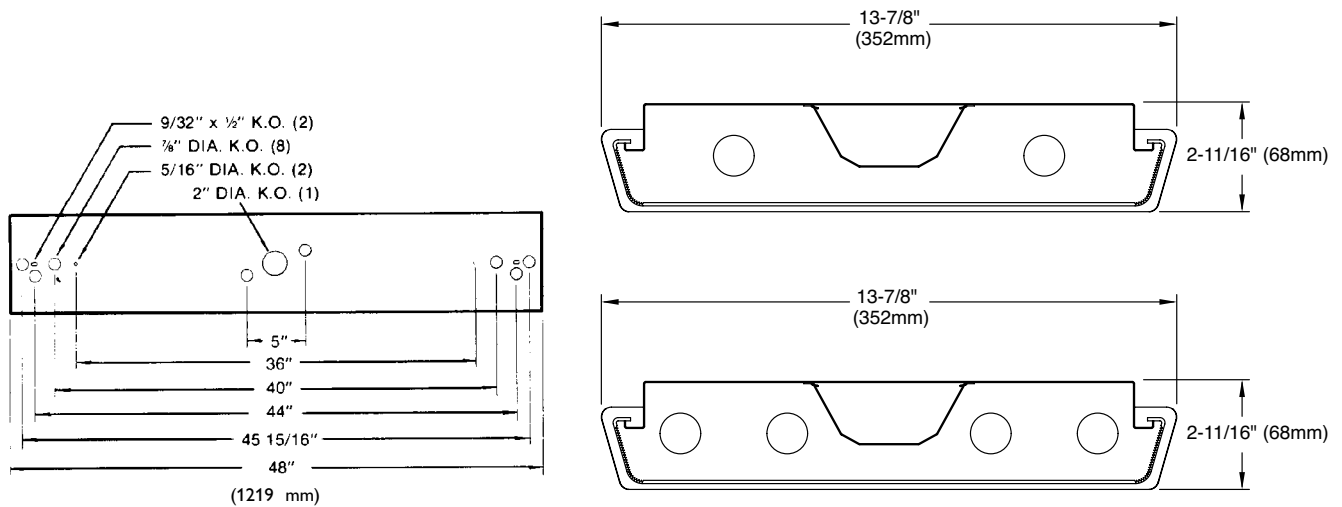
## Construction/Finish

- Pattern 12 bottom prisms with interior linear side wall prisms for maximum cleanliness and light control.
- Tapered shape provides a modern appearance.
- Full steel end plates feature embosses for improved aesthetics.
- 100% virgin acrylic lens hinges from either side for easy maintenance.
- Housing is multi-stage phosphate treated for maximum corrosion resistance and finish coat is high reflectance baked white enamel.
- Multiple knockouts accommodate a variety of mounting methods.
- Heavy duty channel of code gauge die formed steel.
- For surface or stem mounting.

## Electrical

- cULus listed for direct mounting on low density ceilings and damp locations.
- Self-contained fluorescent emergency power packs can be incorporated.
- Lampholders may be individually replaced or rewired.

## Dimensions



# OWW Wraparound, wide

4', T5, T5HO, or T8

## Photometry

### Linear wraparound OWW 4ft, 4 lamp T8

Efficiency – 74.1%

LER – 73

TER – 63

<b>Catalog No.</b> OWW432-1/4-EB <b>Test No.</b> ITL41980 <b>S/MH</b> 1.4 <b>Lamp Type</b> F32T8 <b>Lumens/Lamp</b> 2900 <b>Input Watts</b> 107  Comparative yearly lighting energy cost per 1000 lumens – <b>\$3.29</b> based on 3000 hrs. and \$.08 pwr KWH.  The photometric results were obtained in the Philips Day-Brite laboratory which is NVLAP accredited by the National Institute of Standards and Technology.	<b>Candlepower</b>				<b>Light Distribution</b>				<b>Average Luminance</b>							
	<b>Angle</b>	<b>End</b>	<b>45</b>	<b>Cross</b>	<b>Degrees</b>	<b>Lumens</b>	<b>% Lamp</b>	<b>% Luminaire</b>	<b>Angle</b>	<b>End</b>	<b>45'</b>	<b>Cross</b>				
0	2848	2848	2848	0-30	2289	19.7	26.6	45	6460	6882	6899					
5	2852	2847	2840	0-40	3817	32.9	44.4	55	4859	5268	4579					
15	2761	2792	2818	0-60	6596	56.9	76.7	65	3199	3704	3373					
25	2567	2667	2741	0-90	7968	68.7	92.7	75	2598	2987	3410					
35	2281	2457	2567	90-180	631	5.4	7.3	85	2739	3205	4411					
45	1875	2120	2248	0-180	8599	74.1	100.0									
55	1144	1349	1267	<b>Coefficients of Utilization</b>												
65	555	727	739	<b>EFFECTIVE FLOOR CAVITY REFLECTANCE 20 PER (pfc=0.20)</b>												
75	276	390	528	pcc	80			70			50					
85	98	195	379	pw	70	50	30	70	50	30	50	30				
95	1	159	311	RCR												
105	2	183	270	0	86	86	86	83	83	83	79	79				
115	6	141	202	1	80	76	72	77	73	70	69	67				
125	9	100	142	2	72	67	61	69	65	59	60	57				
135	11	63	88	3	66	58	53	64	56	52	54	50				
145	12	48	64	4	60	52	46	58	51	45	48	44				
155	12	33	47	5	56	46	40	54	46	40	44	38				
165	11	19	28	6	52	41	35	50	40	34	40	34				
175	9	11	15	7	47	38	32	46	38	32	35	30				
				8	45	34	28	42	34	28	33	28				
				9	41	32	26	40	30	26	29	25				
				10	39	29	23	38	28	23	28	23				

### Linear wraparound OWW 4ft, 3 lamp T8

Efficiency – 77.5%

LER – 74

TER – ----

<b>Catalog No.</b> OWW332--UNV-1/3-EB <b>Test No.</b> 35465 <b>S/MH</b> 1.3 <b>Lamp Type</b> F32T8 <b>Lumens/Lamp</b> 2700 <b>Input Watts</b> 84  Comparative yearly lighting energy cost per 1000 lumens – <b>\$3.24</b> based on 3000 hrs. and \$.08 pwr KWH.  The photometric results were obtained in the Philips Day-Brite laboratory which is NVLAP accredited by the National Institute of Standards and Technology.	<b>Candlepower</b>				<b>Light Distribution</b>				<b>Average Luminance</b>							
	<b>Angle</b>	<b>End</b>	<b>45</b>	<b>Cross</b>	<b>Degrees</b>	<b>Lumens</b>	<b>% Lamp</b>	<b>% Luminaire</b>	<b>Angle</b>	<b>End</b>	<b>45'</b>	<b>Cross</b>				
0	2085	2085	2085	0-30	1658	20.5	26.4	45	4751	4810	5015					
5	2071	2086	2092	0-40	2750	34.0	43.8	55	4123	4153	4071					
15	2010	2035	2050	0-60	4846	59.8	77.1	65	2677	2807	2897					
25	1881	1922	1954	0-90	5930	73.2	94.4	75	1729	2030	2803					
35	1672	1752	1804	90-180	351	4.3	5.6	85	1265	1958	3895					
45	1389	1501	1581	0-180	6281	77.5	100.0									
55	990	1092	1086	<b>Coefficients of Utilization</b>												
65	483	578	608	<b>EFFECTIVE FLOOR CAVITY REFLECTANCE 20 PER (pfc=0.20)</b>												
75	200	289	412	pcc	80			70			50					
85	59	147	309	pw	70	50	30	70	50	30	50	30				
95	0	124	229	RCR												
105	2	123	149	0	91	91	91	89	89	89	83	83				
115	3	66	83	1	82	80	76	81	77	73	72	70				
125	4	43	73	2	76	69	65	73	68	63	64	60				
135	5	22	43	3	68	60	55	67	59	54	56	52				
145	6	12	21	4	64	55	47	61	53	46	51	45				
155	7	8	11	5	58	48	41	56	47	40	46	40				
165	8	7	7	6	54	44	36	52	42	36	40	35				
175	8	7	8	7	50	40	33	48	39	33	36	32				
				8	46	35	29	45	35	28	34	28				
				9	44	33	27	41	33	27	30	26				
				10	40	30	25	40	29	23	28	23				



Some luminaires use fluorescent or high intensity discharge (HID) lamps that contain small amounts of mercury. Such lamps are labeled, "Contain Mercury" and/or the symbol "HG". Lamps that contain mercury must be disposed of in accordance with local requirements. Information regarding lamp recycling and disposal can be found at [www.lamprecycle.org](http://www.lamprecycle.org)

© 2016 Koninklijke Philips N.V. All rights reserved.  
 Philips reserves the right to make changes in specifications and/or to discontinue any product at any time without notice or obligation and will not be liable for any consequences resulting from the use of this publication.  
[philips.com/luminaires](http://philips.com/luminaires)



Philips Lighting North America Corporation  
 200 Franklin Square Drive, Somerset, NJ 08873  
 Tel. 855-486-2216

Philips Lighting Canada Ltd.  
 281 Hillmount Rd, Markham, ON, Canada L6C 2S3  
 Tel. 800-668-9008