

PLEASE CHECK WWW.MOLEX.COM FOR LATEST PART INFORMATION

Part Number: [1301160016](#)
Status: **Active**
Overview: Aero-Motive Box-Track Festoon Systems
Description: Value Plus Box Track for Flat Cable, Festoon Intermediate Car, 95.00mm (3.740") Height

Documents:
[RoHS Certificate of Compliance \(PDF\)](#)

General

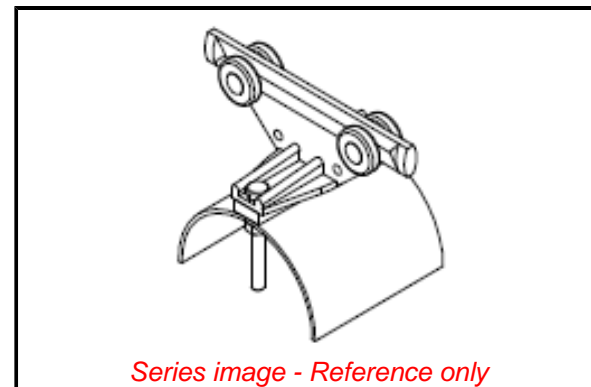
Product Family	Festoons
Series	130116
Cable Height - Maximum	6.86mm (.270")
Cable Width - Maximum	57.91mm (2.280")
Combined Cable Weight-Max./Car	19.96kg (44.0 lb)
Component Type	Car - Intermediate
Depth	80.77mm (3.180")
Duty	Standard - 20kg per Car
Height	95.00mm (3.740")
Length	127.00mm (5.000")
Overview	<u>Aero-Motive Box-Track Festoon Systems</u>
Product Name	Aero-Motive
Type	Box Track - Plus
UPC	78678862598
Woodhead	Yes

Physical

Material - Metal	Aluminum
Material - Wheel	Steel - Ball Bearing
Number of Cars	1
Packaging Type	Individual Carton
Saddle Radius	53.34mm (2.100")
Thread Size	N/A
Wire/Cable Type	Flat

Material Info

Engineering Number	42421
--------------------	-------



Series image - Reference only

EU ELV

Not Reviewed

EU RoHS

Not Reviewed

REACH SVHC

Not Reviewed

Halogen-Free

Status

Not Reviewed

Need more information on product environmental compliance?

Email productcompliance@molex.com
Please visit the [Contact Us](#) section for any non-product compliance questions.

China ROHS

Not Reviewed

ELV

Not Reviewed

RoHS Phthalates

Not Reviewed

Search Parts in this Series

[130116 Series](#)

PLEASE CHECK WWW.MOLEX.COM FOR LATEST PART INFORMATION