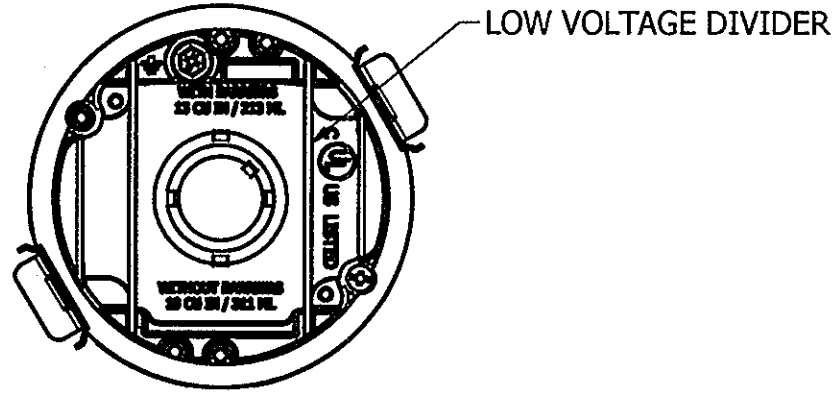


M-12910

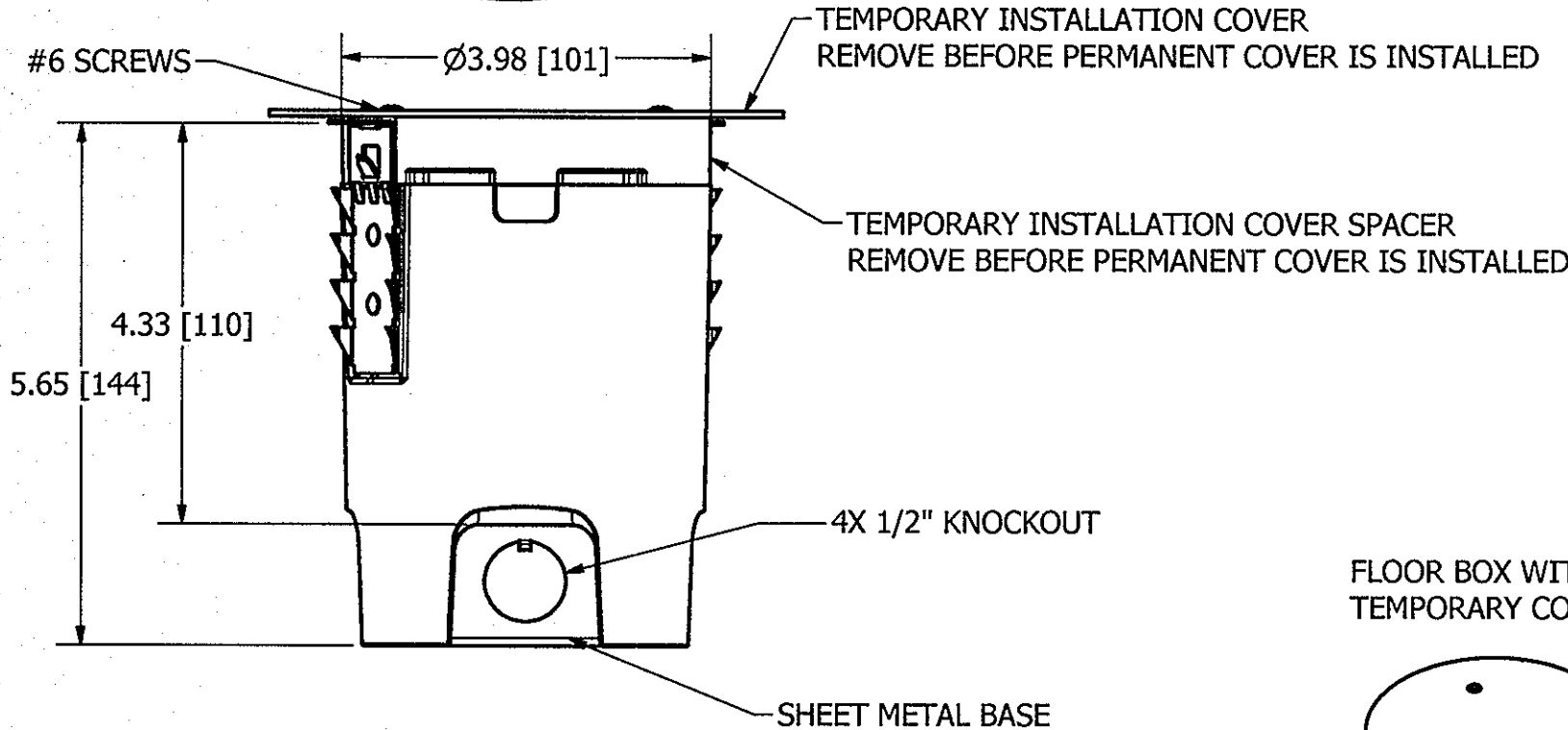
2

TOP VIEW WITHOUT TEMPORARY
INSTALLATION COVER

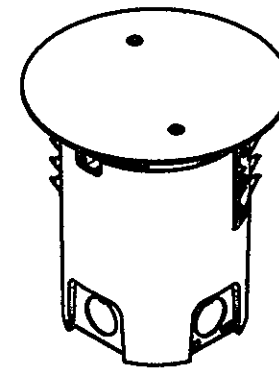


NOTES:

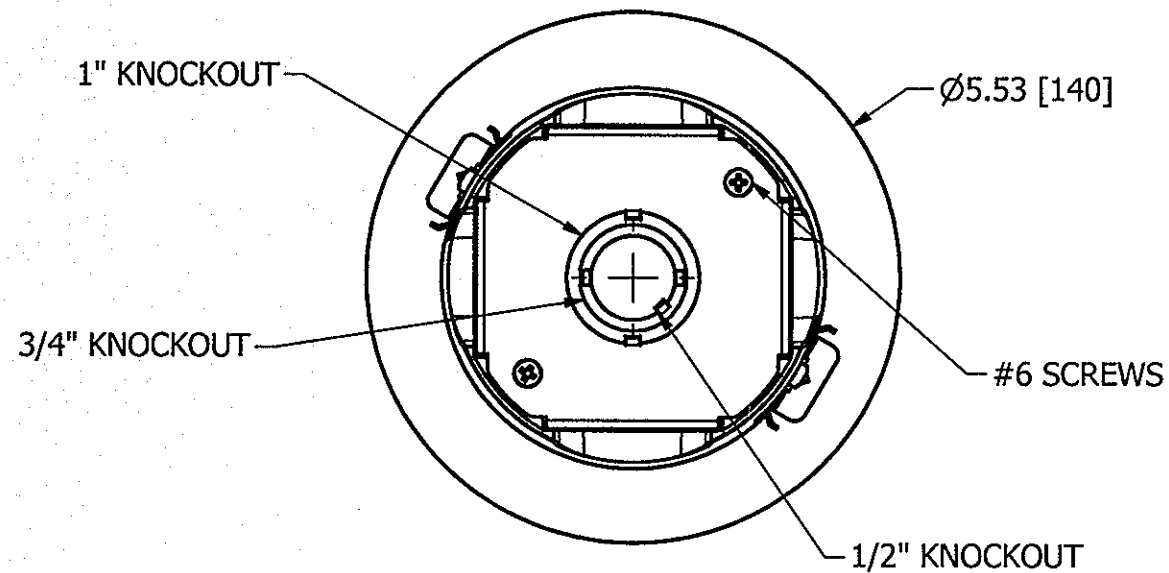
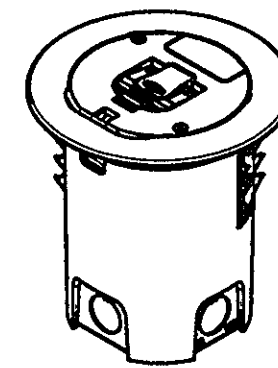
- 1) ALL DIMENSIONS ARE IN INCHES AND [MILLIMITERS]
- 2) MINIMUM TILE THICKNESS OF 1.125" IS REQUIRED FOR COMPLIANCE WITH NEMA 300.22(C).
- 3) DESIGNED FOR 1- 2 1/2" FLOOR THICKNESS .
- 4) DESIGNED FOR 4 - 4 1/8" HOLE SIZE.
- 5) USE WITH AFBS1R4CVR SERIES COVERS ONLY.



FLOOR BOX WITH
TEMPORARY COVER



FLOOR BOX WITH
AFBS1R4CVR COVER



CAT#	DESCRIPTION	FINISH
AFBS1R4BASE	4" AFB W TEMPORARY COVER	N/A
AFBS1R4ALU	4" AFB W ALUMINUM COVER	BRUSHED ALUMINUM
AFBS1R4BLK	4" AFB W BLACK COVER	BLACK POWDER COAT
AFBS1R4BRS	4" AFB W BRASS COVER	BRASS PLATE
AFBS1R4BRZ	4" AFB W BRONZE COVER	BRONZE PLATE
AFBS1R4NKL	4" AFB W NICKEL COVER	NICKEL PLATE
AFBS1R4GRY	4" AFB W GRAY COVER	GRAY POWDER COAT

LIST OF PARTS

DESCRIPTION	MATERIAL	FINISH
FLOOR BOX	ALUMINUM	-
FLOOR BOX BASE	GALV. STEEL G60	-
BARBED LOCK FEAT.	STEEL	ZINC
SCREWS	STEEL	ZINC
GROUND SCREW	STEEL	GREEN COAT
RIVET	COPPER	-
INSTALL CVR SPACE	THERMOPLASTIC	-
INSTALL COVER	GALV. STEEL G60	-
SELF-TAP SCREW	S. STEEL	-
COVER	ALUMINUM	SEE TABLE
LOW VOLTAGE DIV.	GALV. STEEL G60	-

DIMENSION SHEET FOR CAT. NO.

REPAIRABLE

NON-REPAIRABLE

2	CAD MODELS & TITLE UPDATED, MARKED KNOCKOUTS. PER DCN#21848	EMD	3/3/16
1	RELEASED PER DCN#21144	EMD	6/26/15
SYM	DESCRIPTION	APPROVED	DATE

THE DESIGN AND DIMENSIONS OF THE PRODUCT SHOWN ON THIS DRAWING ARE SUBJECT TO CHANGE WITHOUT NOTICE

TITLE

RAISED ACCESS RECESSED FLOOR BOX
CUSTOMER DWG

TOLERANCES UNLESS OTHERWISE SPECIFIED
FRACTIONS ±1/64
DECIMALS ±.005
ANGLES ±2°

WIRING DEVICE-KELLEMS
HUBBELL INCORPORATED
SHELTON, CT

DR. BY EMD APP. BY
TR. BY SCALE
CHK'D BY DATE 2/6/2015

B

M-12910

2