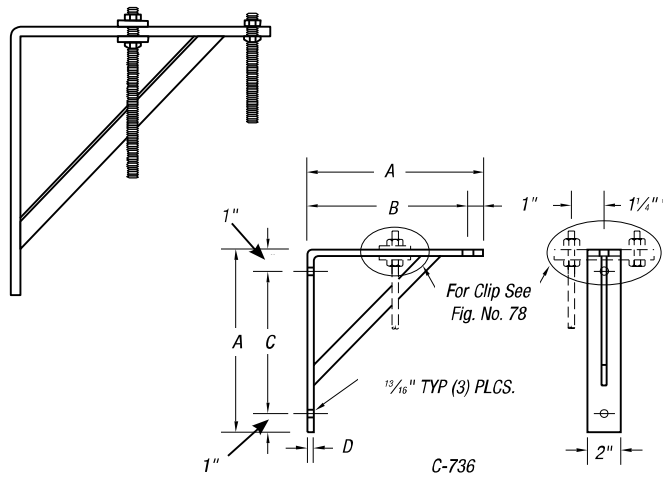


## Pipe Straps, Conduit Clamps and Hangers

### C-736 — Light Welded Steel Bracket

Designed to support up to 6" pipe. This bracket is for installation to walls as shown or inverted, and may require a backing plate. Holes for up to 3/4" rods are located at each end of the bracket to allow for use in either orientation. The C-736 Side Clip Steel Bracket Clip can be attached to the C-736 to support piping 3 1/2" or smaller. Please see Figure 79 for more information.



#### Specifications

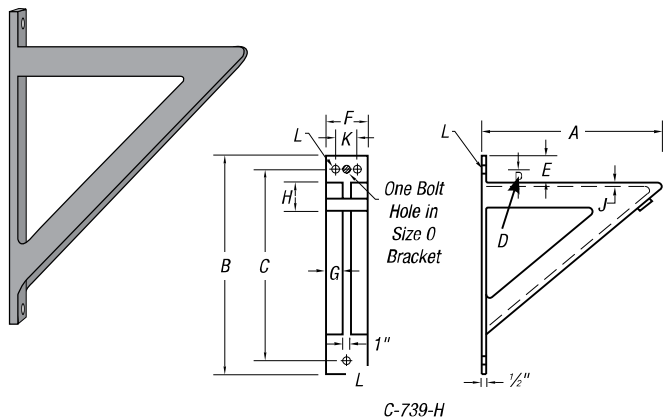
- Compliance: A-A-1192A Type 31, MSS-SP 69 Type 31
- Finish: Standard Finish — GoldGalv®, Black (add suffix "-B"), Electro-Galvanized (add suffix "-EG")
- Ordering: Specify size number, catalog number and finish.

CAT. NO.	ROD TAP	MAX. LOAD (LBS.)	DIMENSIONS (IN.)			WT. EACH (LBS.)
			A	B	C	
C-736-1	1	750	9	8	6 1/2	6.99
C-736-2	2	750	13	12	10 1/2	10.10
C-736-3	3	750	19	18	16 1/2	10.50

Standard Finish — GoldGalv®, unless otherwise stated.

### C-739-H — Heavy Welded Steel Bracket

Designed to support pipe from either above or below. Slotted construction allows for drop rod use along the length of the bracket. This bracket is for bolted installation to walls and may require a backing plate. Special steel brackets can be fabricated to customers loads and/or dimensions.



#### Specifications

- Compliance: A-A-1192A Type 33, MSS-SP 69 Type 33
- Finish: Standard Finish — GoldGalv®, Black (add suffix "-B"), Electro-Galvanized (add suffix "-EG")
- Ordering: Specify size number, catalog number and finish.

CAT. NO.	SIZE	MAX. LOAD (LBS.)	DIMENSIONS (IN.)											WT. EACH (LBS.)
			A	B	C	D	E	F	G	H	J	K	L	
C-739-H-0	0	3,000	12	18	15 1/4	1 1/2	2 3/4	4 1/2	1 1/2	2	1/4	NA	1 3/10	25.1
C-739-H-1	1	3,000	18	24	21 3/8	1 1/2	2 3/4	5	1 1/2	2	3/8	2 3/4	1 3/16	44.8
C-739-H-2	2	3,000	24	30	27 1/2	1 1/2	2 3/4	5	1 1/2	2 1/2	3/8	2 1/2	1 1/16	60.7
C-739-H-3	3	3,000	30	36	33 3/4	1 3/8	3	6	2	2 1/2	3/8	2 1/2	1 1/10	98.1
C-739-H-4	4	3,000	36	42	39	1 1/2	3	6	2	3 1/2	3/8	3 1/2	1 1/16	129.4
C-739-H-5	5	3,000	42	50	46	1 1/2	3 1/2	7	2 1/2	3 1/2	3/8	3 1/2	1 1/16	177.2