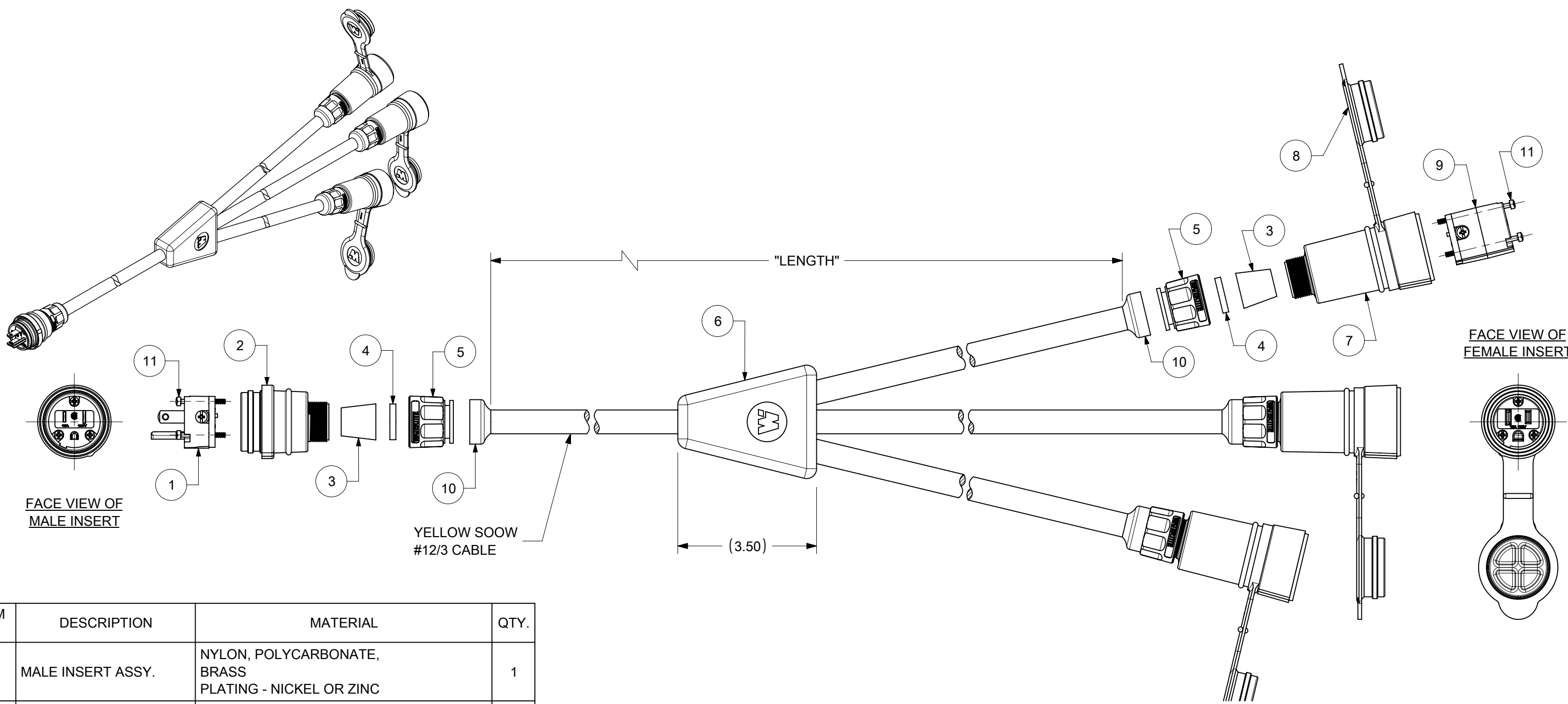


10 9 8 7 6 5 4 3 2 1

F
E
D
C
B
A



YELLOW SOOW #12/3 CABLE

FACE VIEW OF MALE INSERT

FACE VIEW OF FEMALE INSERT

ITEM NO.	DESCRIPTION	MATERIAL	QTY.
1	MALE INSERT ASSY.	NYLON, POLYCARBONATE, BRASS PLATING - NICKEL OR ZINC	1
2	WATERTITE - MALE HUSK	SILICONE	1
3	GROMMET	RUBBER	4
4	FRICITION RING	NYLON	4
5	COMPRESSION NUT YELLOW	NYLON	4
6	MOLDED "W" - CORDSET	JACKET: RUBBER; CONDUCTOR: COPPER	1
7	WATERTITE - FEMALE HUSK	SILICONE	3
8	CLOSURE CAP YELLOW	SILICONE	3
9	FEMALE INSERT ASSY.	NYLON, POLYCARBONATE, BRASS PLATING - NICKEL OR ZINC	3
10	CABLE GLOVE	SILICONE	4
11	RETAINING SCREW	STAINLESS STEEL	12

MATERIAL NUMBER	ENGINEERING NUMBER	DESCRIPTION	LENGTH
1301540046	14W47-W	MOLDED W-SPLICE (1) 14W47 & (3) 15W47	3 FT.
1301540120	130154-0120	MOLDED W-SPLICE (1) 14W47 & (3) 15W47	27 FT.

SYMBOLS		THIS DRAWING CONTAINS INFORMATION THAT IS PROPRIETARY TO MOLEX ELECTRONIC TECHNOLOGIES, LLC AND SHOULD NOT BE USED WITHOUT WRITTEN PERMISSION	
▽ = 0	INCH	SCALE	NTS
▽ = 0	GENERAL TOLERANCES (UNLESS SPECIFIED)		
▽ = 0	ANGULAR TOL	±	°
▽ = 0	4 PLACES	±	
▽ = 0	3 PLACES	±	
▽ = 0	2 PLACES	±	
▽ = 0	1 PLACE	±	
▽ = 0	0 PLACES	±	
■ = 0	DRAFT WHERE APPLICABLE MUST REMAIN WITHIN DIMENSIONS		
▽ = 0	THIRD ANGLE PROJECTION	DRAWING	SERIES
CURRENT REV DESC: NEW RELEASE		EC NO: 621531	
		DRWN: PPURSUTANDEL 2019/07/08	
		CHK'D: PPURSUTANDEL 2019/12/04	
		APPR: HKNEELAND 2020/02/05	
		INITIAL REVISION:	
		DRWN: PPURSUTANDEL 2019/07/08	
		APPR: HKNEELAND 2020/02/05	
		DOCUMENT NUMBER	DOC TYPE DOC PART REVISION
		1301540046	PSD 000 A
		MATERIAL NUMBER	CUSTOMER
		SEE CHART	GENERAL MARKET
		SHEET NUMBER	1 OF 1