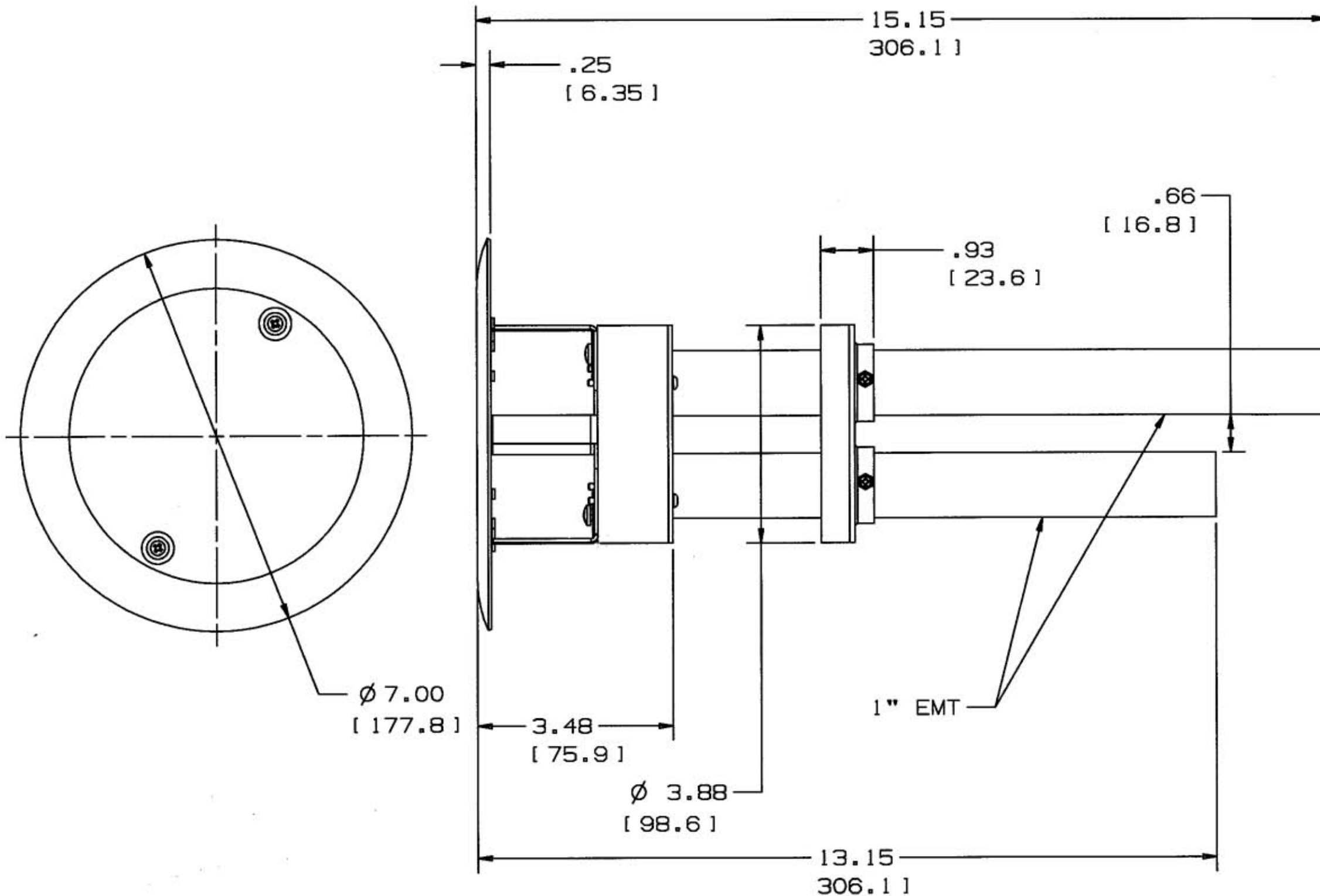


M-9496 3



DIMENSIONS IN INCHES [ MM ]

LIST OF PARTS

DESCRIPTION	MATERIAL	FINISH
INSTALLATION PLATE	GALV. CRS	
(2) SCREW, #6 FT.HD.	STEEL	ZINC PLT.
FLOOR CUP 4X4	GALV. CRS	
(2) POSITION CLIP	STAIN. STL.	
(2) SCREW, MTG. CLIP	STEEL	ZINC PLT.
(4) FIRE BARRIER	FIRE BAR. MATL.	NATURAL
WIRING TUBE ASSEMBLY		
(4) SCREW, TORX PN.HD.	PVC	GRAY

REV	DESCRIPTION	APP	DATE
3	UPDATED ASSEMBLY & ADDED 15.15 PER DCN. 12496 TJV 8-29-05	TLS	8.30.05
2	ADDED .93 [ 23.6 ], .66 [ 16.8 ], 1" EMT, 2.99 [ 75.9 ], DELETED 6.32 [ 144.8 ] & REVISED TITLE BLOCK FOR SYSTEM ONE. PER DCN 12261 TLS.	TLS	3-8-05
1	DCN11999 INITIAL RELEASE	TLS	11-8-04

SYM	REVISIONS	APP	DATE

THE DESIGN AND DIMENSIONS OF THE PRODUCT SHOWN ON THIS DRAWING ARE SUBJECT TO CHANGE WITHOUT NOTICE

TITLE  
SYSTEM ONE  
THRU FLOOR FITTING

TOLERANCES UNLESS OTHERWISE SPECIFIED FRACTIONS ± 1/64 DECIMALS ± .005 ANGLES ± 2°	WIRING DEVICE-KELLEMS HUBBELL INCORPORATED BRIDGEPORT, CT	
	DR. BY PAC	APP. BY TLS
	TR. BY	SCALE NONE
	CHK'D BY TLS	DATE 9-21-04

DIMENSION SHEET FOR CAT. NO.

SIPFIT

REPAIRABLE

NON-REPAIRABLE

B

M-9496

3