

BALDOR® • RELIANCE

Product Information Packet

ANFL3507M

.75HP, 1725RPM, 1PH, 60HZ, 48YZ, 3428LC, TEFC

Part Detail							
Revision:	B	Status:	PRD/A	Change #:		Proprietary:	No
Type:	AC	Elec. Spec:	34WGX030	CD Diagram:	CD0320	Mfg Plant:	
Mech. Spec:	34M899	Layout:	34LYM899	Poles:	04	Created Date:	11-23-2016
Base:	N	Eff. Date:	11-03-2017	Leads:	6#18,1#16 #4TH		

Specs			
Catalog Number:	ANFL3507M	Inverter Code:	Not Inverter
Enclosure:	TEFC	KVA Code:	J
Frame:	48YZ	Lifting Lugs:	No Lifting Lugs
Frame Material:	Steel	Locked Bearing Indicator:	Locked Bearing
Output @ Frequency:	.750 HP @ 60 HZ	Motor Lead Quantity/Wire Size:	6 @ 18 AWG
Synchronous Speed @ Frequency:	1800 RPM @ 60 HZ	Motor Lead Exit:	Ko Box
Voltage @ Frequency:	230.0 V @ 60 HZ	Motor Lead Termination:	Flying Leads
	115.0 V @ 60 HZ	Motor Type:	3428LC
XP Class and Group:	None	Mounting Arrangement:	F1
XP Division:	Not Applicable	Power Factor:	80
Agency Approvals:	CSA	Product Family:	General Purpose
	UR	Product Type:	FARM DUTY
Auxillary Box:	No Auxillary Box	Pulley End Bearing Type:	Ball
Auxillary Box Lead Termination:	None	Pulley Face Code:	Oil Burner Flange
Base Indicator:	No Mounting	Pulley Shaft Indicator:	Standard
Bearing Grease Type:	Polyrex EM (-20F +300F)	Rodent Screen:	None
Blower:	None	RoHS Status:	ROHS COMPLIANT
Current @ Voltage:	4.100 A @ 230.0 V	Shaft Extension Location:	Pulley End

	5.400 A @ 208.0 V	Shaft Ground Indicator:	No Shaft Grounding
	8.200 A @ 115.0 V	Shaft Rotation:	Reversible
Design Code:	N	Shaft Slinger Indicator:	No Slinger
Drip Cover:	No Drip Cover	Speed Code:	Single Speed
Duty Rating:	CONT	Motor Standards:	NEMA
Electrically Isolated Bearing:	Not Electrically Isolated	Starting Method:	Direct on line
Feedback Device:	NO FEEDBACK	Thermal Device - Bearing:	None
Front Face Code:	Standard	Thermal Device - Winding:	None
Front Shaft Indicator:	Multiple Flats	Vibration Sensor Indicator:	No Vibration Sensor
Heater Indicator:	No Heater	Winding Thermal 1:	Manual Thermal Overload
Insulation Class:	B	Winding Thermal 1 Location:	KO

Nameplate NP1280L											
CAT.NO.	ANFL3507M										
SPEC.	34M899X030G1										
HP	.75										
VOLTS	115/230										
AMP	8.2/4.1										
RPM	1725										
FRAME	48YZ				HZ	60			PH	1	
SER.F.	1.25				CODE	J		DES	N	CL	B
NEMA-NOM-EFF	74				PF	80					
RATING	40C AMB-CONT										
CC								USABLE AT 208V	5.4		
DE	6203				ODE	6203					
ENCL	TEFC				SN						
	SFA 9.8/4.9										

AC Induction Motor Performance Data
Record # 7187 - Typical performance - not guaranteed values

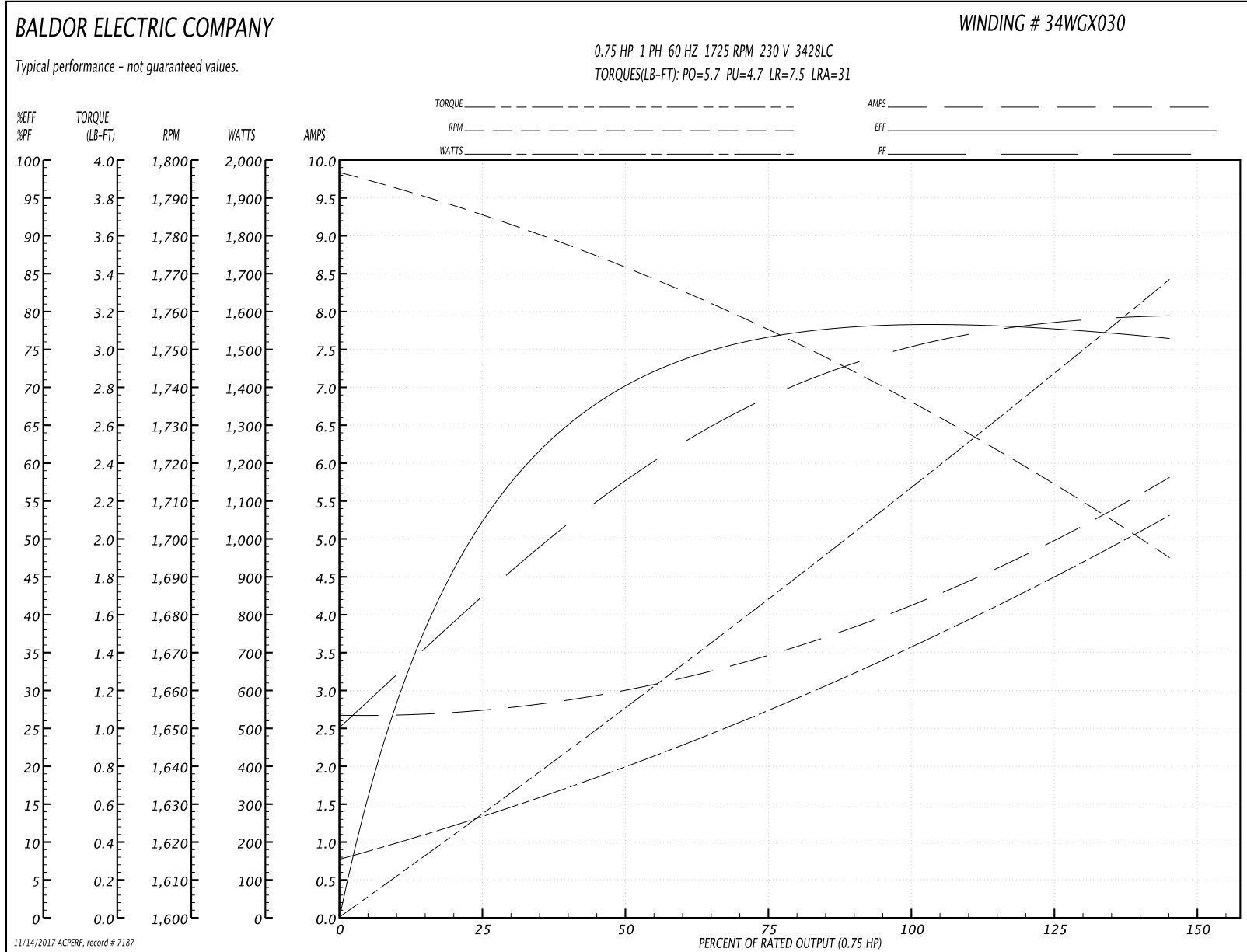
Winding: 34WGX030-R001	Type: 3428LC	Enclosure: TEFC
-------------------------------	---------------------	------------------------

Nameplate Data				230 V, 60 Hz: High Voltage Connection	
Rated Output (HP)	.75			Full Load Torque	2.25 LB-FT
Volts	115/230			Start Configuration	direct on line
Full Load Amps	8.2/4.1			Breakdown Torque	5.7 LB-FT
R.P.M.	1725			Pull-up Torque	4.7 LB-FT
Hz	60	Phase	1	Locked-rotor Torque	7.5 LB-FT
NEMA Design Code	N	KVA Code	J	Starting Current	31 A
Service Factor (S.F.)	1.25			No-load Current	2.7 A
NEMA Nom. Eff.	74	Power Factor	80	Line-line Res. @ 25°C	3.11 Ω A Ph 1.73 Ω B Ph
Rating - Duty	40C AMB-CONT			Temp. Rise @ Rated Load	62°C
S.F. Amps	9.8/4.9			Temp. Rise @ S.F. Load	81°C

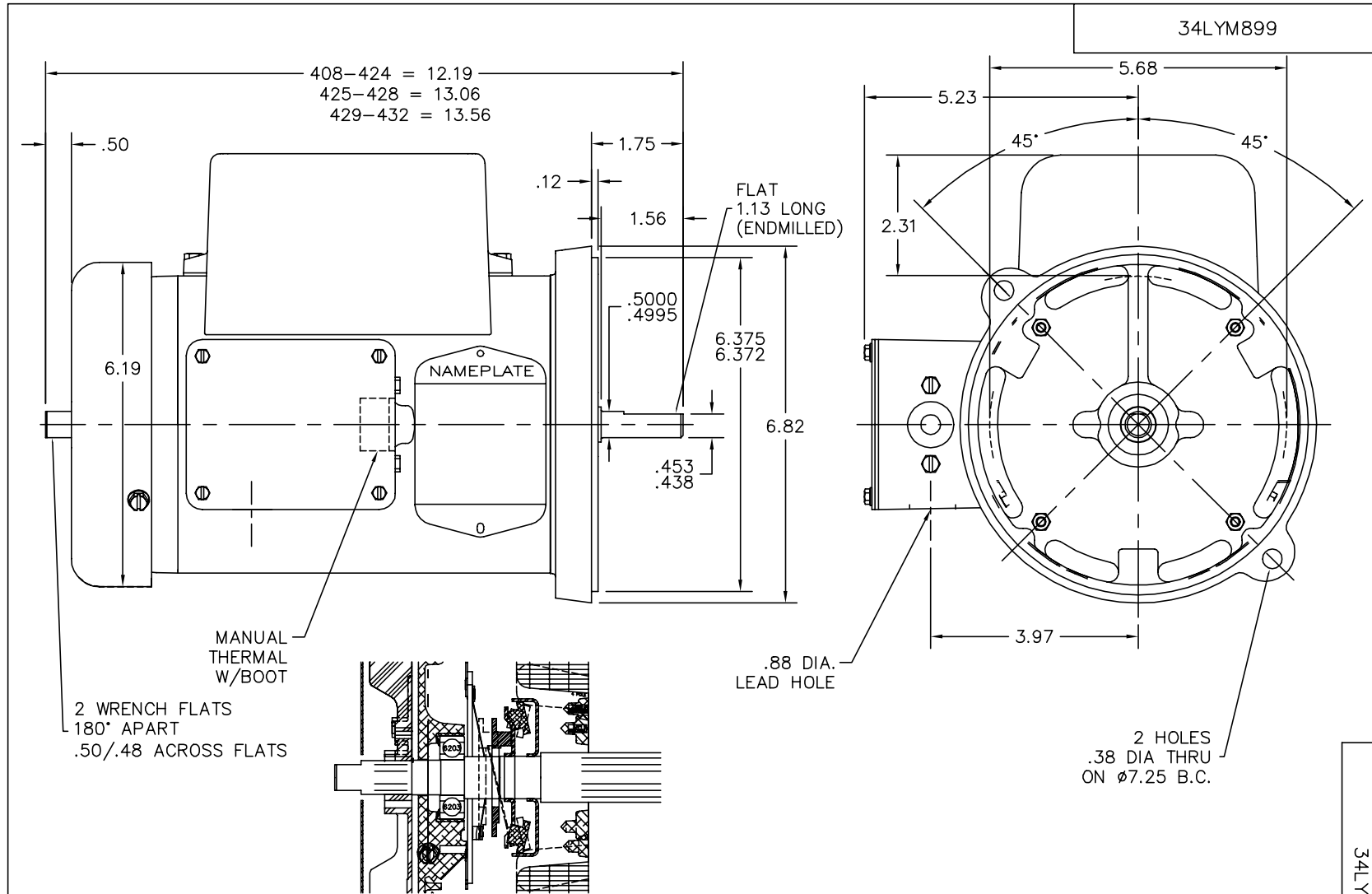
Load Characteristics 230 V, 60 Hz, 0.75 HP

% of Rated Load	25	50	75	100	125	150	S.F.
Power Factor	43	61	72	80	85	87	0
Efficiency	53.6	67.7	73	73.9	93.2	71.4	0
Speed	1784	1770	1755	1739	1717	1694	0
Line amperes	2.7	3	3.5	4.1	4.9	5.8	4.9

Performance Graph at 230V, 60Hz, 0.75HP Typical performance - Not guaranteed values



11/14/2017 ACPERF: record # 7187



CUSTOMER IS RESPONSIBLE FOR DETERMINING THAT BALDOR'S PRODUCT WILL PERFORM SUITABLY IN THE INTENDED APPLICATION.

REV. DESC: NEW		
REV. LTR: -	VERSION: 00	TDR: 000000996385
FILE: \AAA\00231\748	REVISED: 11:52:39 11/23/2016	BY: USGRHUR
MTL: -		

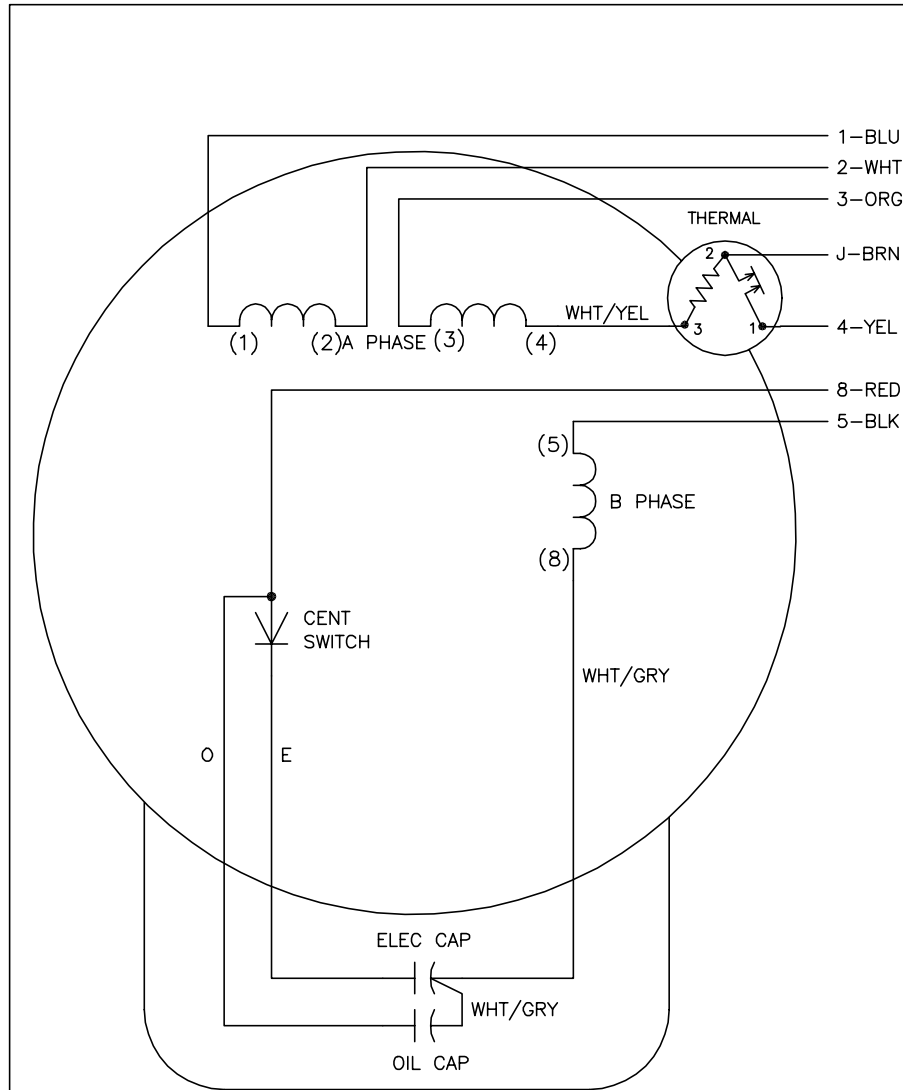
BALDOR

VERT 34L 48YZ TEFC DBL SH,MTO IN KOBX,OVRSPD GUARD,V=1.75

SH 1 of 1

34LYM899

CD0320



	LINE A	LINE B	JOIN	JOIN
HIGH STD	1,8	4	2,3,5	J
HIGH OPP	1,5	4	2,3,8	J
LOW STD	1,3,8	4	-	2,J,5
LOW OPP	1,3,5	4	-	2,J,8

NOTES:

1. STANDARD ROTATION IS CCW FACING END OPPOSITE SHAFT EXTENSION.
2. MULTIPLE CAPACITORS ARE CONNECTED IN PARALLEL UNLESS OTHERWISE SPECIFIED.
3. LEAD COLORS ARE OPTIONAL. LEADS MUST ALWAYS BE NUMBERED AS SHOWN.

CD0320

REV. DESC: ADD INTERNAL CONNECTION TO HELP MANUFACTURING		
REV. LTR: G	VERSION: 01	TDR: 000000941594
FILE: \AAA\00007\422	REVISED: 02:21:00 08/28/2015	BY: ENALEMO
MTL: -	© □	

BALDOR

TYPE LC, DV, REV, THERMAL, B PH AMPS THRU HTR HVC, 7 LEAD

SH 1 of 1