

# High Bay Occupancy Sensor Standard Module

Compatible with all electronic ballasts

Convenient access to digital adjustments

Multiple fixture mounting choices



Modular design with mix and match module, lens and accessories

Flying leads for easy installation

PROJECT

LOCATION/TYPE

## Product Overview

### Description

The HB300, HB330, HB340, HB350, HB340-B and HB350-B sensors control lighting in high mount areas. The sensors turn lights on and off based on occupancy, and install directly to industrial T5 or T8 fixtures via surface mount, a snap-in connector which mounts through a 1/2" knockout with 18" leads to the back box, or optional Extender Module. The modular lenses required to operate (ordered separately) are specially designed to provide reliable coverage from a wide range of mounting heights.

### Operation

The HB sensors utilize Passive Infrared [PIR] technology to sense occupancy. Detection occurs when the HB senses the difference between infrared energy in motion and the background space. Lighting automatically turns on when occupancy is detected. After a user-specified length of time when no occupancy is detected, lighting automatically switches off.

## Features

- Front access to DIP switch settings for time and sensitivity adjustment
- ASIC technology reduces components and enhances reliability
- Pulse Count Processing eliminates false offs without reducing sensitivity
- Detection Signature Analysis eliminates false triggers; provides immunity to RFI and EMI
- LED indicator of occupancy detection for easy verification of coverage
- Utilizes Watt Stopper/Legrand Zero Crossing Circuitry to reduce stress on the relay and increase sensor life
- Compatible with all electronic ballasts
- No leakage to load in off mode for safety

## Modular Design

The HB sensors are modular and are comprised of a line or low voltage sensor module (HB300, HB330, HB340, HB350), a lens (HBL1, HBL1M, HBL3, HBL4) and any mounting accessories needed. Modularity ensures the ability to get exactly the right voltage control and coverage pattern required. Substituting different snap-on lenses during field installation allows customers to easily adapt the HB sensor to any application, or for fixture manufacturers to install the module directly onto the fixture at the plant, leaving the snap-on lens for field installation.

## Applications

The variety of interchangeable lenses for multiple coverage patterns, choice of line or low voltage modules, and accessories that provide alternate installation options give Watt Stopper HB sensors the flexibility to maximize energy savings in most high mount areas or warehouse applications to support sustainable 'green' building practices such as LEED.

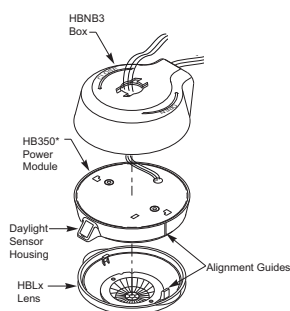


## Specifications

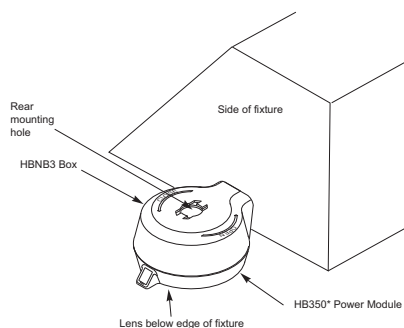
- HB300: 24 VDC
- HB330: 208/240 VAC multi-phase, 60 Hz
- HB340: 347/480 VAC single/multi-phase 60 Hz
- HB350: 120/277 VAC single phase, 60 Hz
- HB340-B: 347/480 VAC single/multi-phase 60 Hz w/Back Box
- HB350-B: 120/277 VAC single phase, 60 Hz w/Back Box
- Time delay adjustable 15 seconds to 30 minutes
- 18" tinned wire leads, 18 AWG
- Dimensions HB3XX Module: 3.93" x .73" (100mm x 18.6mm) Diameter x Height
- Dimensions HB3XX-B w/junction box: 3.93" x 1.91" (100mm x 48.6mm) Diameter x Height
- Dimensions with junction box and lens HB3XX-Lx-B: 3.93" x 2.68" (99.8mm x 68mm) Diameter x Height
- UL and CUL listed; five-year warranty

## Assembly & Mounting

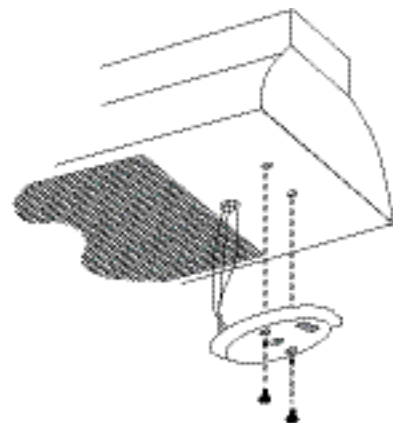
### HB3xx Assembly



### HB3xx Fixture Mount

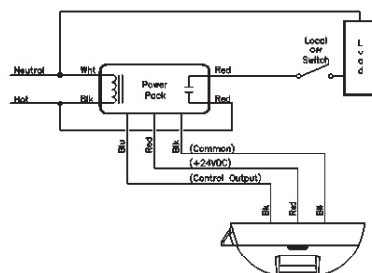


### HB3xx Surface Mount

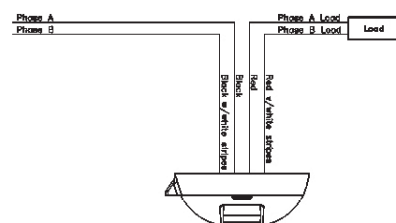


## Wiring & Connections

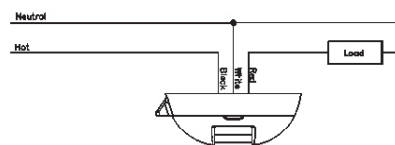
### HB300 Low Voltage Wiring



### HB330 & 340 Wiring



### HB350 Line Voltage Wiring



## Ordering Information

### High Bay Occupancy Sensor Standard Modules

	Catalog No.	Description	Voltage	Load Capacity
	<input type="checkbox"/> HB300	HB Standard Module Only	24 VDC/VAC	Consumes 16 mA (use WS Power Pack)
	<input type="checkbox"/> HB330	HB Standard Module Only	208/240 VAC	0-1200 W Ballast
	<input type="checkbox"/> HB340	HB Standard Module Only	347/480 VAC	0-1200 W Ballast
	<input type="checkbox"/> HB350	HB Standard Module Only	120/277 VAC	0-800 W Ballast and tungsten or 0-1200 W Ballast or 1/6 hp
	<input type="checkbox"/> HB340-B	HB Stand. Module w/Back Box	347/480 VAC	0-1200 W Ballast
	<input type="checkbox"/> HB350-B	HB Stand. Module w/Back Box	120/277 VAC	0-800 W Ballast and tungsten or 0-1200 W Ballast or 1/6 hp

- PLEASE NOTE:**
1. For a complete working system, separately order the correct lens for your application (see Lenses cut sheet).
  2. When preparing P.O., order parts as separate line items (e.g., HB350, HBL1, HBEM3)
  3. Parts shipped separately.