

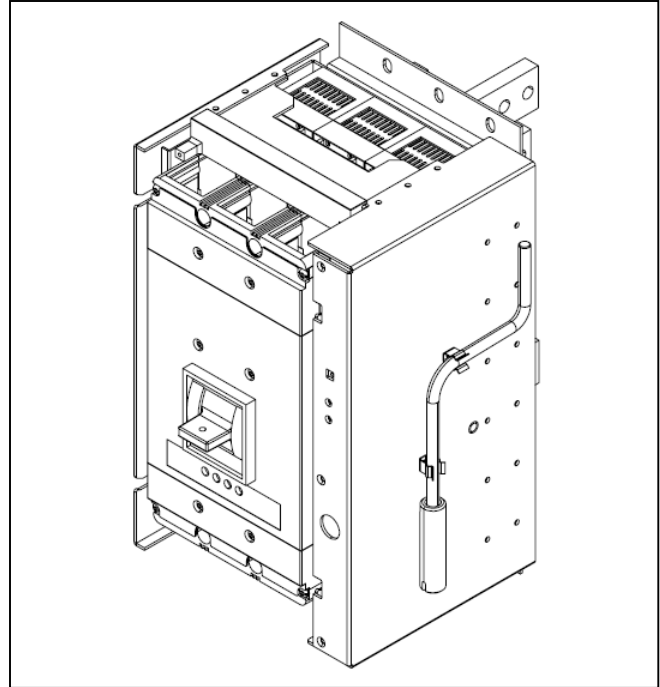
Instruction Leaflet for Drawout Cassette for NG Frame Circuit Breakers



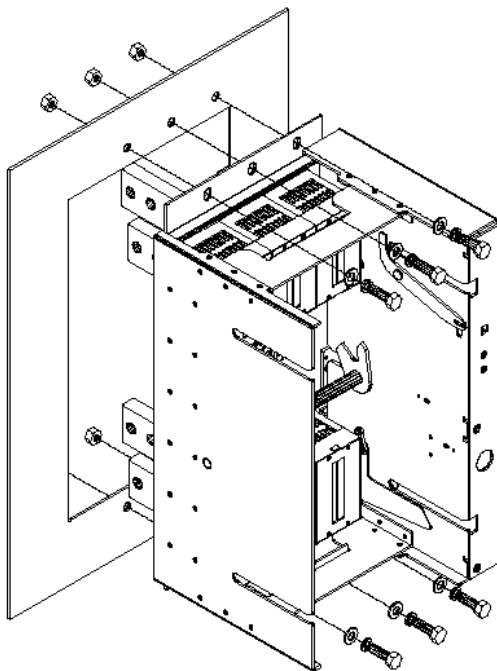
WARNING

DO NOT ATTEMPT TO INSTALL OR PERFORM MAINTENANCE ON EQUIPMENT WHILE IT IS ENERGIZED. DEATH, SEVERE PERSONAL INJURY OR SUBSTANTIAL PROPERTY DAMAGE CAN RESULT FROM CONTACT WITH ENERGIZED EQUIPMENT. ALWAYS VERIFY THAT NO VOLTAGE IS PRESENT BEFORE PROCEEDING WITH TASK AND ALWAYS FOLLOW GENERALLY ACCEPTED SAFETY PROCEDURES.

EATON ELECTRICAL IS NOT LIABLE FOR THE MISAPPLICATION OR INSTALLATION OF ITS PRODUCTS.



1 Installation of Stationary Frame

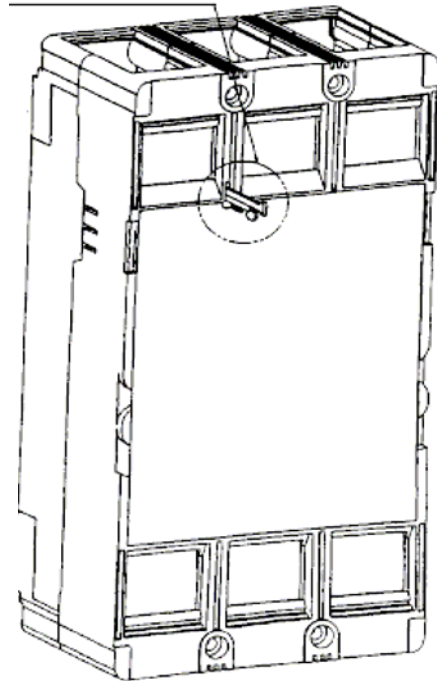


The stationary frame may be mounted on a panel or to horizontal support members. Refer Fig. 2 for cutout and drilling plan.

Mounting stationary frame to mounting panel or Support by means of M10 mm screws, washers and nuts provided. Torque to 20 N.m (15 ft-lbs).

4 Assemble Plug-in Interlock

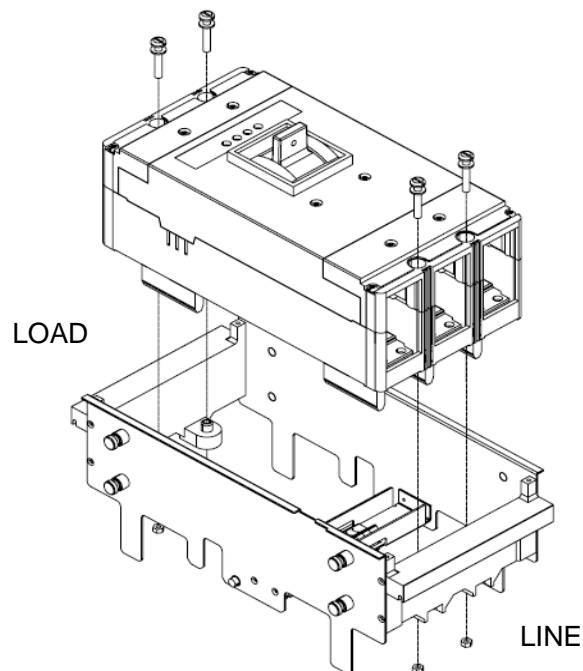
Plug-in Interlock



The plug-in interlock provides a means to automatically trip the breaker used in a drawout frame, while it is being withdrawn with the moving frame.

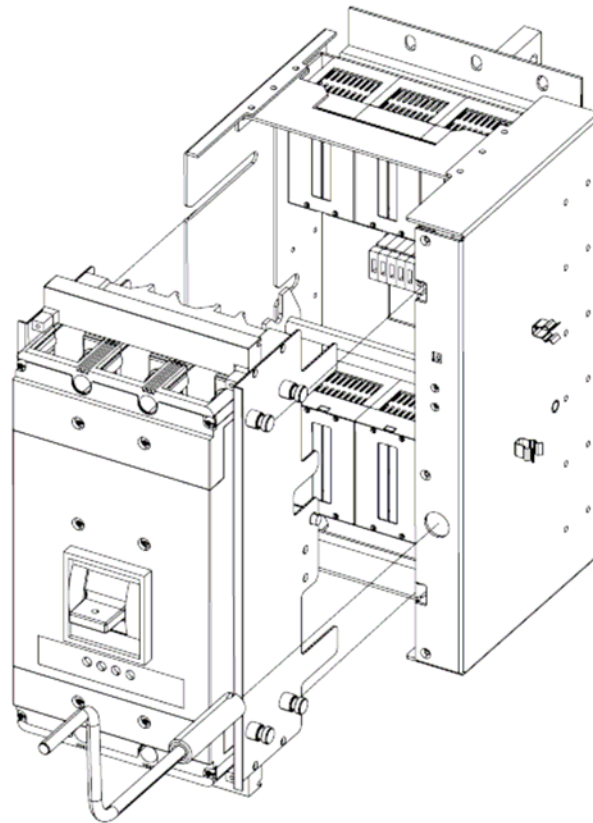
See IL01210001E for information and installation procedure.

5 Installation of Breaker into Moving Frame Assembly



Torque Screws to 3.2 N.m
(28 lb-in)

6 Operating Instruction



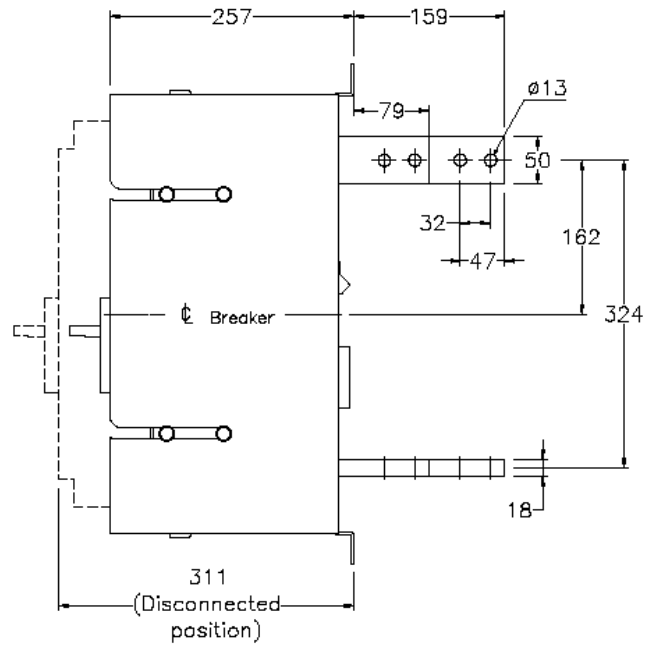
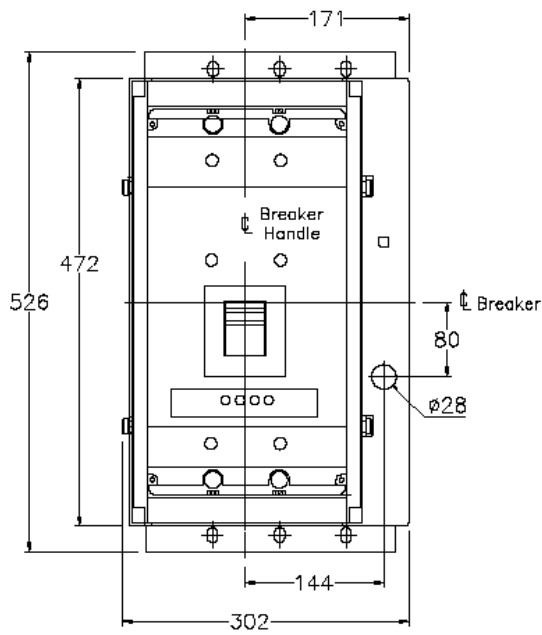
- Insert the moving breaker frame assembly into the guide slots on the sides of the stationary frame until it reaches the stopped position.
- Insert the crank lever into the spindle socket on the side of the stationary frame and then rotate it clockwise until the moving frame is drawn into the stationary frame to the connected position.
- The secondary contacts are used for accessory connections. It consists of a moving assembly mounted onto the stationary frame of the cassette and a fixed assembly mounted onto the moving frame. The fixed and moving secondary contacts will be self-aligning and connecting when the breaker moves to the connected position.
- To rack the breaker from the connected position to the disconnected position, insert the crank lever into the spindle socket on the side of the stationary frame, and rotate it counterclockwise until the moving frame assembly detaches from the stationary frame and moves to the disconnected position.

-

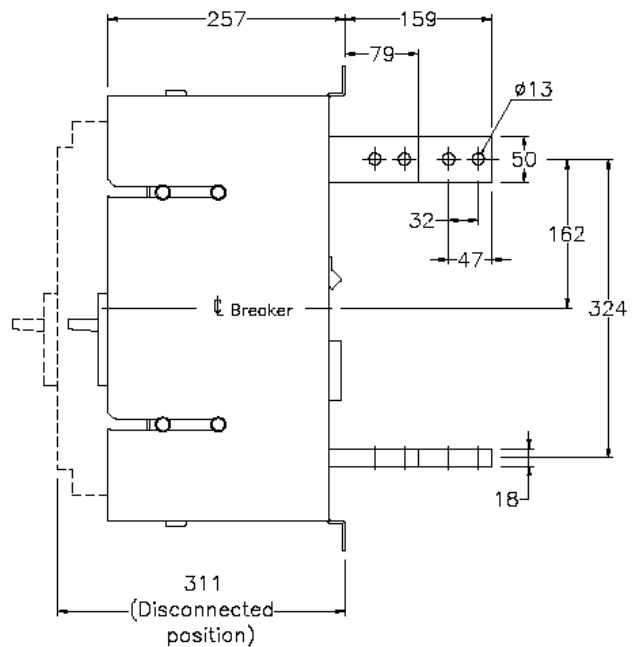
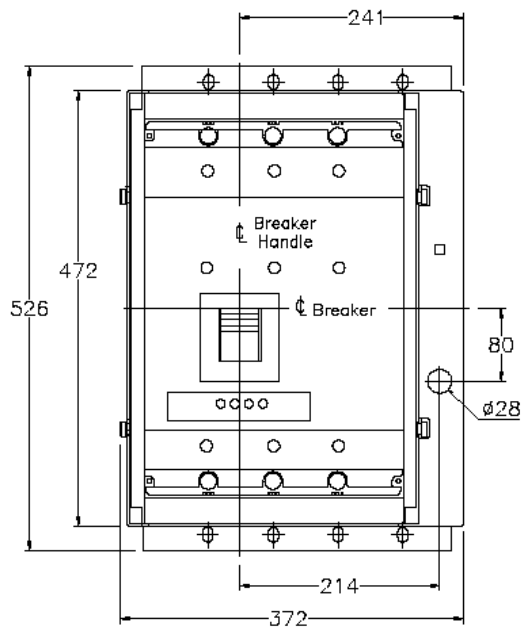
NOTE

- If the connected position is not reached, the plug-in interlock will not release the breaker trip latch, and the breaker cannot be operated.
- Before closing the breaker, remove the crank lever and store it in the clips provided on the side of the stationary frame.

7 Outline Dimensions - mm



For 3 Pole



For 4 Pole