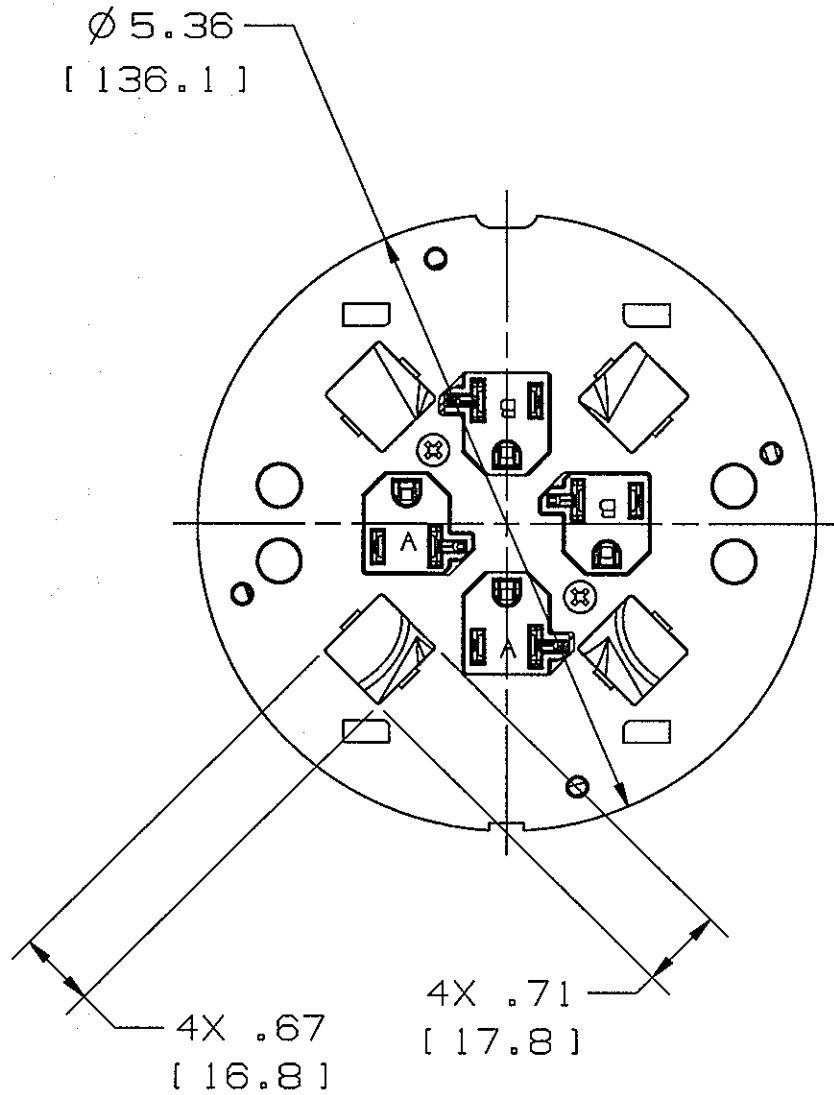


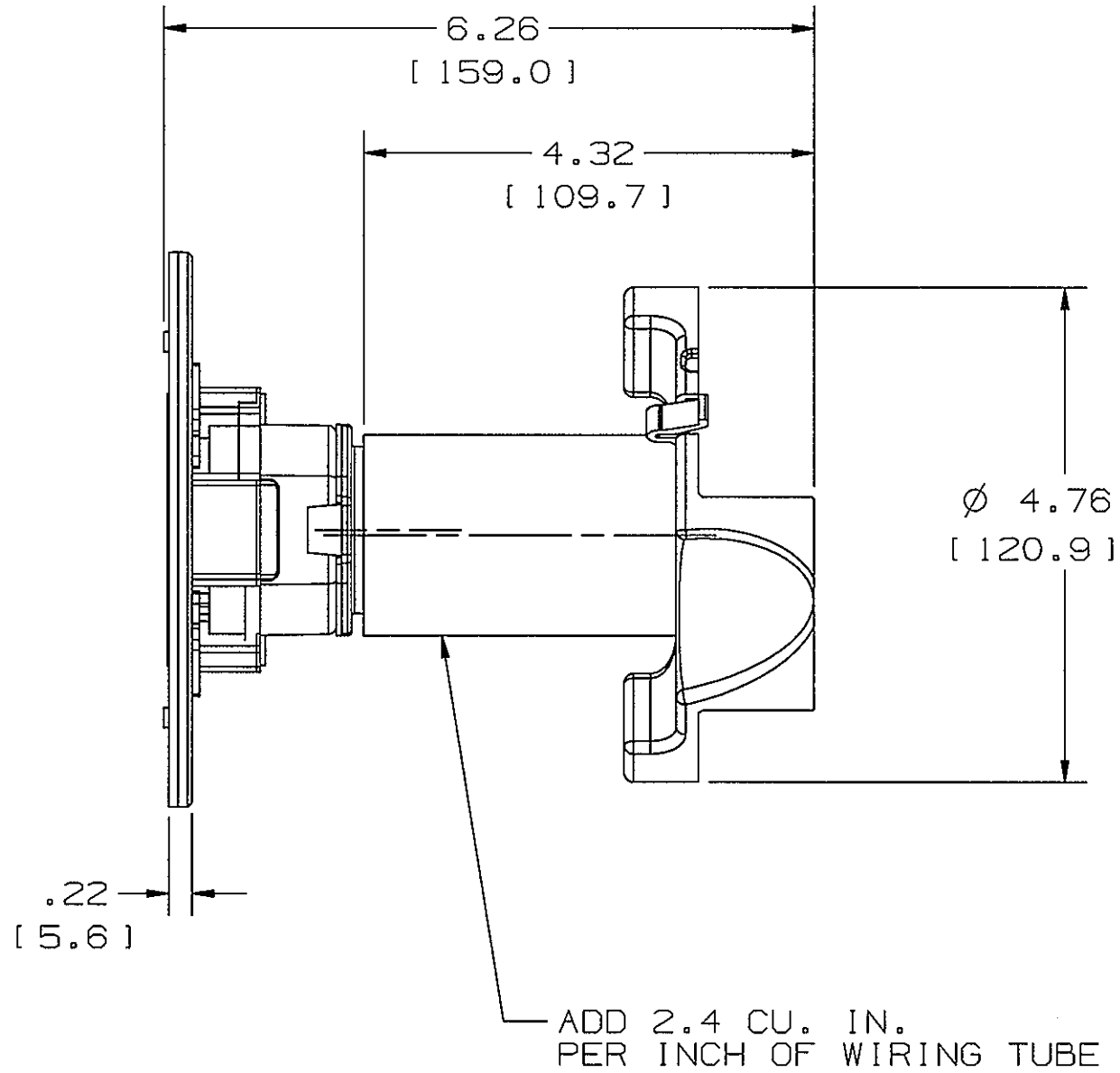
NOTES

1. SEE INSTALLATION INSTRUCTIONS FOR PLACEMENT OF CONTROLLED LABELS.
2. RECEPTACLE PRE-WIRED WITH (6) #14 AWG 24" LONG WIRES
3. DIMENSIONS IN INCHES [MM].



M-9536

4



S1SP4X4SYS SHOWN

CATALOG NO.	RECEPTACLE MARKING
S1SP4X4SYS	-
1 S1SP4X4SYSC	CONTROLLED STICKER

LIST OF PARTS

DESCRIPTION	MATERIAL	FINISH
(2) SCREW #6-32	STN. STL.	
SUB PLATE 4X4 SYSTEMAX	CAST ALUM.	BLACK
RECEPTACLE ASM.		
INSULATOR, FIRE BARR.	FB 525	GRAY
INSULATOR	THERMOSET	BLACK
WIRING ENCLOSURE	THERMOPLASTIC	GRAY
INSULATOR PLATE	GALV. CRS	
(6) I.G. STICKER	POLYESTER	WHITE

SYM	REVISIONS	APP	DATE
4	ADDED TABLE, ADDED BASE CAT NO. SHOWN, ADDED NOTES 1 THRU 3 PER DCN 21884. MYA	DJP	3/17/16
3	ADDED (6) I.G. STICKER PER DCN 13943 SPN	CAC	5/18/07
2	ADDED 4X .66 [16.8], 4X .70 [17.8], ADD 2.4 CU. IN. PER INCH NOTE, RECEPTACLE PRE-WIRED NOTE, REVISED TITLE BLOCK FOR SYSTEM ONE. PER DCN 12261 TLS.	TLS	3-5-08
1	DCN11999 INITIAL RELEASE	TLS	11-8-04

THE DESIGN AND DIMENSIONS OF THE PRODUCT SHOWN ON THIS DRAWING ARE SUBJECT TO CHANGE WITHOUT NOTICE

TITLE  
SYSTEM ONE  
SUB PLATE ASSEMBLY  
4X4 SYSTEMAX, 20A 125V

TOLERANCES UNLESS OTHERWISE SPECIFIED	WIRING DEVICE-KELLEMS HUBBELL INCORPORATED SHELTON, CT	
.XX = ±.01	DR. BY PAC	APP. BY TLS
.XXX = ±.005	TR. BY	SCALE NONE
ANGLES = ±2°	CHK. BY TLS	DATE 9-21-04