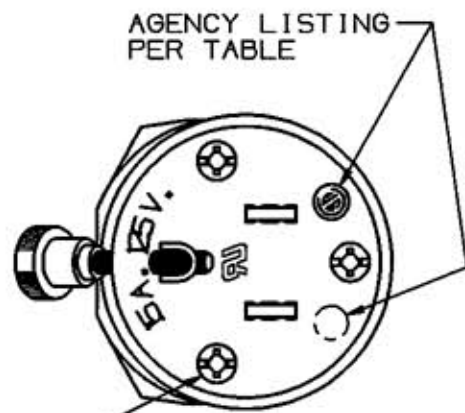
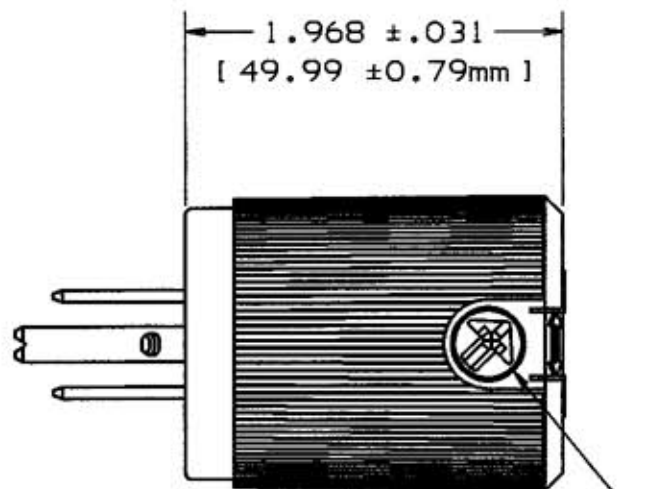


M-7153 6

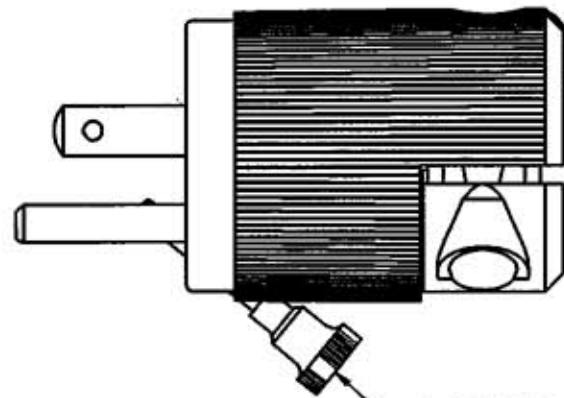


AGENCY LISTING PER TABLE

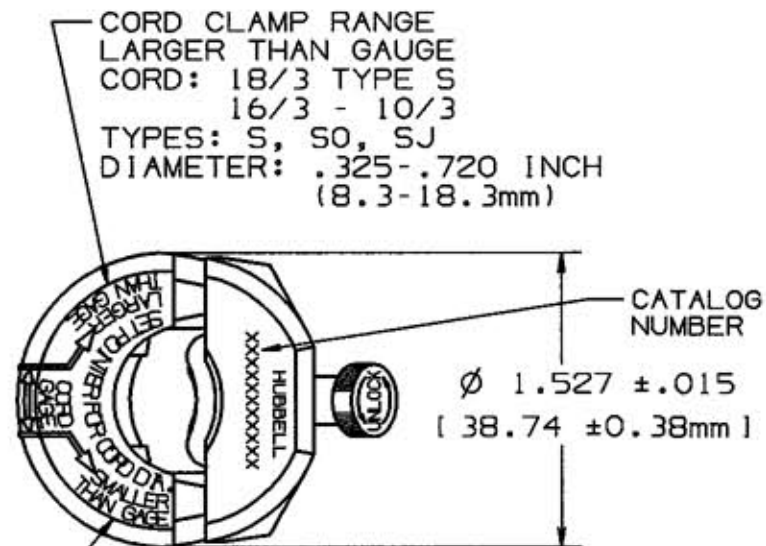
ALL SCREWS ARE COMBINATION ROBERTSON/PHILLIPS/SLOTTED HEAD



INTEGRAL VARISIZE[®] INSERT



LOCKING SCREW



CORD CLAMP RANGE SMALLER THAN GAUGE
CORD: 18/3 - 16/3
TYPES: SV, SJ
DIAMETER: .230-.360 INCH (5.8-9.1mm)

CHEM-MARINE CAT. NO. (YELLOW COVER) & INSERT	CAT. NO. (BLACK COVER) & INSERT	CONFIGURATION	RATING	U.L. RECOGNIZED	CSA
HBL52CM80C	HBL5280C	NEMA 5-15P	15A. 125V.	YES	YES

LIST OF PARTS		
DESCRIPTION	MATERIAL	FINISH
BLADE HOLDER	NYLON	NATURAL
RETAINER	POLYCARBONATE	CLEAR
COVER	NYLON	
CORD CLAMP	NYLON	NATURAL
WIRE CLAMP	.062 CRS	NICKEL PL
INSERT	NYLON	
KNOB (LOCKING SCREW)	NYLON	NATURAL
CONTACT BLADES	.060 BRASS	*
GND CONTACT BLADES	.040 BRASS	
BINDING SCREWS	BRASS	*
GND HEX HEAD BINDING SCREW	BRASS	GREEN
LOCKING SCREW	STAINLESS STEEL	PASSIVATE
CORD CLAMP SCREWS	STEEL	ZINC PL
ASSY SCREWS	STEEL	ZINC PL

* WHITE FINISH ON NEUTRAL PARTS WHEN USED
NOTE: ON "CM" DEVICES, STEEL PARTS ARE MADE OF BRASS OR STAINLESS STEEL AND ALL BRASS PARTS ARE .0003 NICKEL PLATED.

SYM	REVISIONS	APP	DATE
6	IN LIST OF PARTS, "POLYCARBONATE WAS "LEXAN"; PER DCN #8996. JMN	CJC CSE	2/18/02
5	ADDED HBL TO MARINE CAT. NO, CHANGED SCREWS TO TRI-DRIVE PER DCN #7773. AMZ	DB	7/20/00
4	"U.L. RECOGNIZED" IN TABLE WAS "UR"; ADDED UR LOGO TO TABLE & FACE OF DEVICE; DELETED UL LOGO FROM FACE OF DEVICE PER DCN #3255. JMN	ZIMM 3/3	3/2/95

THE DESIGN AND DIMENSIONS OF THE PRODUCT SHOWN ON THIS DRAWING ARE SUBJECT TO CHANGE WITHOUT NOTICE

TITLE INSULGRIP[®] 2 POLE 3 WIRE GROUNDING STRAIGHT BLADE PLUG

TOLERANCES UNLESS OTHERWISE SPECIFIED	WIRING DEVICE-KELLEMS HUBBELL INCORPORATED BRIDGEPORT, CT	
FRACTIONS ±1/64	DR. BY RCM	APP. BY VFL
DECIMALS ±.005	TR. BY	SCALE \neq
ANGLES ±2°	CHK'D BY ZIMM	DATE 7/12/93

DIMENSION SHEET FOR CAT. NO. M-7153 6
 SEE TABLE
 REPAIRABLE NON-REPAIRABLE
 B
 M-7153
 6