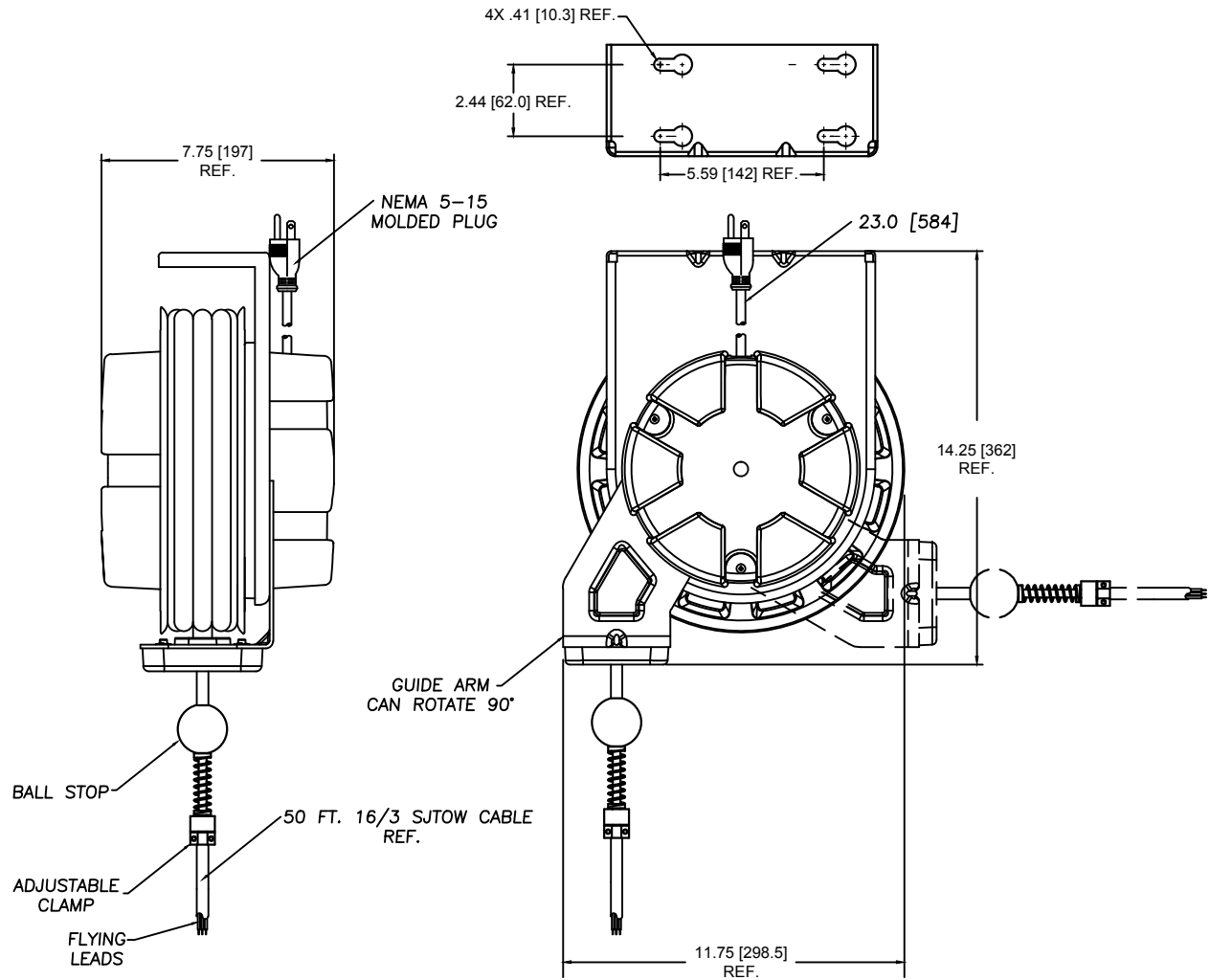


| | |
|-----------------------|--------------------|
| ORDER NO. | 130091-0013 |
| WOODHEAD ENG. NO. | 980 |
| WIRE GAUGE | 16 |
| CONDUCTORS | 3 |
| AMPERAGE | 8A |
| CORD LENGTH | 50 FT [15.24 M] |
| CORD TYPE | SJTOW |
| CONSTRUCTION | SHEET METAL |
| PAINT | YELLOW POWDER COAT |
| REEL ENCLOSURE RATING | INDOOR |
| RETRACTION WEIGHT | 3.0 LB [1.4 KG] |



- NOTES:
1. CABLE GUIDE IS ADJUSTABLE - DUAL POSITION
 2. RATCHET LOCK IS EASY TO DISENGAGE FOR CONSTANT TENSION.
 3. REEL CANNOT BE "LOCKED OUT" AT FULL TENSION.
 4. BALL STOP INCLUDED

| | | | | | | | | |
|---|--------------------------------|--|-------|-------------------|---|--------------------------|------------------------|--|
| RELEASE SALES DRAWINGS EC NO: WNA2012-0035 DRWN: MCHOJECK 2011/07/18 CHKD: DT APPR: DTITUS 2011/09/02 | QUALITY SYMBOLS | GENERAL TOLERANCES (UNLESS SPECIFIED) | | DIMENSION STYLE | SCALE | DESIGN UNITS | THIRD ANGLE PROJECTION | |
| | $\nabla = 0$ $\nabla C = 0$ | mm | INCH | IN/MM | NTS | INCH | | |
| | | 4 PLACES | ±--- | ±--- | DRAWN BY DATE | TITLE | | |
| | | 3 PLACES | ±--- | ±.005 | MCHOJECK 2011/07/18 | CORD REEL 50' #16-3 CORD | | |
| | 2 PLACES | ±0.13 | ±.010 | CHECKED BY DATE | --- | | | |
| | 1 PLACE | ±0.25 | ±.020 | DT 2011/07/18 | --- | | | |
| | | ANGULAR ±1/2° | | APPROVED BY DATE | --- | | | |
| | | DRAFT WHERE APPLICABLE MUST REMAIN WITHIN DIMENSIONS | | DTITUS 2011/09/02 | Molex MOLEX INCORPORATED | | | |
| | | | | MATERIAL NO. | DOCUMENT NO. | SHEET NO. | | |
| | | | | 1300910013 | SD-130091-005 | 1 OF 1 | | |
| | | | | SIZE A | THIS DRAWING CONTAINS INFORMATION THAT IS PROPRIETARY TO MOLEX INCORPORATED AND SHOULD NOT BE USED WITHOUT WRITTEN PERMISSION | | | |