

Net-Access™ S-Type Dynamic Cabinets – 42 RU

specifications

The Net-Access™ S-Type Dynamic Cabinets shall consist of a welded and assembled steel frame construction available in 700mm (27.6") width, 1220mm (48.0") depth, and 42 RU height. The cabinet shall have dual horizontal reinforcement beams on each side with side latching side panels. The top of cabinet includes molded edge protection and snap-in covers, and pre-installed in cable entry openings to prevent air leakage. Cabinets shall include front single hinge doors with 69% open perforation and split rear perforated door. Cabinets shall have fixed rails in the front with an integral air dam with 12 covered cable pass through openings. The rear adjustable rails have provisions for rear cable management fingers that are included. Cabinet shall have two sets of PDU brackets. The entire cabinet shall be fully electrically bonded, including equipment rails, doors, and side panels. Single point bonding locations shall be available at the top and bottom of each cabinet. Cabinets shall have a 1360kg (3000 lbs.) load rating, and 907kg (2,000 lbs.) dynamic rating.



technical information

| | |
|------------------------|---|
| Dimensions: | 700mm W (27.6") x 1220mm D (48.0") x 2026mm H (79.8") |
| Rear rail span: | 5.6" (141mm) to 21.0" (532mm) and 23.0" (538mm) to 42.7" (1085mm) |
| Material: | Steel with durable black polyester epoxy powder coat finish |
| Compliance: | EIA-310-E TIA/EIA-942 UL2416 |
| Packaging: | Cabinet ships assembled, one per pallet, optional ramp shipped in upright position attached to pallet |

key features and benefits

| | |
|---|--|
| Heavy-duty reinforced structure | Allows safe transportation of up to 2,000 lb. (907 kg) of electronic equipment from an installation site to the data center |
| Thermal efficiency | Integral blanking panels and cabinet sealing features reduce bypass air and mixing of cold air and exhaust air within the cabinet for improved thermal efficiency |
| Total air sealing | Panduit cabinets, thermal ducting, cool boot product, blanking panels, blanking foam strips, and blanking shade provide a complete thermal and sealing solution (parts sold separately) |
| Dynamic Pallet Ramp | Provides a safe method for unloading the cabinet from the pallet upon arrival at the installation site |
| Aesthetics | N-Type and S-Type cabinets can be ganged together for complete streamlined appearance improving data center aesthetics |
| Rapid deployment | Integrated casters to provide easy roll to position; cable management ready rails included help speed deployment; easily adjustable rear rails can be quickly repositioned; heavy duty leveling legs can be accessed from top or bottom for fast deployment |
| Modular cable management fingers | Provides bend radius control for each rack unit and can be positioned where required on cabinet posts for cable protection for increased network availability; provides design flexibility, scalability, and improved aesthetics for easier moves, adds, and changes |
| Bonding | Cabinets and accessories are single-point bonded, providing a safe and reliable network while reducing installation costs |
| Durable coating | Cabinets are powder coated in a durable, low maintenance polyester epoxy paint in black (RAL9005) |

applications

The Net-Access™ S-Type Dynamic Cabinet is designed to allow the cabinet to be installed with equipment at one facility and be safely shipped to another location. This is the ideal cabinet for system integrators or Value Added Resellers (VARs), as it allows the equipment to be pre-installed, cabled and

ready for quick deployment. The heavy duty reinforced frame and shock pallet has been tested and approved to support the additional weight of equipment. The optional re-useable ramp allows the cabinet to be easily unloaded from the pallet.

Net-Access™ S-Type Cabinets Dynamic Cabinets with Shock Pallet and Ramp

Single hinge perforated front door, split perforated rear door, solid split latching side panels (2), casters, PDU brackets (2 sets), cage nut rails (2 sets): S7222BDHRSP

Single hinge perforated front door, split perforated rear door, no side panels, casters, PDU brackets (2 sets), cage nut rails (2 sets): S7229BDHRSP

Net-Access™ S-Type Cabinets Dynamic Cabinets with Shock Pallet Only

Single hinge perforated front door, split perforated rear door, solid split latching side panels (2), casters, PDU brackets (2 sets), cage nut rails (2 sets): S7222BDHSP

Single hinge perforated front door, perforated rear door, no side panels, casters, PDU brackets (2 sets), cage nut rails (2 sets): S7229BDHSP

Accessories

Dynamic pallet ramp: SNDSRMP

Three digit combination lock with key: CCL3

Cool Boot® Cabinet Top Air Sealing Fitting for 6.5 x 6.5 cabinet top opening: CTGN6X6

Cool Boot® Cabinet Top Air Sealing Fitting for 3.5 x 5 cabinet top opening: CTGN3X5

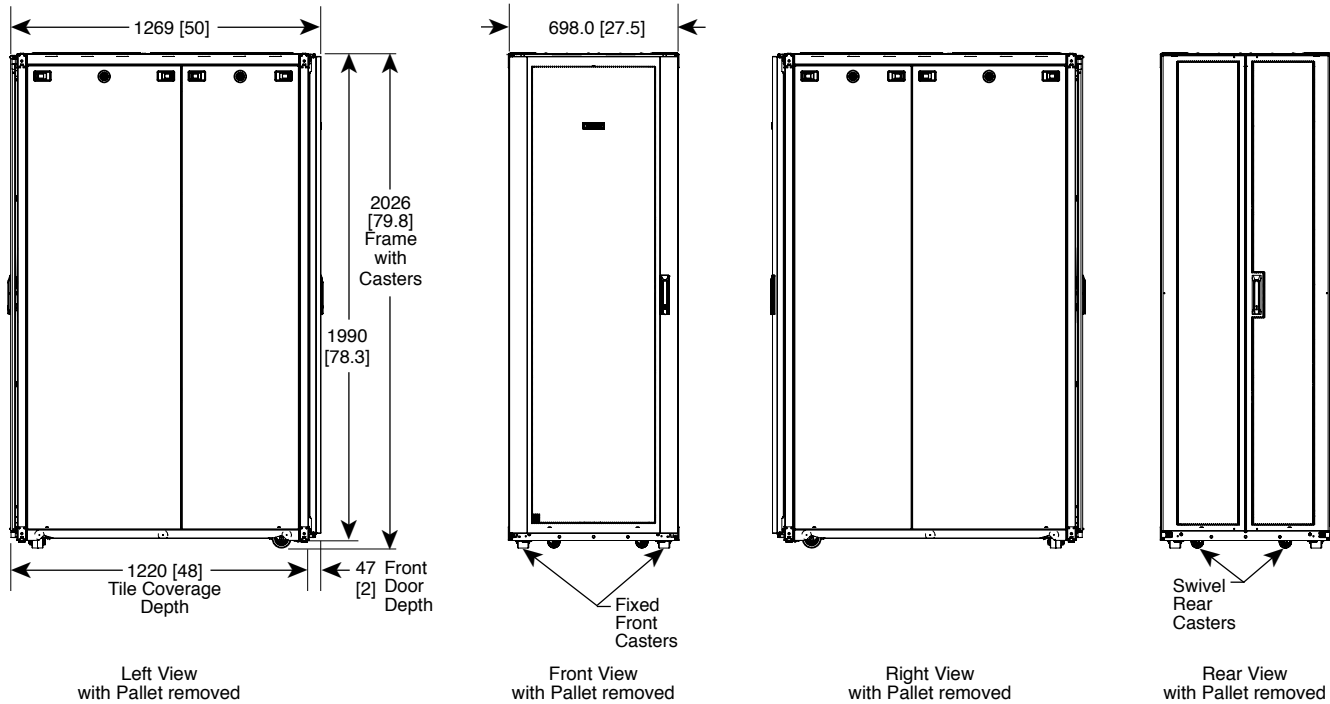
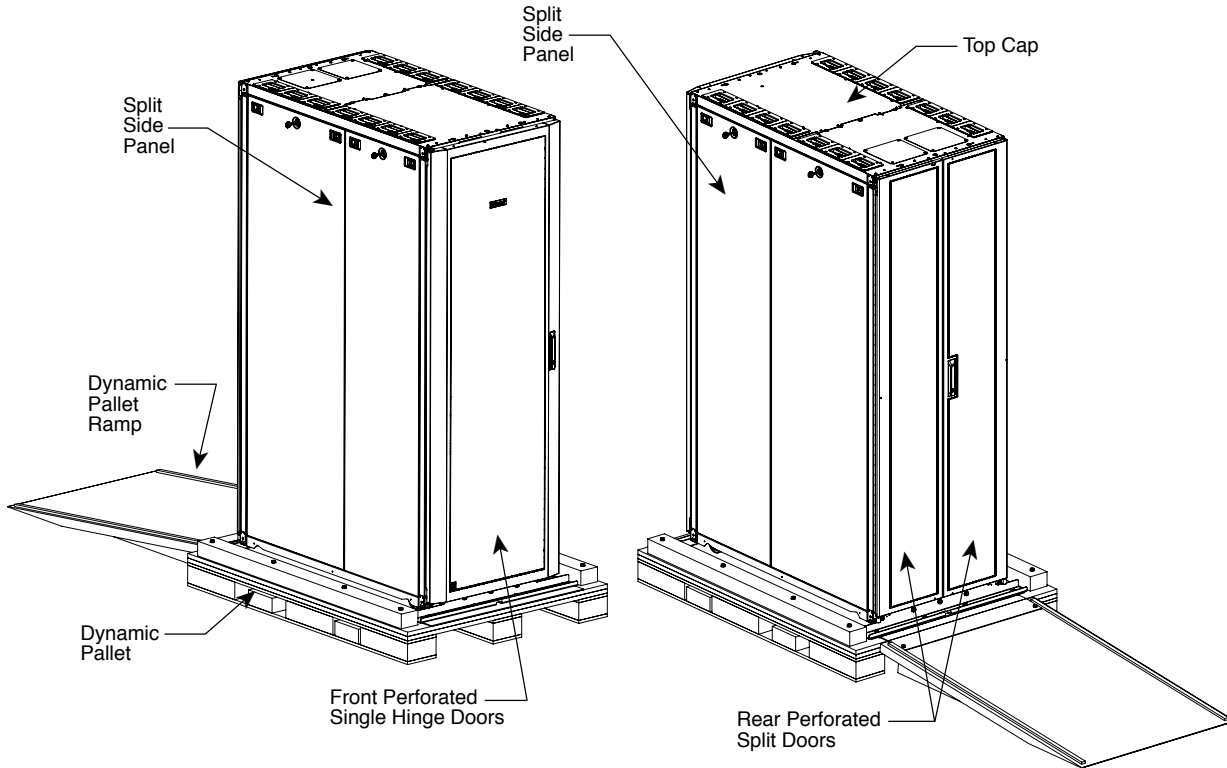
Cabinet top cable protection bezel for 6.5 x 6.5 cabinet top opening: CTNBZL6X6

Cabinet top cover and cable protection bezel for 3.5 x 5 cabinet top opening: CTCN3X5

Cabinet top cover and cable protection bezel for 1.25 x 4.75 vertical air dam opening: CVPTB1X4

Net-Access™ S-Type Dynamic Cabinets – 42 RU

42 RU dynamic cabinet dimensions



Dimensions are in inches. [Dimensions in brackets are metric].

WORLDWIDE SUBSIDIARIES AND SALES OFFICES

PANDUIT CANADA
Markham, Ontario
cs-cdn@panduit.com
Phone: 800.777.3300

PANDUIT EUROPE LTD.
London, UK
cs-emea@panduit.com
Phone: 44.20.8601.7200

PANDUIT SINGAPORE PTE. LTD.
Republic of Singapore
cs-ap@panduit.com
Phone: 65.6305.7575

PANDUIT JAPAN
Tokyo, Japan
cs-japan@panduit.com
Phone: 81.3.6863.6000

PANDUIT LATIN AMERICA
Jalisco, Mexico
cs-la@panduit.com
Phone: 52.33.3777.6000

PANDUIT AUSTRALIA PTY. LTD.
Victoria, Australia
cs-aus@panduit.com
Phone: 61.3.9794.9020

For a copy of Panduit product warranties, log on to www.panduit.com/warranty

For more information

Visit us at www.panduit.com

Contact Customer Service by email: cs@panduit.com
or by phone: 800-777-3300



©2016 Panduit Corp.
ALL RIGHTS RESERVED.
RKSP159--WW-ENG
3/2016