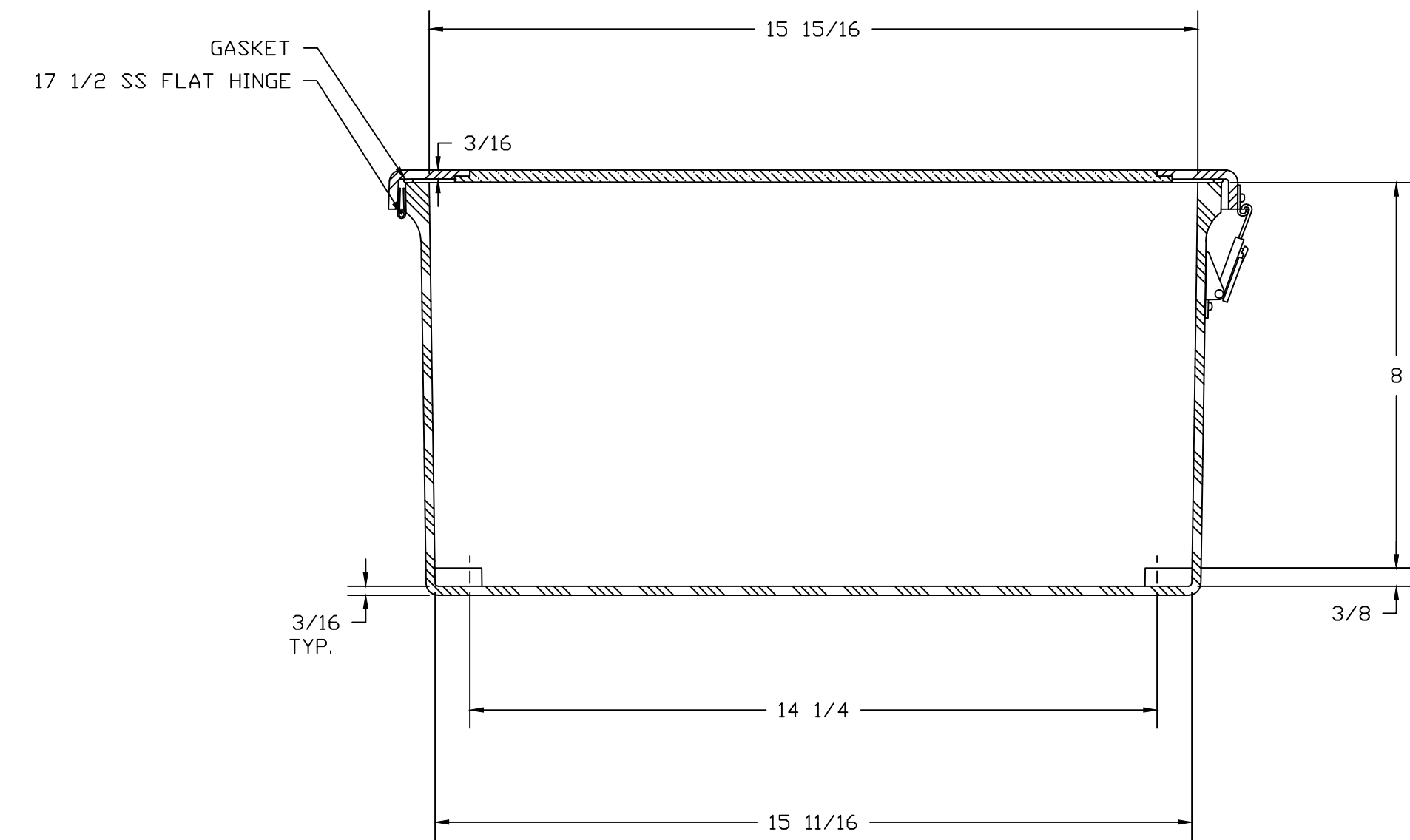
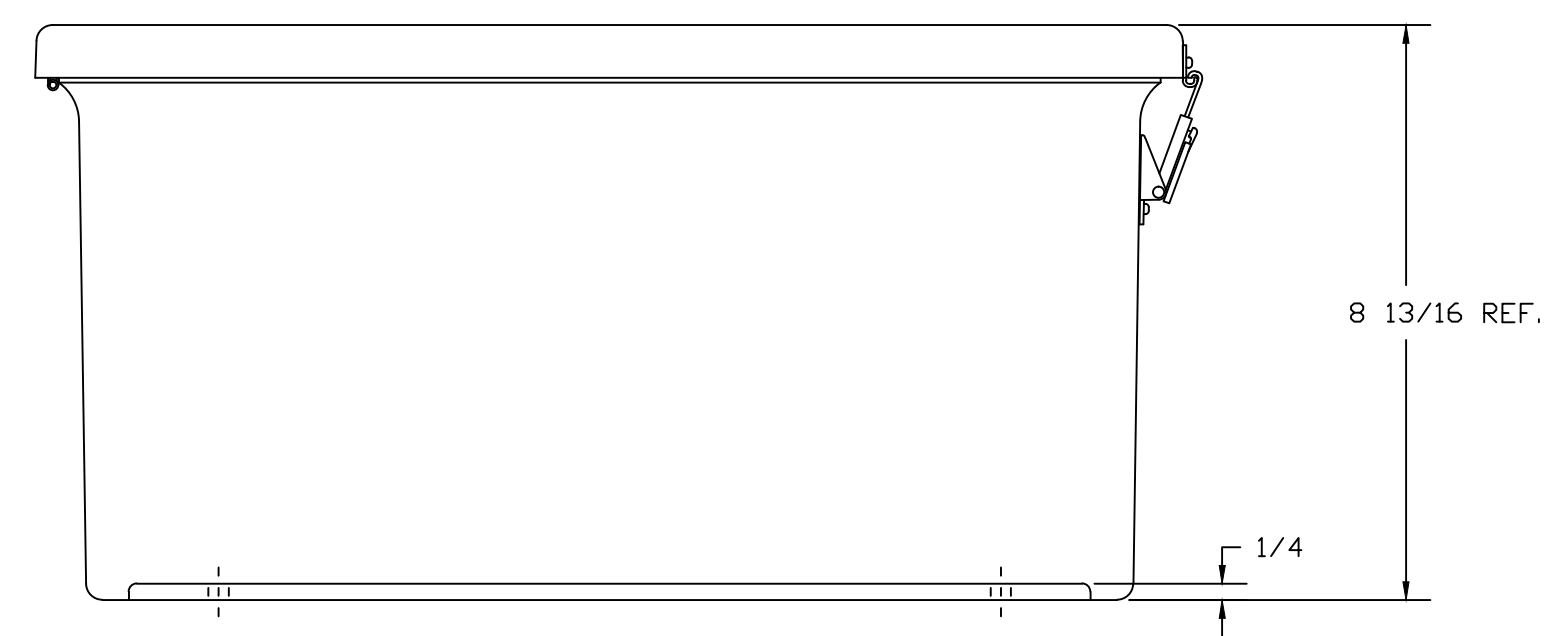



SECTION B-B



SECTION A-A

NOTES:

NEMA 4X		TOLERANCES UNLESS SPECIFIED		DECIMAL ± .010	FRACTIONAL ± 1/32
COLOR GLACIER GRAY RR1013					
MATERIAL	F.R. POLYESTER FIBERGLASS	DR. BY	SH	DATE	8/20/91
LET.	REVISION RECORD	DATE	BY	CHK. BY	CHD.
		APD. BY	DATE	CUSTOMER	
		SCALE	DO NOT SCALE	PART NAME	ENCLOSURE
				PART NO.	JW1816HLL


 BELDING, MICHIGAN 48809  
 AutoCAD DWG. FILE JW1816HLL