

6

5

4

3

2

1

E

E

D

D

C

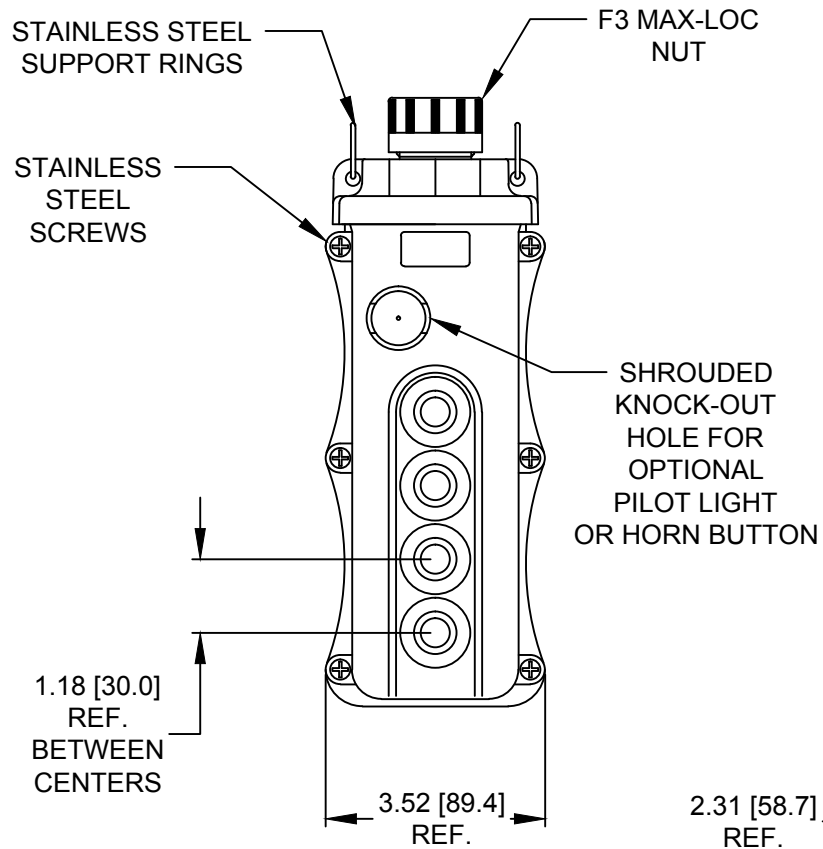
C

B

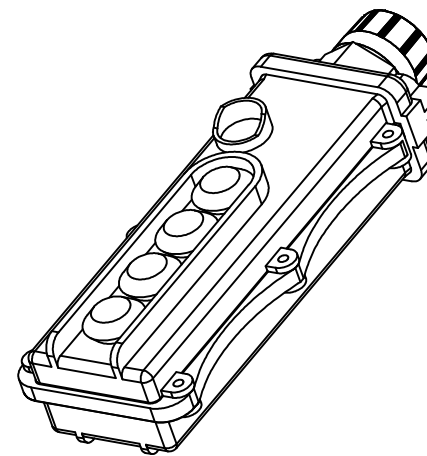
B

A

A



9.77 [248.2] REF.



ORDER NO.	WOODHEAD NO.	SPEED SWITCHES
1301260249	5054-1M*	1
1301260252	5054-2M*	2
1301260255	5054-3M*	3
1301260248	5054-1	1
1301260251	5054-2	2
1301260254	5054-3	3
1301260250	5054-1N*	1
1301260253	5054-2N*	2
-----	5054-3N*	3

*M = WITH MOMENTARY ON/OFF SWITCHES
 N = WITH MAINTAINED ON/OFF SWITCHES

NOTES:

- PENDANT HOUSING: POLYCARBONATE
- COMMON CIRCUIT IS PRE-WIRED ON ALL SWITCHES TO SIMPLIFY WIRING
- EASILY REMOVABLE BUTTON HOODS AND NAMEPLATES
- CORD DIAMETER: .375 TO .812 [9.53 TO 20.63]
- UL FILE NO.:E70531
- INSTALLATION INSTRUCTIONS, BUTTON ID, AND LABELS ARE PACKED WITH PART
- ALL BUTTONS ARE HIGH AMBIENT, CHEMICALLY RESISTANT MATERIAL

RELEASE SALES DRAWING EC NO: IPC2016-0371 DRWN: KCOX01 2015/09/04 CHKD: HKNEELAN 2015/09/04 APPR: JFMURPHY 2015/09/29	DESCRIPTION REV A	QUALITY SYMBOLS $\nabla=0$ $\sphericalangle=0$	GENERAL TOLERANCES (UNLESS SPECIFIED)		DIMENSION STYLE INCH/MM	SCALE NTS	DESIGN UNITS INCH	THIRD ANGLE PROJECTION			
		4 PLACES \pm --- \pm ---	mm \pm --- \pm ---	INCH \pm --- \pm ---	DRAWN BY DATE KCOX01 2015/09/04	TITLE 4 POSITION WATERTITE PLASTIC PENDANT STATION					
		3 PLACES \pm --- \pm .005	\pm .13 \pm .010	\pm .020	CHECKED BY DATE HKNEELAN 2015/09/04	MOLEX INCORPORATED					
		2 PLACES \pm .13 \pm .010	\pm .25 \pm .020	ANGULAR $\pm 1/2^\circ$	APPROVED BY DATE JFMURPHY 2015/09/29	MATERIAL NO. SEE TABLE	DOCUMENT NO. SD-130126-070	SHEET NO. 1 OF 1			
DRAFT WHERE APPLICABLE MUST REMAIN WITHIN DIMENSIONS			THIS DRAWING CONTAINS INFORMATION THAT IS PROPRIETARY TO MOLEX INCORPORATED AND SHOULD NOT BE USED WITHOUT WRITTEN PERMISSION								