

BALDOR® • ***RELIANCE***

Product Information Packet

EHM2523T

15HP,1765RPM,3PH,60HZ,254T,3938M,OPSB,F1

Part Detail							
Revision:	H	Status:	PRD/A	Change #:		Proprietary:	No
Type:	AC	Prod. Type:	3938M	Elec. Spec:	39WGW916	CD Diagram:	
Enclosure:	OPSB	Mfg Plant:		Mech. Spec:	39R006	Layout:	
Frame:	254T	Mounting:	F1	Poles:	04	Created Date:	06-19-2006
Base:	RG	Rotation:	R	Insulation:	F	Eff. Date:	06-10-2011
Leads:	9#12	Literature:		Elec. Diagram:		Replaced By:	

Nameplate NP2094E06B03

CAT.NO.	EHM2523T						
SPEC.	39R006W916G1						
HP	15						
VOLTS	208-230/460						
AMPS	37.4-35.4/17.7						
RPM	1765						
FRAME	254T	HZ			60	PH	3
SER.F.	1.15	CODE			G	DES	B CL F
NEMA-NOM-EFF	93	PF			86		
RATING	40C AMB-CONT						
CC	010A	USABLE AT 208V			37.4		
DE	6309	ODE			6208		
AUTO		MANUAL				NONE	
ENCL	OPSB	SN					
BLANK							

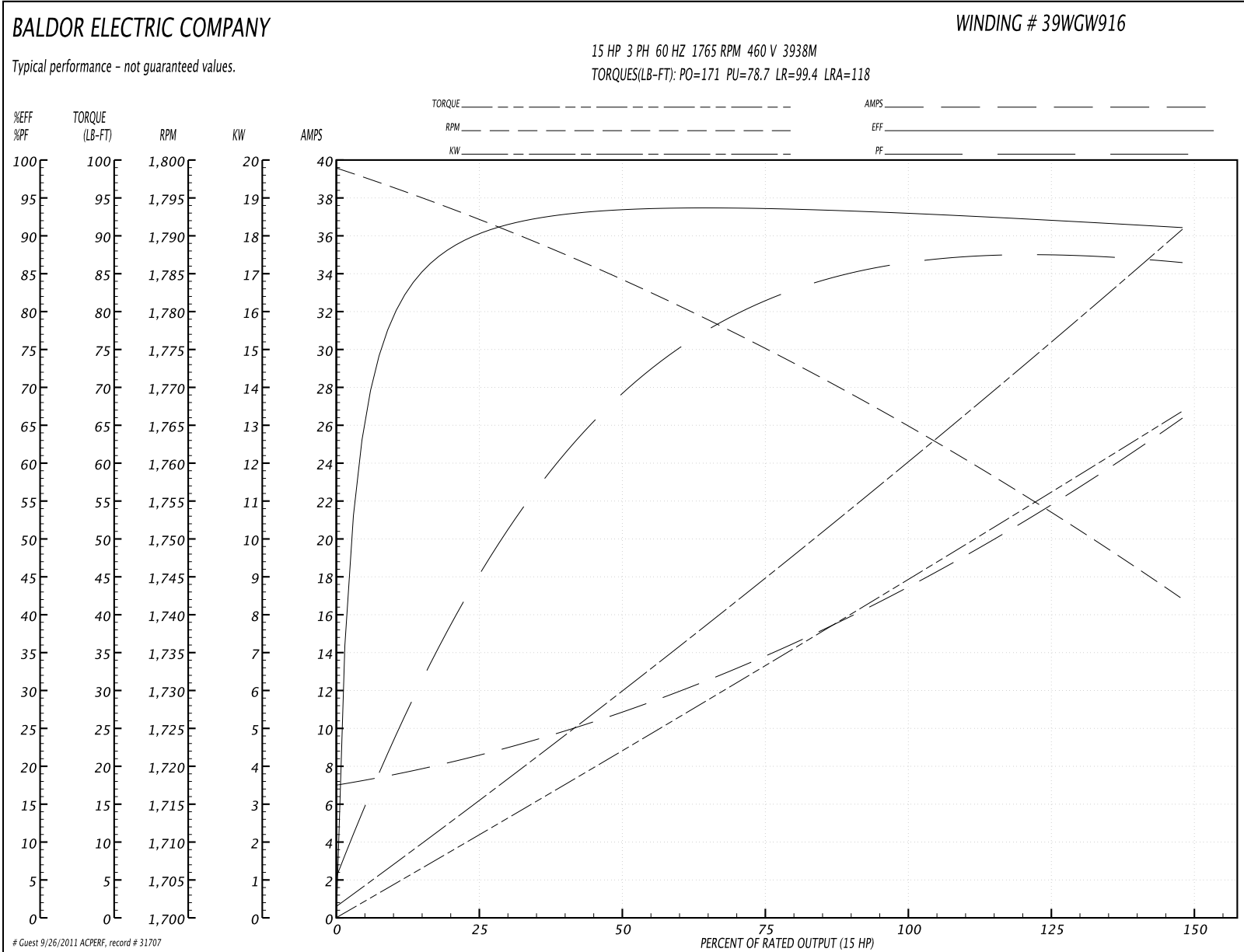
Parts List		
Part Number	Description	Quantity
SA144444	SA 39R006W916G1	1.000 EA
RA133635	RA 39R006W916G1	1.000 EA
S/P107-000-006	SUPER-E(284 FR. & UP)-ZK PLANT,POLYREX E	1.000 EA
HA6361A01	LIFTING LUG FOR 37, 39 & 40 FRAME (AUTOP	2.000 EA
39CB4000A01	CONDUIT BOX 39, STAMPED	1.000 EA
19XW2520A08	SCREW,1/4-20X1/2 TAPTITE-II OR ROLOC 91	2.000 EA
HW1001A25	LOCKWASHER 1/4, ZINC PLT .493 OD, .255 I	2.000 EA
WD1000B16	KPA-4C BURNDY TERMINAL	1.000 EA
39EP3200A01SP	FR/PU ENDPLATE, MACH	1.000 EA
HW4500A20	1/8NPT SL PIPE PLUG	2.000 EA
HW5100A08	W3118-035 WVY WSHR (WB)	1.000 EA
39EP3201A13	PU ENDPLATE, MACH	1.000 EA
HW4500A20	1/8NPT SL PIPE PLUG	2.000 EA
XY3816A12	3/8-16 FINISHED NUT	8.000 EA
39CB4500A01	CONDUIT BOX LID 39, STAMPED, AUTOPHORETI	1.000 EA
51XF1032A08	10/32X1/2 HXWSHR HD, SL, TYPE F ,SERATED	2.000 EA
HW2501G25	KEY, 3/8 SQ X 2.875	1.000 EA
39AD2002A01	BAFFLE PLATE 39 OPEN, SLOTTED BAND MTRS	1.000 EA
MJ1000A75	GREASE, POLYREX EM EXXON	0.030 LB
39AD2002A01	BAFFLE PLATE 39 OPEN, SLOTTED BAND MTRS	1.000 EA
HA3154A09	TB STUD 3/8-16 X 16.25	4.000 EA
MG1000G27	PAINT- S9282E CHARCOAL GREY 55 GALLONS	0.050 GA
LB1125C02	SUPER-E (STOCK CTN LABEL SUPER-E WITH FL	4.000 EA
LB1357	ENERGY GUIDE LABEL (BOX LABEL)	1.000 SH

Parts List (continued)		
Part Number	Description	Quantity
LC0181	CONNECTION LABEL	1.000 EA
NP2094E06B03	NP LABEL W/BARCODE (PREM EFF HVAC MTR)	1.000 EA
39PA1000	PACKAGING GROUP 39 PRINT	1.000 EA

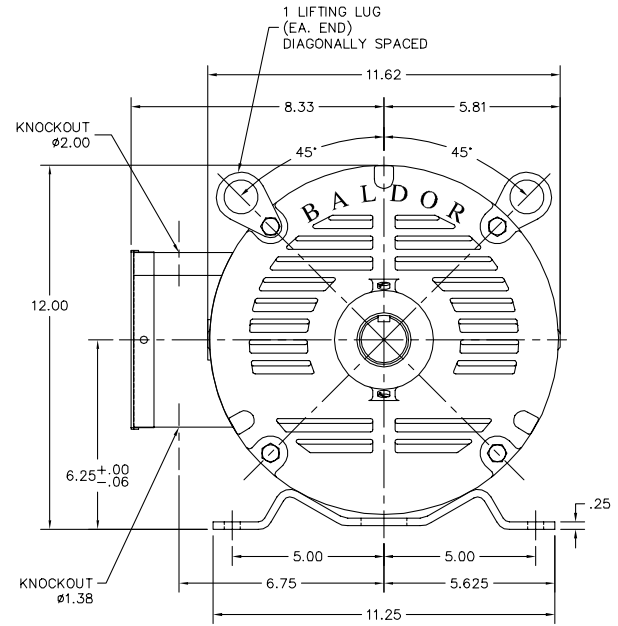
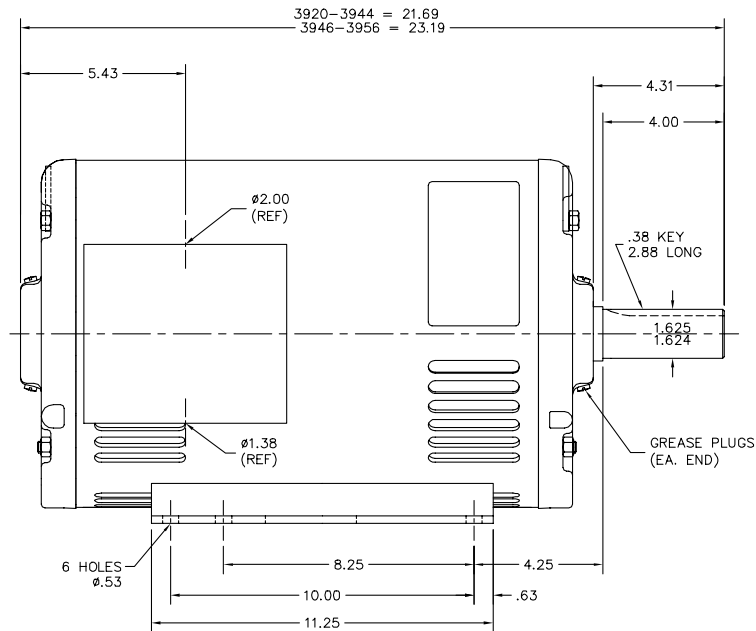
Performance Data at 460V, 60Hz, 15.0HP (Typical performance - Not guaranteed values)

General Characteristics							
Full Load Torque:	44.6 LB-FT			Start Configuration:	DOL		
No-Load Current:	7.27 Amps			Break-Down Torque:	171.0 LB-FT		
Line-line Res. @ 25°C.:	0.622 Ohms A Ph / 0.0 Ohms B Ph			Pull-Up Torque:	78.7 LB-FT		
Temp. Rise @ Rated Load:	22 C			Locked-Rotor Torque:	99.4 LB-FT		
Temp. Rise @ S.F. Load:	29 C			Starting Current:	118.0 Amps		
Load Characteristics							
% of Rated Load	25	50	75	100	125	150	S.F.
Power Factor:	47.0	70.0	81.0	86.0	88.0	89.0	87.0
Efficiency:	90.1	93.3	93.5	93.1	92.2	91.0	92.6
Speed:	1792.0	1784.0	1775.0	1765.0	1754.0	1742.0	1759.0
Line Amperes:	8.27	10.72	13.99	17.67	21.74	26.21	20.11

Performance Graph at 460V, 60Hz, 15.0HP Typical performance - Not guaranteed values



39LYR006



CUSTOMER IS RESPONSIBLE FOR DETERMINING THAT MOTOR PERFORMANCE IS SUITABLE IN THE APPLICATION.

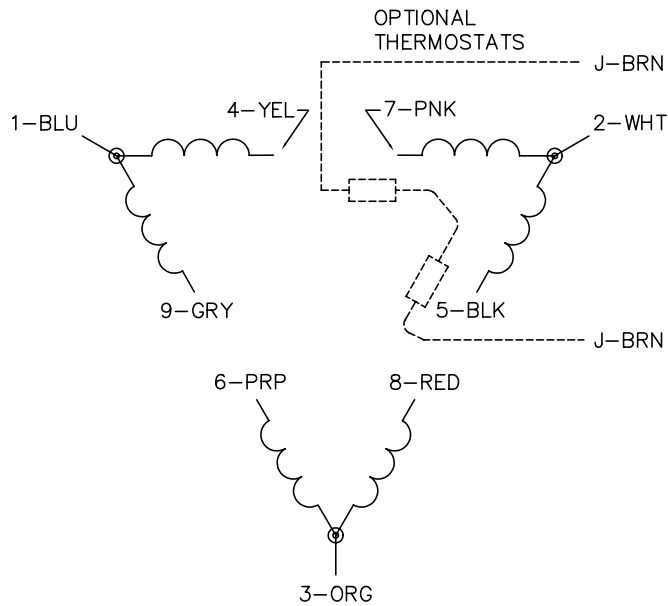
REV. DESC: OPEN IN ACAD SO THE REV WILL MATCH BUS		
REV. LTR: B	VERSION: 02	TDR: 000000425504
FILE: \AAA\00081\398	REVISED: 12:06:07 03/20/2007	BY: ENBREWO
MTL: -		

BALDOR ELECTRIC Co.

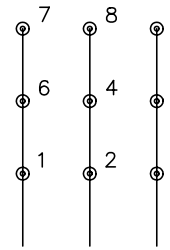
HORZ OPSB 254-6T W/ GREASE PLUGS (HVAC MOTOR) PREMIUM EFF.

39LYR006

CD0180

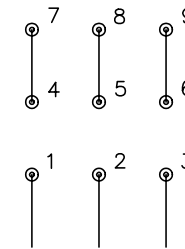


LOW VOLTAGE
(2D)



LINE

HIGH VOLTAGE
(1D)



LINE

NOTES:

1. INTERCHANGE ANY TWO LINE LEADS TO REVERSE ROTATION.
2. OPTIONAL THERMOSTATS ARE PROVIDED WHEN SPECIFIED.
3. ACTUAL NUMBER OF INTERNAL PARALLEL CIRCUITS MAY BE A MULTIPLE OF THOSE SHOWN ABOVE.
4. LEAD COLORS ARE OPTIONAL. LEADS MUST ALWAYS BE NUMBERED AS SHOWN.

REV. DESC: REVISE TO SHOW OPTIONAL COLORS			
REV. LTR: C	BY: JLP	REVISED: 01/21/99 2:28	TDR: 0171435
0810D0		FILE: AAA00005148	MDL: -
		MTL: -	

BALDOR ELECTRIC Co.

3PH, DV, 9 LEADS, DELTA CONNECTION

CD0180