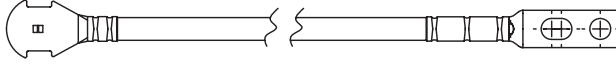


INSTALLATION INSTRUCTIONS T-PMPI-292-PC

© 2008 PANDUIT Corp.

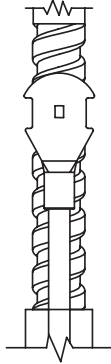
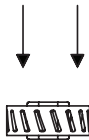
1 24" (.6m) Jumper



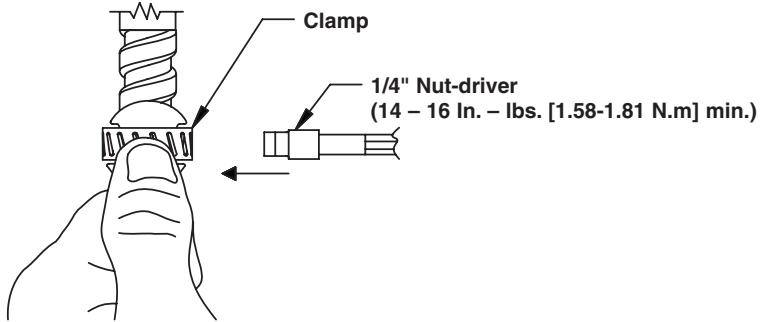
2 Clamp



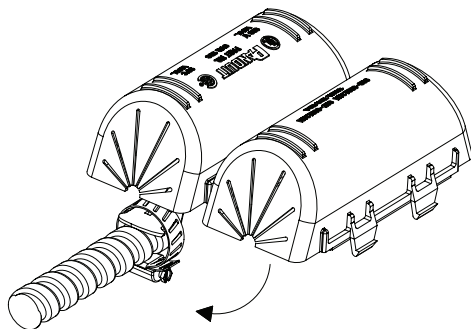
3



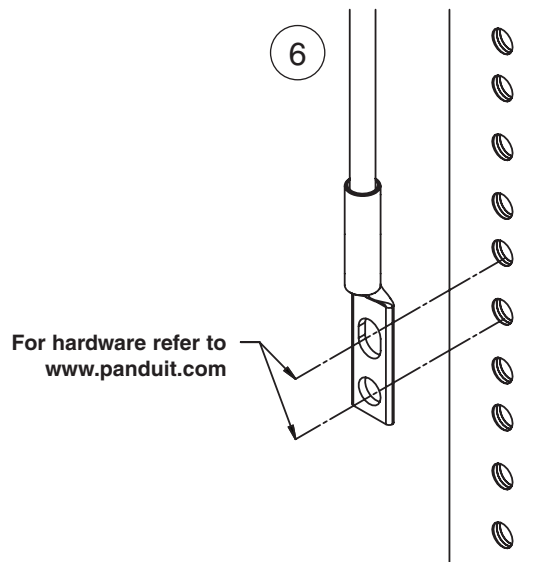
4



5



6



*UL, CSA listing does not apply.

For Instructions in Local Languages
and Technical Support:

http://www.panduit.com/resources/install_maintain.asp



www.panduit.com

E-mail:
cs@panduit.com

Fax:
(815)485-5839