

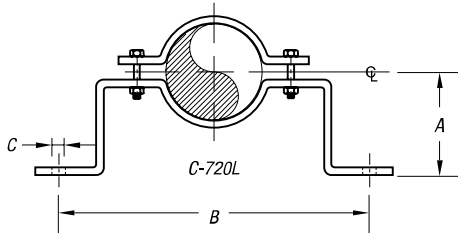
Pipe Straps, Conduit Clamps and Hangers

C-720L — Offset Pipe Clamp

The Offset Pipe Clamp is used on pipe lines running at a fixed distance from a wall or floor. The standard clearance is two inches from the O.D. of pipe to the face of the surface. Non-standard clearances can be fabricated upon request.

Specifications

- Material: Carbon Steel
- Load Rating: Up to 650° F (343° C)
- Finish: Standard Finish — GoldGalv®, Black (add suffix “-B”), Electro-Galvanized (add suffix “-EG”)
- Ordering: Specify pipe size, catalog number and finish



CAT. NO.	PIPE SIZE (IN.)	MAX. LOAD (LBS.)	A (IN.)	B (IN.)	C (IN.)	WT. EACH (LBS.)
C-720L-1/2	1/2	190	2 1/16	8 1/2	7/16	1.1
C-720L-3/4	3/4	190	2 3/4	8 3/4	7/16	1.3
C-720L-1	1	190	2 7/8	9 1/4	7/16	1.4
C-720L-1-1/4	1 1/4	190	3 1/16	9 3/4	7/16	1.5
C-720L-1-1/2	1 1/2	190	3 3/16	10	7/16	1.6
C-720L-2	2	420	3 1/2	11 1/4	9/16	2.8
C-720L-2-1/2	2 1/2	420	3 3/4	11 3/4	9/16	2.9
C-720L-3	3	420	4 1/16	12 7/8	9/16	3.2
C-720L-4	4	610	4 5/16	13 3/8	9/16	4.2
C-720L-5	5	610	5 1/16	15 5/8	1 1/16	6.5
C-720L-6	6	870	5 3/8	16 3/4	1 1/16	7.2
C-720L-8	8	870	6 3/8	18 3/4	1 1/16	8.3
C-720L-10	10	1,050	7 3/8	21 1/2	1 3/16	12.4
C-720L-12	12	1,200	8 3/8	24 1/4	1 3/16	21.0

Standard Finish — GoldGalv®, unless otherwise stated.

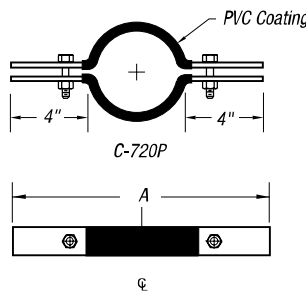
C-720P — PVC-Coated Riser Clamp

The C-720P is normally used for the support of uninsulated vertical piping where no movement will occur. PVC coating the contact surface prevents galvanic corrosion with the pipe. Please use our C-720 for carbon steel piping or CT-720 for copper tubing requirements.

Note: This product is not designed to be supported with rods. Install using the maximum suggested torque values shown in the Technical Section of this catalog.

Specifications

- Material: Carbon Steel
- Compliance: Federal Specification A-A-1192A Type 8, MSS-SP-69 T 1400° F/600° C
- Finish: Polyvinyl Chloride
- Ordering: Specify pipe size and catalog number



CAT. NO.	PIPE SIZE (IN.)	MAX. LOAD (LBS.)	A (IN.)	WT. EACH (LBS.)
C720P-1/2	1/2	225	9 3/8	1.30
C-720P-3/4	3/4	225	9 3/8	1.36
C-720P-1	1	225	9 3/8	1.38
C-720P-1-1/4	1 1/4	225	10	1.95
C-720P-1-1/2	1 1/2	225	10 3/8	2.01
C-720P-2	2	225	10 3/4	2.17
C-720P-2-1/2	2 1/2	390	11 1/4	2.29
C-720P-3	3	530	12	2.50
C-720P-4	4	810	13 1/2	3.42

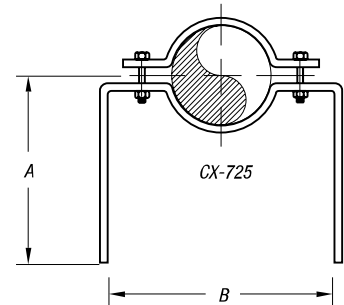
Standard Finish — GoldGalv®, unless otherwise stated.

CX-725 — Extended Offset Pipe Clamp

Designed to attach directly to piping where the exact distance between the structure and the pipe cannot be determined until the piping is in place. The extended legs can be modified in the field to suit the location. Legs of longer lengths can be furnished on order.

Specifications

- Material: Carbon Steel
- Finish: Standard Finish — Black (add suffix “-B”), Electro-Galvanized (add suffix “-EG”)
- Ordering: Specify pipe size, catalog number and finish



CAT. NO.	PIPE SIZE (IN.)	A (IN.)	B (IN.)	WT. EACH (LBS.)
CX-725-3/8	3/8	12	3 3/4	1.85
CX-725-1/2	1/2	12	3 3/4	1.85
CX-725-3/4	3/4	12	4 3/4	1.85
CX-725-1	1	12	5 1/2	2.34
CX-725-1-1/4	1 1/4	12	5 7/8	2.40
CX-725-1-1/2	1 1/2	12	6 1/8	2.45
CX-725-2	2	12	7	3.13
CX-725-2-1/2	2 1/2	12	7 1/2	4.21
CX-725-3	3	12	7 7/8	4.47
CX-725-4	4	12	10 1/2	4.90
CX-725-5	5	12	12 1/4	4.90
CX-725-6	6	12	13	5.32
CX-725-8	8	12	15 1/4	11.20
CX-725-10	10	12	18 1/4	13.50
CX-725-12	12	12	20 3/4	22.00
CX-725-14	14	12	21	35.00

Standard Finish — GoldGalv®, unless otherwise stated.