



Wall Pak Pro

WPS27LED 27 Watt LED Wall Pak



Project Information

Job Name

Fixture Type 27 Watt LED Die Cast Wall Pak

Catalog Number WPS27LED

Approved by

SPECIFICATIONS:

Lumens: 3311
Watts: 26.33
Lumens/Watt: 125.8
CRI: 82.5
CCT: 4479
Lifespan: 200,000+ hrs.¹

Construction:

Designed for commercial and industrial applications, providing cooler operating temperatures, brighter light and longer LED life. Manufactured w/ 100% pure aluminum & 0% remelt. Apertures for field or factory installed photocontrol.

Installation:

Labor saving quick mount box with apertures for continuous wiring.

Zero Glare:

Using the latest high brightness, high LED count technology, more usable light output is produced while eliminating glare. The fixture design directs more light down and forward without wasting lumens and offensive light.

Thermal Management:

Atlas Wall Pak Pro fixtures are designed as a complete system to optimize LED life and light output. The Patent Pending thermal stacking heat removal technology extracts heat from within the housing moving it away from LEDs and components. The lower temperatures result in long LED life (200,000+ hrs) and component life and also allows for higher light output.

Listings:

Luminaire is certified to UL/cUL Standards for Wet Locations
Lighting Facts Certified
DesignLights Consortium Premium qualified luminaire, eligible for rebates from DLC member utilities. DLC Product ID: P00000535

AC Input:

120/208/240/277 V

Driver:

Constant current, Class 2, 120-277 VAC, 50-60 Hz
High Efficiency – min. 84%
Off-State Power: 0 Watts
0-10 V Dimming

LEDs:

4500K CCT
Epoxy Guard™ protective conformal coated boards

Testing:

Atlas LED luminaires have been tested by an independent laboratory in accordance with IESNA LM-79 & LM-80, and have received the Department of Energy "Lighting Facts" label.

Warranty: Five-year limited warranty

Photo Control:

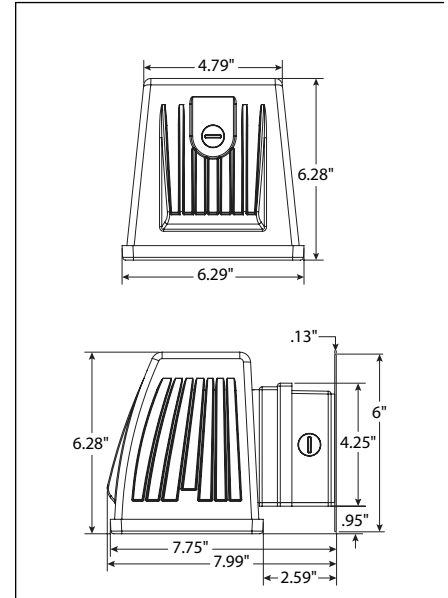
For factory installed 120V button photo control add suffix PC to part number.

Alpha Series LED
PROFESSIONAL GRADE



WPS27LED Design is Protected
by US Patent D710,530
and D752,274

DIMENSIONS:



¹LED Life Span Based Upon LM-80 Test Results

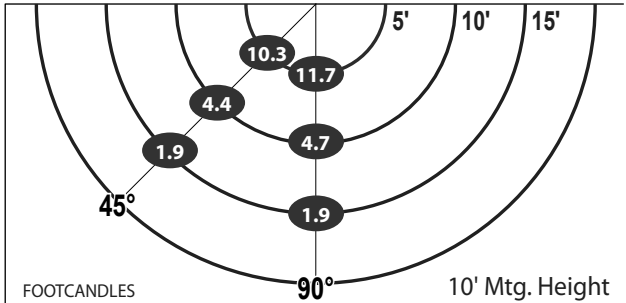
Rebates and Incentives are available in many areas.
Contact an Atlas Representative for more information.

ATLAS LIGHTING PRODUCTS, INC.

PO BOX 2348 | BURLINGTON, NC 27216
800-849-8485 | FAX: 336-227-0110 | www.atlasled.com

*The majority of Atlas Lighting Products are assembled in USA facilities by an American Workforce utilizing both Domestic and Foreign components. Meets Buy American requirements within the ARRA.

PHOTOMETRIC

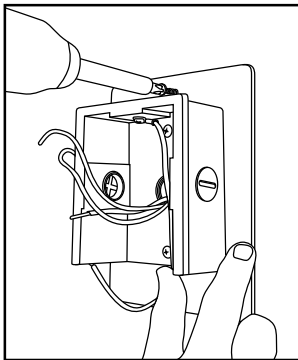


ENERGY SAVINGS

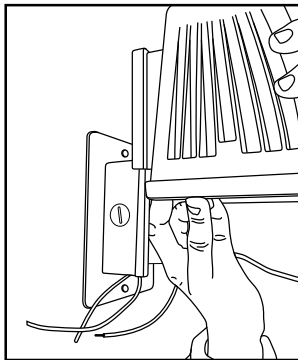
LED		HID			ANNUAL SAVINGS
WATTAGE	ANNUAL COST	SOURCE WATTAGE	TOTAL WATTAGE USED	ANNUAL COST	
27	\$12	50	72	\$52	\$40
27	\$12	70	90	\$59	\$47
27	\$12	100	129	\$77	\$65

LABOR SAVING: QUICK & SECURE MOUNTING

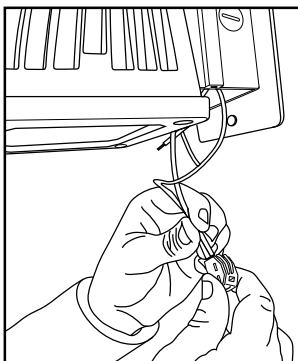
Protected by US Patent D752,274



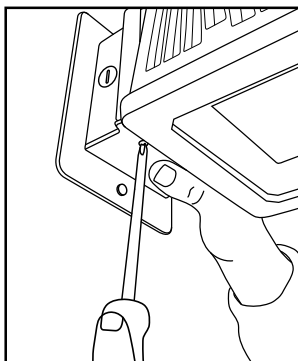
Secure Mounting Plate with back box to wall



Slide fixture housing onto mounting box



Connect wires & return them to mounting box



Replace bottom plate on quick mount box

Atlas Lighting Products

LED lighting facts®

A Program of the U.S. DOE

Light Output (Lumens)	3311
Watts	26.33
Lumens per Watt (Efficacy)	125.8
<hr/>	
Color Accuracy Color Rendering Index (CRI)	82
<hr/>	
Light Color Correlated Color Temperature (CCT)	4479 (Bright White)
↓	
Warm White 2700K	Bright White 3000K
4500K	
Daylight 6500K	

All results are according to IESNA LM-79-2008: *Approved Method for the Electrical and Photometric Testing of Solid-State Lighting*. The U.S. Department of Energy (DOE) verifies product test data and results.

Visit www.lightingfacts.com for the *Label Reference Guide*.

Registration Number: PRB4-KBQ7A7 (2/4/2016)
Model Number: WPS27LED [Upgrade : 2/4/2016]
Type: Luminaire - Area/Roadway