

# **BALDOR**® • ***RELIANCE***

## **Product Information Packet**

# **AFM3529**

**1HP,3450RPM,3PH,60HZ,56Z,3416M,TEAO,F1**

| Part Detail |        |             |            |             |                    |               |    |
|-------------|--------|-------------|------------|-------------|--------------------|---------------|----|
| Revision:   | AG     | Status:     | PRD/A      | Change #:   |                    | Proprietary:  | No |
| Type:       | AC     | Elec. Spec: | 34WG0282   | CD Diagram: | CD0005             | Mfg Plant:    |    |
| Mech. Spec: | 34K062 | Layout:     | 34LYK062   | Poles:      | 02                 | Created Date: |    |
| Base:       | RG     | Eff. Date:  | 09-17-2016 | Leads:      | 9#18 14"LG +/- .5" |               | Y  |

| Specs                           |                         |                                |                   |
|---------------------------------|-------------------------|--------------------------------|-------------------|
| Catalog Number:                 | AFM3529                 | Heater Indicator:              | No Heater         |
| Enclosure:                      | TEAO                    | Insulation Class:              | B                 |
| Frame:                          | 56Z                     | Inverter Code:                 | Not Inverter      |
| Frame Material:                 | Steel                   | KVA Code:                      | H                 |
| Output @ Frequency:             | 1.000 HP @ 60 HZ        | Lifting Lugs:                  | No Lifting Lugs   |
| Synchronous Speed @ Frequency:  | 3600 RPM @ 60 HZ        | Locked Bearing Indicator:      | No Locked Bearing |
| Voltage @ Frequency:            | 460.0 V @ 60 HZ         | Motor Lead Quantity/Wire Size: | 9 @ 18 AWG        |
|                                 | 230.0 V @ 60 HZ         | Motor Lead Exit:               | Lead Hole         |
| XP Class and Group:             | None                    | Motor Lead Termination:        | Flying Leads      |
| XP Division:                    | Not Applicable          | Motor Type:                    | 3416M             |
| Agency Approvals:               | CSA                     | Mounting Arrangement:          | F1                |
|                                 | UR                      | Power Factor:                  | 71                |
| Auxillary Box:                  | No Auxillary Box        | Product Family:                | General Purpose   |
| Auxillary Box Lead Termination: | None                    | Product Type:                  | FARM DUTY         |
| Base Indicator:                 | Rigid                   | Pulley End Bearing Type:       | Sealed Bearing    |
| Bearing Grease Type:            | Polyrex EM (-20F +300F) | Pulley Face Code:              | Standard          |
| Blower:                         | None                    | Pulley Shaft Indicator:        | Tapped & Key      |
| Current @ Voltage:              | 1.800 A @ 460.0 V       | Rodent Screen:                 | None              |

|                                       |                           |                                    |                     |
|---------------------------------------|---------------------------|------------------------------------|---------------------|
|                                       | 3.600 A @ 230.0 V         | <b>Shaft Extension Location:</b>   | Pulley End          |
|                                       | 4.100 A @ 208.0 V         | <b>Shaft Ground Indicator:</b>     | No Shaft Grounding  |
| <b>Design Code:</b>                   | B                         | <b>Shaft Rotation:</b>             | Reversible          |
| <b>Drip Cover:</b>                    | No Drip Cover             | <b>Shaft Slinger Indicator:</b>    | No Slinger          |
| <b>Duty Rating:</b>                   | CONT                      | <b>Speed Code:</b>                 | Single Speed        |
| <b>Electrically Isolated Bearing:</b> | Not Electrically Isolated | <b>Motor Standards:</b>            | NEMA                |
| <b>Feedback Device:</b>               | NO FEEDBACK               | <b>Starting Method:</b>            | Direct on line      |
| <b>Front Face Code:</b>               | Terminal Panel            | <b>Thermal Device - Bearing:</b>   | None                |
| <b>Front Shaft Indicator:</b>         | None                      | <b>Thermal Device - Winding:</b>   | None                |
|                                       |                           | <b>Vibration Sensor Indicator:</b> | No Vibration Sensor |

| Nameplate NP1279L |              |  |  |  |      |      |  |                |     |    |   |
|-------------------|--------------|--|--|--|------|------|--|----------------|-----|----|---|
| CAT.NO.           | AFM3529      |  |  |  |      |      |  |                |     |    |   |
| SPEC.             | 34K62-282    |  |  |  |      |      |  |                |     |    |   |
| HP                | 1            |  |  |  |      |      |  |                |     |    |   |
| VOLTS             | 230/460      |  |  |  |      |      |  |                |     |    |   |
| AMP               | 3.6/1.8      |  |  |  |      |      |  |                |     |    |   |
| RPM               | 3450         |  |  |  |      |      |  |                |     |    |   |
| FRAME             | 56Z          |  |  |  | HZ   | 60   |  |                | PH  | 3  |   |
| SER.F.            | 1.25         |  |  |  | CODE | H    |  | DES            | B   | CL | B |
| NEMA-NOM-EFF      | 75.5         |  |  |  | PF   | 71   |  |                |     |    |   |
| RATING            | 40C AMB-CONT |  |  |  |      |      |  |                |     |    |   |
| CC                |              |  |  |  |      |      |  | USABLE AT 208V | 4.1 |    |   |
| DE                | 6203         |  |  |  | ODE  | 6203 |  |                |     |    |   |
| ENCL              | TEAO         |  |  |  | SN   |      |  |                |     |    |   |
|                   | SFA 4/2      |  |  |  |      |      |  |                |     |    |   |

**AC Induction Motor Performance Data**  
Record # 6568 - Typical performance - not guaranteed values

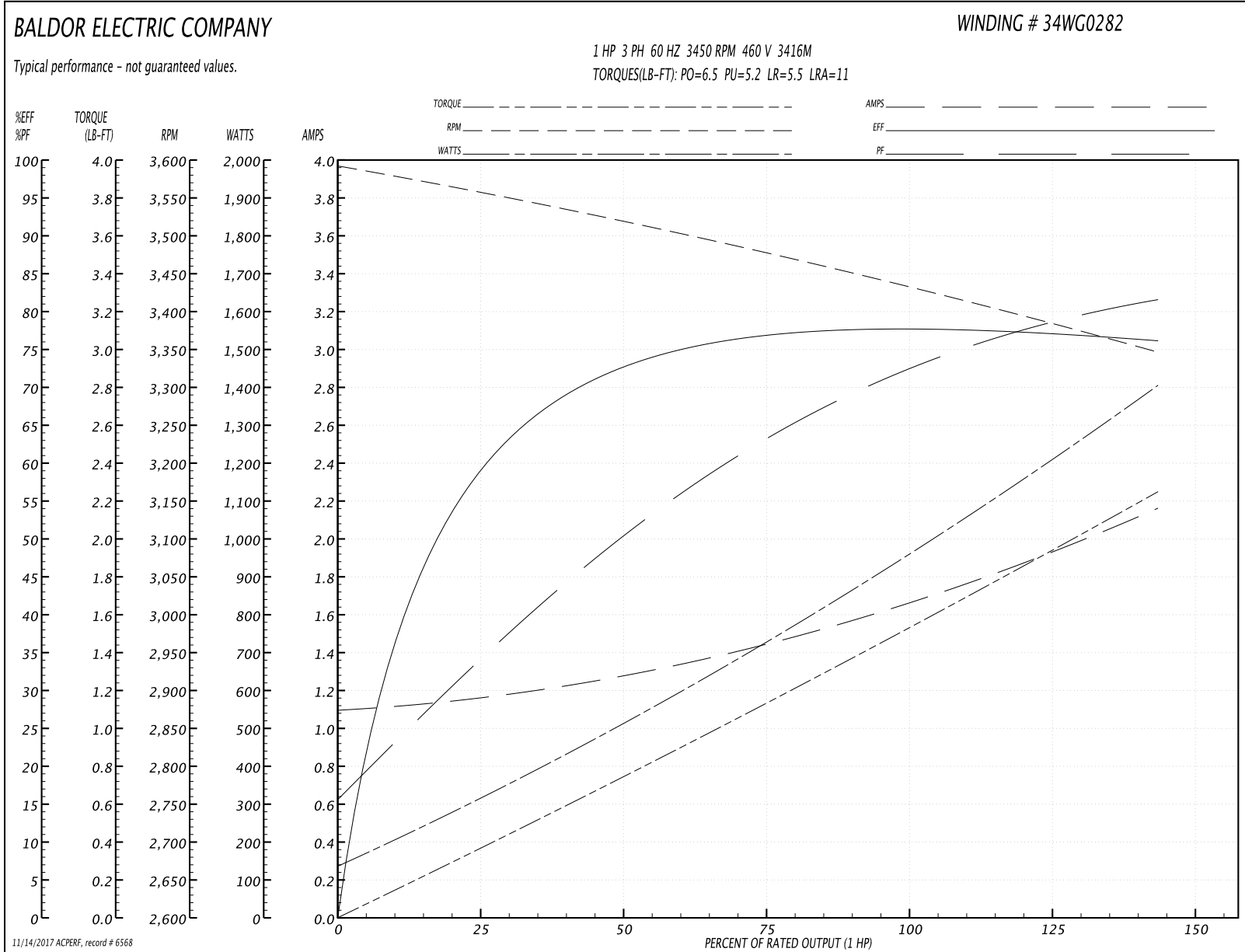
|                               |                    |                        |
|-------------------------------|--------------------|------------------------|
| <b>Winding:</b> 34WG0282-R001 | <b>Type:</b> 3416M | <b>Enclosure:</b> TEFC |
|-------------------------------|--------------------|------------------------|

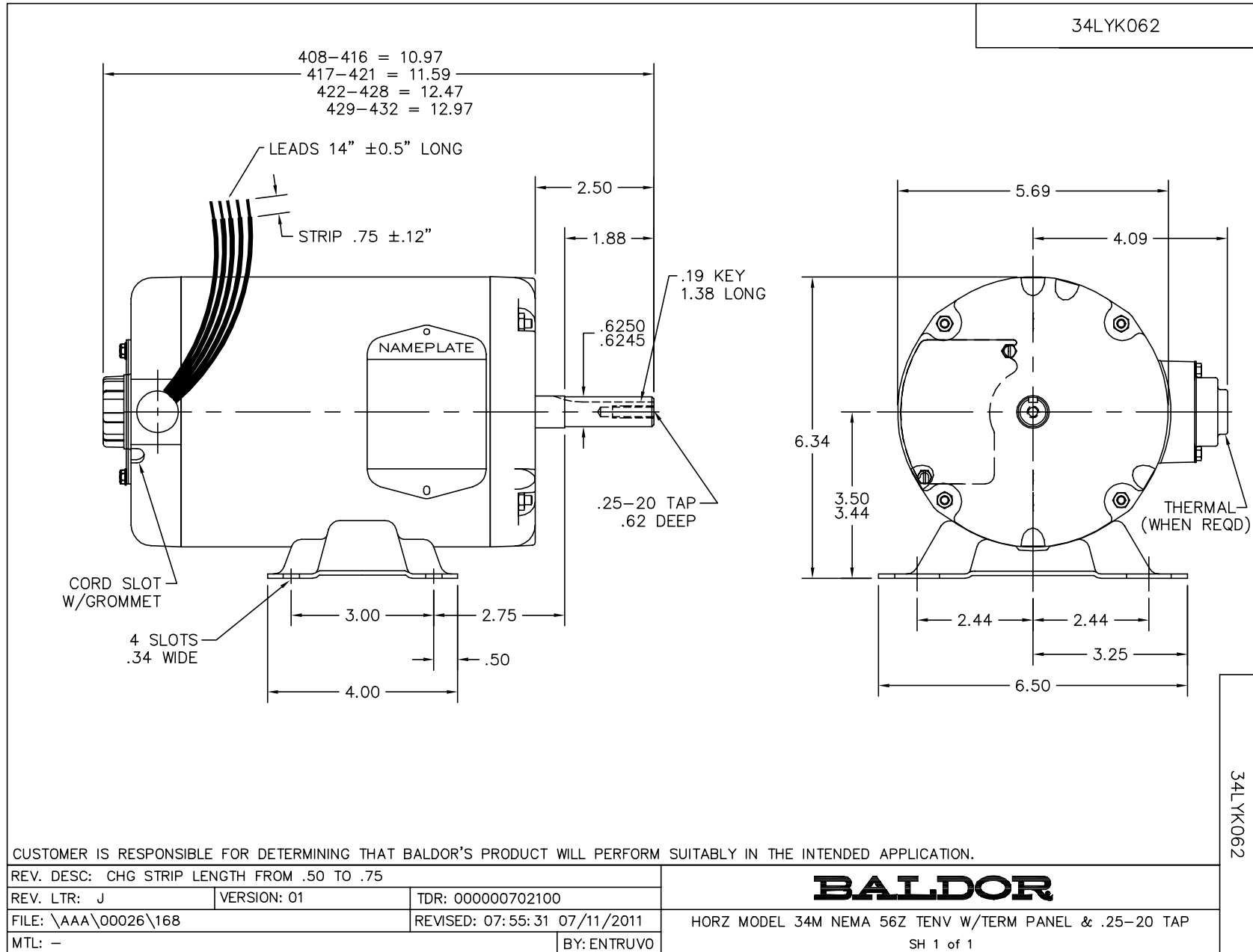
| Nameplate Data        |              |              |    | 460 V, 60 Hz:<br>High Voltage Connection |                |
|-----------------------|--------------|--------------|----|--|----------------|
| Rated Output (HP)     | 1            |              |    | Full Load Torque                         | 1.5 LB-FT      |
| Volts                 | 230/460      |              |    | Start Configuration                      | direct on line |
| Full Load Amps        | 3.6/1.8      |              |    | Breakdown Torque                         | 6.5 LB-FT      |
| R.P.M.                | 3450         |              |    | Pull-up Torque                           | 5.2 LB-FT      |
| Hz                    | 60           | Phase        | 3  | Locked-rotor Torque                      | 5.5 LB-FT      |
| NEMA Design Code      | B            | KVA Code     | H  | Starting Current                         | 11 A           |
| Service Factor (S.F.) | 1.25         |              |    | No-load Current                          | 1.1 A          |
| NEMA Nom. Eff.        | 75.5         | Power Factor | 71 | Line-line Res. @ 25°C                    | 16.7 Ω         |
| Rating - Duty         | 40C AMB-CONT |              |    | Temp. Rise @ Rated Load                  | 71°C           |
| S.F. Amps             | 4/2          |              |    | Temp. Rise @ S.F. Load                   | 85°C           |

Load Characteristics 460 V, 60 Hz, 1 HP

| % of Rated Load | 25   | 50   | 75   | 100  | 125  | 150  | S.F. |
|-----------------|------|------|------|------|------|------|------|
| Power Factor    | 37   | 53   | 68   | 76   | 77   | 76   | 77   |
| Efficiency      | 61.2 | 72.1 | 76.8 | 77.7 | 77.2 | 76.2 | 77.2 |
| Speed           | 3558 | 3524 | 3476 | 3434 | 3390 | 3349 | 3390 |
| Line amperes    | 1.17 | 1.25 | 1.45 | 1.65 | 1.9  | 2.15 | 1.9  |

Performance Graph at 460V, 60Hz, 1.0HP Typical performance - Not guaranteed values

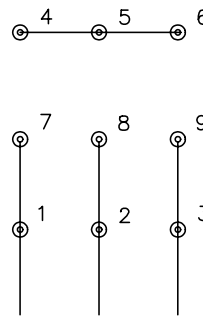




CD0005

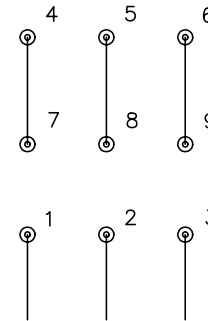


LOW VOLTAGE  
(2Y)



LINE

HIGH VOLTAGE  
(1Y)



LINE

NOTES:

1. INTERCHANGE ANY TWO LINE LEADS TO REVERSE ROTATION.
2. OPTIONAL THERMOSTATS ARE PROVIDED WHEN SPECIFIED.
3. ACTUAL NUMBER OF INTERNAL PARALLEL CIRCUITS MAY BE A MULTIPLE OF THOSE SHOWN ABOVE.
4. LEAD COLORS ARE OPTIONAL. LEADS MUST ALWAYS BE NUMBERED AS SHOWN.

|   |         |                         |              |
|---|---------|-------------------------|--------------|
| REV. DESC: REVISE TO SHOW OPTIONAL COLORS |         |                         |              |
| REV. LTR: E                               | BY: JLP | REVISED: 01/19/99 10:15 | TDR: 0171435 |
| 9000D                                     |         | FILE: AAA00005140       | MDL: -       |
|   |         | MTL: -                  |              |

**BALDOR ELECTRIC Co.**

3PH, DV, 9 LEADS

CD0005