

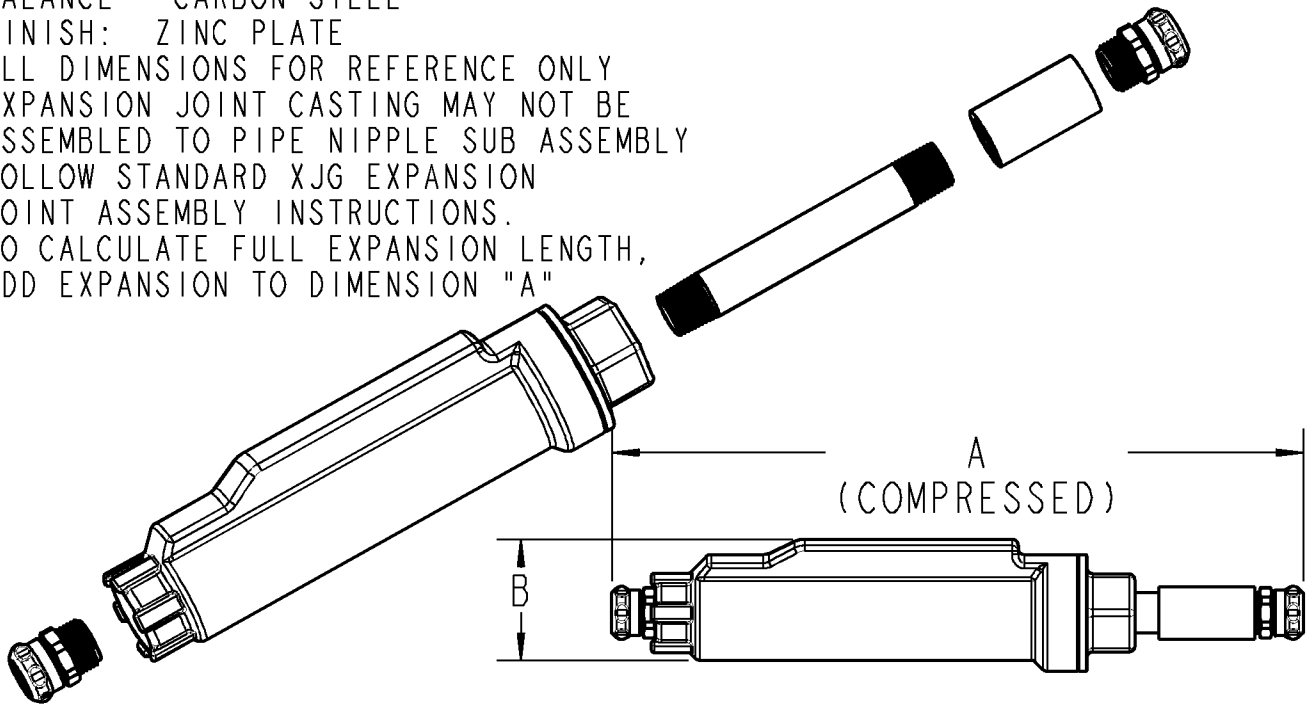


T&B Fittings



NOTES:

1. MATERIAL: EXPANSION JOINT - CAST IRON
BALANCE - CARBON STEEL
2. FINISH: ZINC PLATE
3. ALL DIMENSIONS FOR REFERENCE ONLY
4. EXPANSION JOINT CASTING MAY NOT BE ASSEMBLED TO PIPE NIPPLE SUB ASSEMBLY FOLLOW STANDARD XJG EXPANSION JOINT ASSEMBLY INSTRUCTIONS.
5. TO CALCULATE FULL EXPANSION LENGTH, ADD EXPANSION TO DIMENSION "A"



XJG108-EMT	8" (203.2)	4" (103)	29.30 (743.9)	6.75 (171.5)
XJG104-EMT	4" (101.6)	4" (103)	29.30 (743.9)	6.75 (171.5)
XJG98-EMT	8" (203.2)	3-1/2" (91)	28.70 (728.9)	6.00 (152.4)
XJG94-EMT	4" (101.6)	3-1/2" (91)	28.70 (728.9)	6.00 (152.4)
XJG88-EMT	8" (203.2)	3" (78)	28.09 (713.5)	5.25 (133.4)
XJG84-EMT	4" (101.6)	3" (78)	24.09 (611.9)	5.25 (133.4)
XJG78-EMT	8" (203.2)	2-1/2" (63)	27.23 (691.6)	4.52 (114.8)
XJG74-EMT	4" (101.6)	2-1/2" (63)	23.23 (589.9)	4.52 (114.8)
XJG68-EMT	8" (203.2)	2" (53)	23.04 (585.2)	4.18 (106.2)
XJG64-EMT	4" (101.6)	2" (53)	19.04 (483.6)	4.18 (106.2)
XJG58-EMT	8" (203.2)	1-1/2" (41)	22.69 (576.3)	3.68 (93.4)
XJG54-EMT	4" (101.6)	1-1/2" (41)	18.69 (474.7)	3.68 (93.4)
XJG48-EMT	8" (203.2)	1-1/4" (35)	22.27 (565.7)	3.46 (87.88)
XJG44-EMT	4" (101.6)	1-1/4" (35)	18.27 (464.1)	3.46 (87.88)
XJG38-EMT	8" (203.2)	1" (27)	21.42 (544.1)	2.99 (75.9)
XJG34-EMT	4" (101.6)	1" (27)	17.42 (442.5)	2.99 (75.9)
XJG28-EMT	8" (203.2)	3/4" (21)	21.39 (543.3)	2.75 (69.8)
XJG24-EMT	4" (101.6)	3/4" (21)	17.39 (441.7)	2.75 (69.8)
CAT #	EXPANSION	SIZE	A +/- .060"	B +/- .060"

GENERAL NOTES

1. ALL DIMENSIONS ARE FOR REFERENCE ONLY.
2. DIMENSIONS IN BRACKETS [] ARE IN METRIC UNITS.

REVISIONS

- | | |
|---|--|
| - | SEE ERN (****) FOR APPROVAL SIGNATURES & RELEASE DATE.
PROJECT NO: **** |
|---|--|

Thomas & Betts
www.tnb.com

DESCRIPTION:

**EXPANSION JOINT
FOR USE WITH EMT**

ORIGINAL PROJECT NO / (ERN NO)

RD55724 / (2007290)

SHEET NO:

1 OF 1

REV. NO:

-

DRAWING NO:

WSD-000298

THIS DRAWING IS INTENDED FOR DESCRIPTIVE PURPOSES ONLY. AND THE RIGHT IS RESERVED TO DEVIATE FROM ANY OF THE DETAILS SHOWN HEREON.

©2006 Thomas & Betts - Proprietary. All Rights Reserved