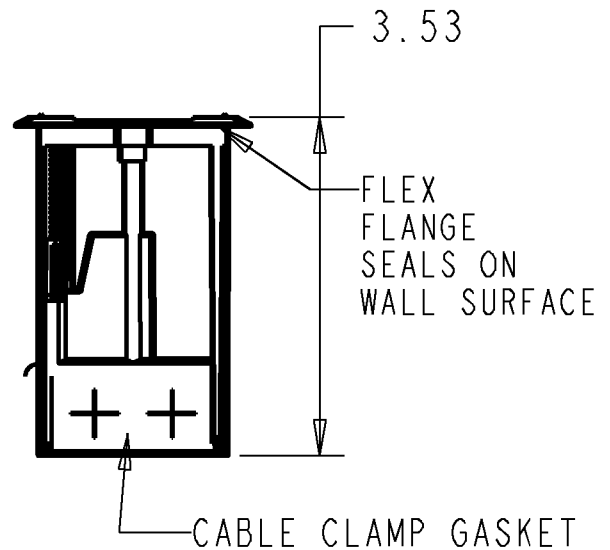
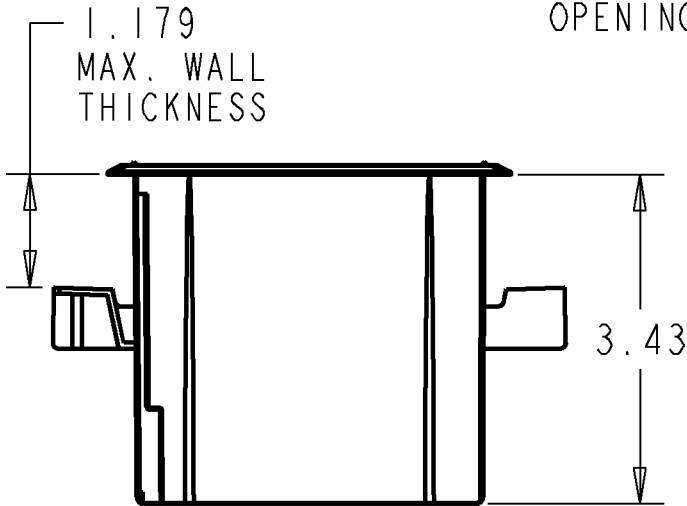
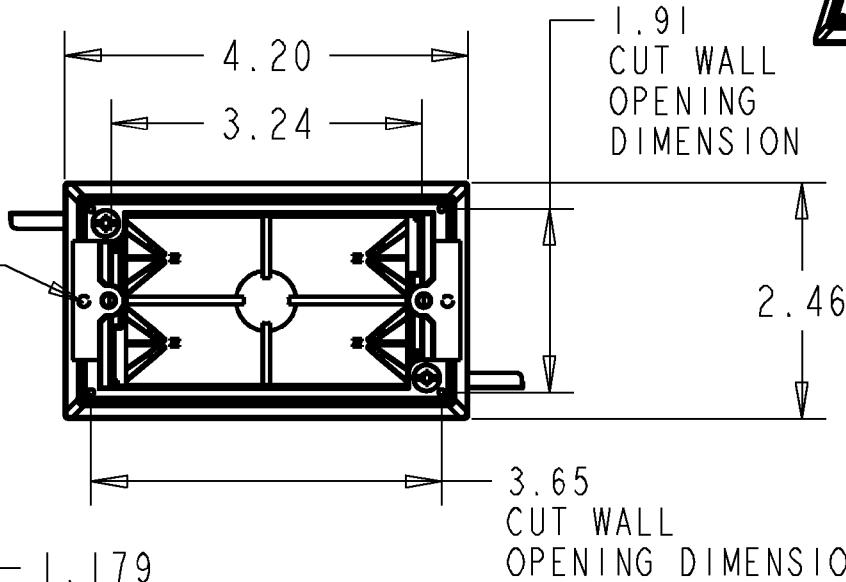
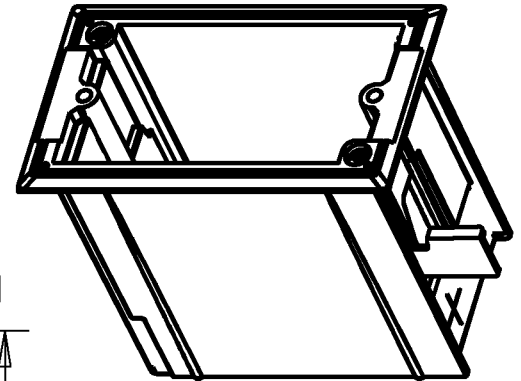




# Carlton®

FLASHED OVER GFCI  
COVER SCREW HOLES



### NOTES:

1. PRODUCT IS UL LISTED.
2. 18 CU. IN. CAPACITY

CAT. NO. FN-18-OWV

#### GENERAL NOTES

1. ALL DIMENSIONS ARE FOR REFERENCE ONLY.
2. DIMENSIONS IN BRACKETS [ ] ARE IN METRIC UNITS.

#### REVISIONS

- |   |   |
|---|---|
| - | SEE ERN ( **** )<br>FOR APPROVAL SIGNATURES<br>& RELEASE DATE.<br>PROJECT NO: ***** |
|---|---|

## Thomas & Betts

www.tnb.com

DESCRIPTION:

### SINGLE GANG DRAFT TIGHT OLD WORK BOX

ORIGINAL PROJECT NO / ( ERN NO )

040D000281 / 2014644

SHEET NO:

1 OF 1

REV. NO:

-

DRAWING NO:

WSD-001107