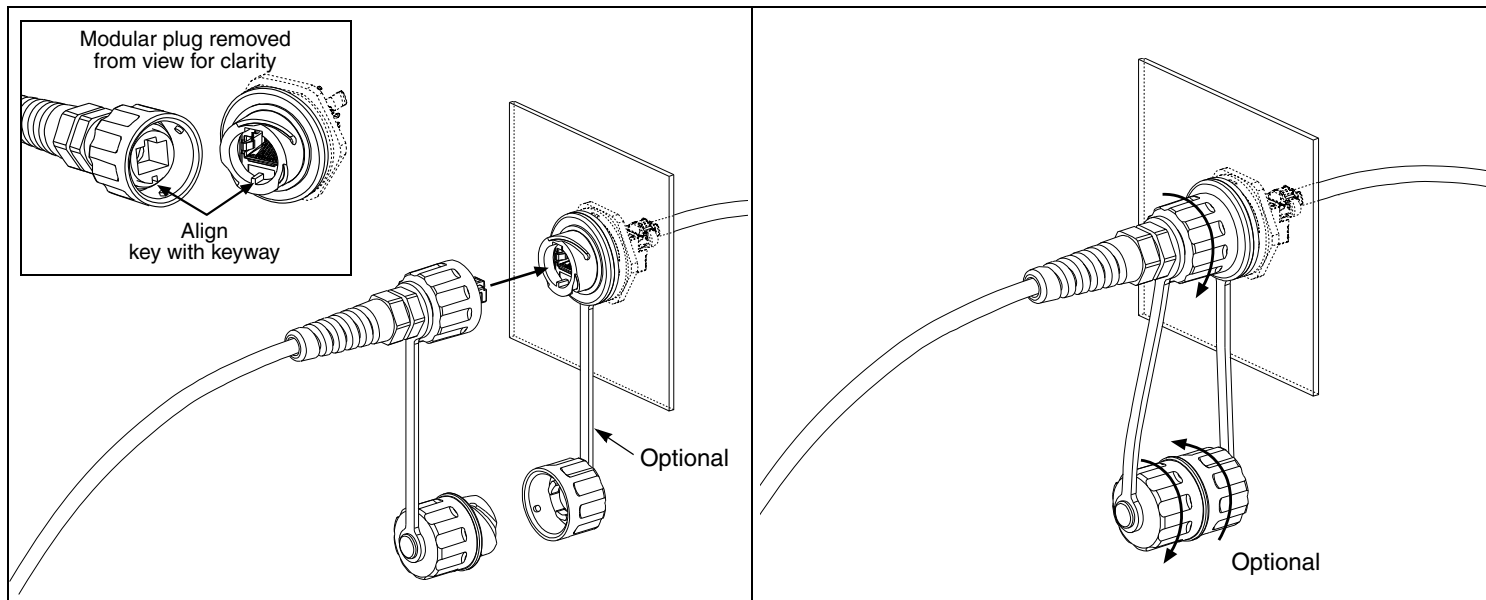


Note: Bulkhead combination must be used on a flat surface of a NEMA Type 12 Enclosure to maintain rating.



* Denotes length.