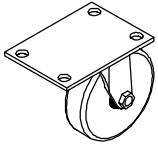
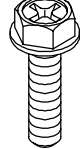
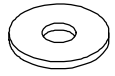
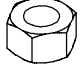
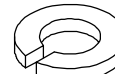
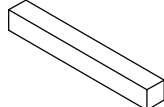
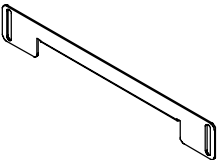
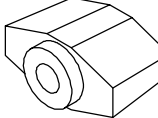
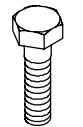

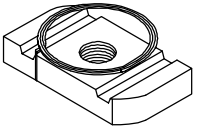
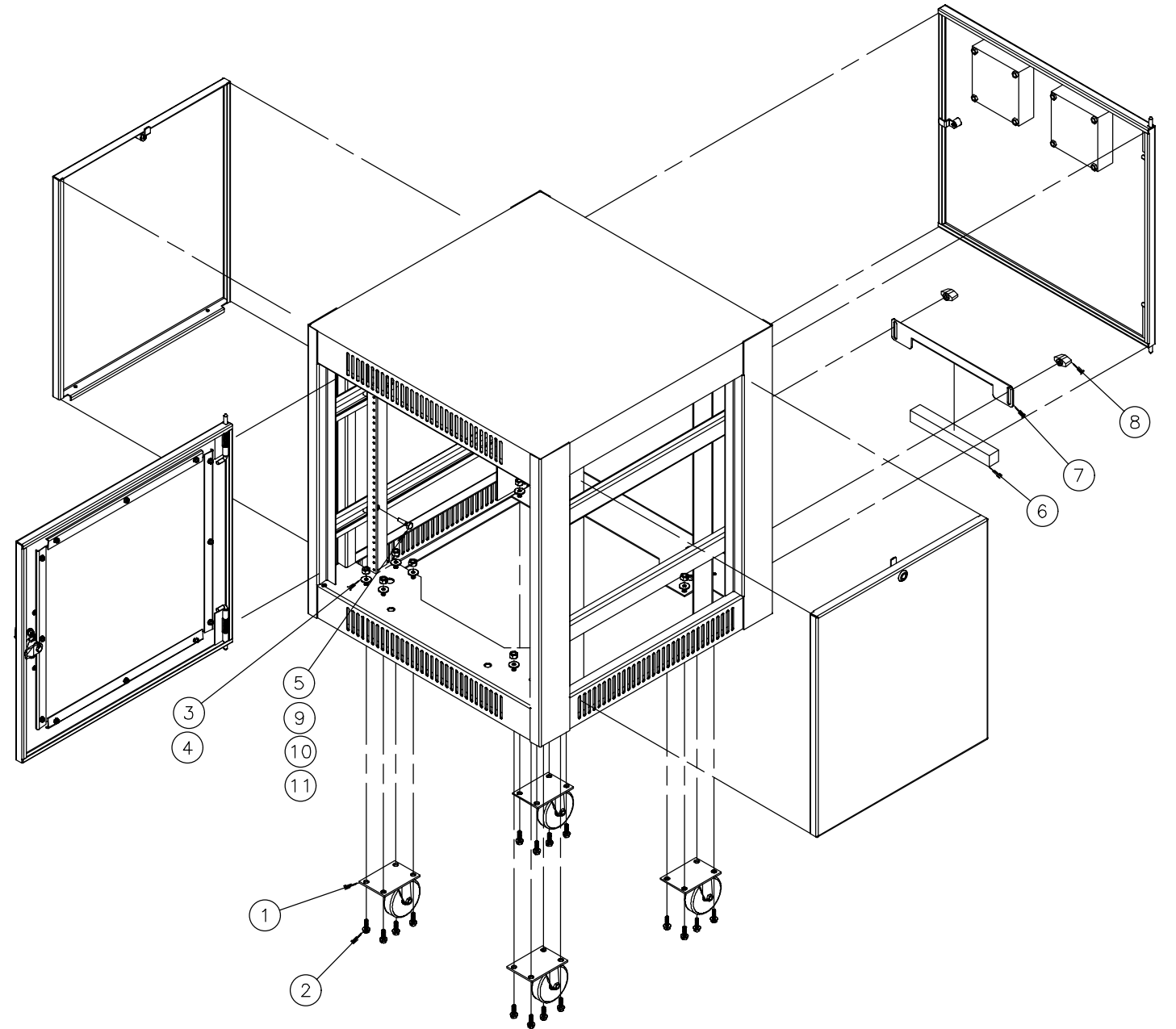


**SOHO Cabinet**  
**SOHO-Schrank**  
**Module de SOHO**  
**Cabina del SOHO**

1  (4x)	2 5/16x.625  (16x)
3  (16x)	4 5/16  (16x)
5 M12  (8x)	6  (1x)
7  (1x)	
8  (2x)	9 M10x25  (8x)
10  (8x)	11 M10  (8x)



**Hoffman Enclosures Inc.**  
2100 Hoffman Way  
Anoka, MN 55303-1745  
(763) 422-2211 Tel  
www.hoffmanonline.com

**Pentair Electronic Packaging**  
170 Commerce Drive  
Warwick, RI 02886  
(401) 732-3770  
www.pentair-ep.com

**Canada**  
Hoffman-Schroff  
111 Grangeway Avenue, Suite 504  
Scarborough, Ontario M1H 3E9  
(416) 289-2770 Fax (416) 289-2883  
1-800-668-2500 (Canada only)

**Germany**  
Schroff GmbH  
Langenlauer Str. 96-100  
75334 Straubenhardt  
49 (07082) 794-0 Fax 49 (07082) 794-200  
www.schroff.de

**Great Britain**  
Schroff UK Ltd.  
Maylands Avenue  
Hemel Hempstead, Herts HP2 7DE  
44 (01442) 240471 Fax 44 (01442) 213508  
www.schroff.co.uk

**Sweden**  
Schroff Scandinavia AB  
Box 2003  
12821 Skarpnäck  
46 08683 61 00 Fax 46 08683 61 99  
www.schroff.se

**France**  
Schroff Sas  
Z.I., 4 rue du Marais  
67660 Betschdorf  
33 03 88 90 64 90 Fax 33 03 88 90 64 88  
www.schroff.fr

**Italy**  
Schroff srl  
Viale Milano, 119  
21013 Gallarate (Varese)  
39 0331 79 40 03 Fax 39 0331 79 34 50

**Singapore**  
Hoffman-Schroff Pte. Ltd.  
#01-68/71 German Centre  
25 International Business Park  
Singapore 609916  
65 5 62-78 90 Fax 65 5 62-78 99

**Japan**  
Schroff K.K.  
Nisso No. 13 Bldg. 4F  
2-5-1 Shinyokohama  
Kohoku-Ku, Yokohama shi  
Kanagawa 222-0033  
81 (045) 476-02 81 Fax 81 (045) 476-02 89

**Finland**  
Schroff Scandinavia AB  
Peräsimentie 8  
03100 Nummela  
358 09 222 68 00 Fax 358 09 222 38 86

**Norway**  
Schroff Scandinavia AB  
Bjoernerudveien 24  
1266 Oslo  
47 022 76 33 60 Fax 47 022 76 33 69