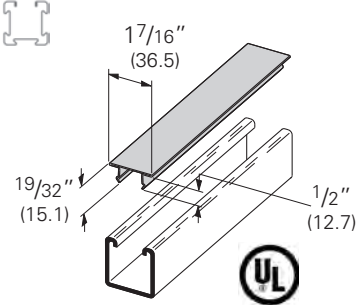


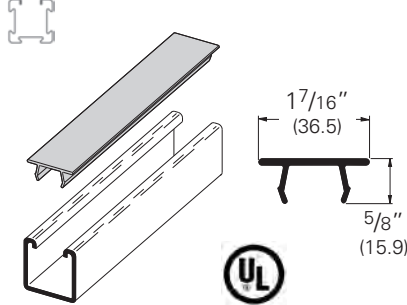
B217-20
Snap Closure Strip for All
1 5/8" (41.3) Wide Channels

- Refer to Raceway Fill Chart pages 231-232
- Material: 20 Gauge (.9)
- Standard finishes: GRN, GALV, YZN
- Standard length: 120" (3.05m)
- Wt./CFT 36 Lbs. (16.3 kg)



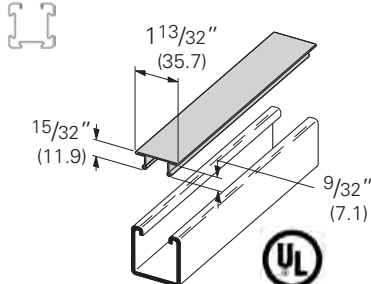
B217P
Plastic Snap Closure Strip for All
1 5/8" (41.3) Wide Channels

- Refer to Raceway Fill Chart pages 231-232
- Standard finishes: Green (GRN) or Gray (GRY) Plastic
- Standard length: 120" (3.05m)
- Wt./CFT 9.2 Lbs. (4.2 kg)



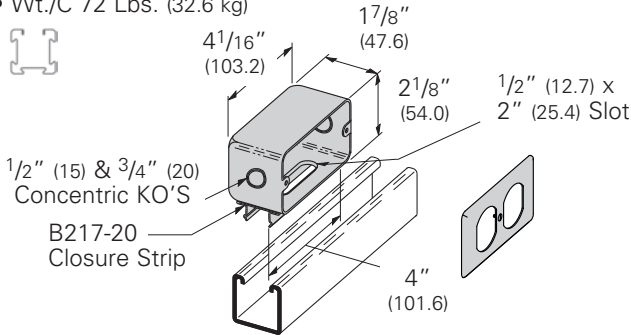
B217-24
Snap Closure Strip for All
1 5/8" (41.3) Wide Channels

- Refer to Raceway Fill Chart pages 231-232
- For use with 7 or fewer conductors no larger than #12 AWG
- Material: 24 Gauge (.6)
- Standard finishes: GRN, GALV, YZN
- Standard length: 120" (3.05m)
- Wt./CFT 28 Lbs. (12.7 kg)



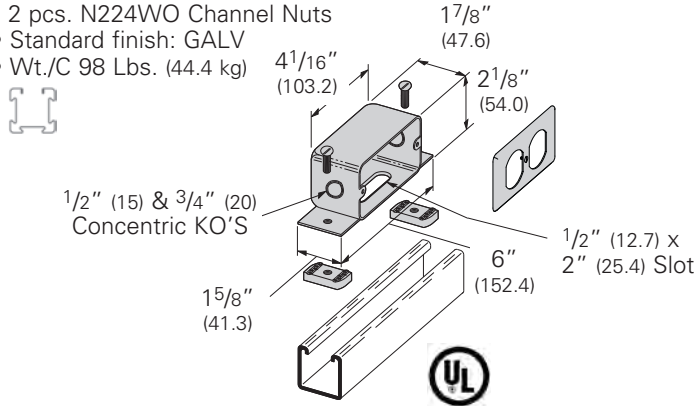
B516
Snap-In Outlet Box

- Provided with #10-32 tapped hole for grounding strap
- Duplex cover plate included
- Receptacle not furnished
- Requires ground wire installation for use with UL listed channel raceway system
- Standard finish: GALV
- Wt./C 72 Lbs. (32.6 kg)



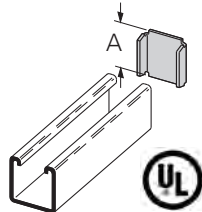
B516S
Outlet Box

- Duplex cover plate included
- Receptacle not furnished
- Includes:
 2 pcs. 1/4"-20 Flat Head Machine Screws
 2 pcs. N224WO Channel Nuts
- Standard finish: GALV
- Wt./C 98 Lbs. (44.4 kg)



B203 thru B206
B220 thru B223
X Type End Caps

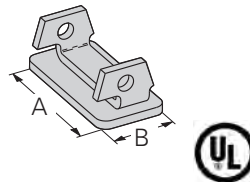
- Material: 12 Gauge (2.6)
- Standard finishes: ZN, GRN, HDG, SS4



Part No.	Use With	A		Wt./C	
		In.	mm	Lbs.	kg
B203	B42	1.015"	(25.8)	6	(2.7)
B204	B54	.827"	(21.0)	5	(2.2)
B205	B22	1.640"	(41.6)	10	(4.5)
B206	B32	1.390"	(35.3)	8	(3.6)
B220	B52	.827"	(21.0)	4	(1.8)
B221	B12	2.452"	(62.3)	15	(6.8)
B222	B11	3.265"	(82.9)	20	(9.1)
B223	B24	1.640"	(41.6)	10	(4.5)

B283 thru B286
End Caps

- Material: 12 Gauge (2.6)
- Standard finishes: ZN, GRN



Part No.	Use With	A		B		Wt./C Lbs. kg
		In.	mm	In.	mm	
B283	B52	1 19/32"	(40.5)	25/32"	(19.8)	6 (2.7)
B284	B54 & B56	1 19/32"	(40.5)	25/32"	(19.8)	6 (2.7)
B285	B22	1 19/32"	(40.5)	1 19/32"	(40.5)	13 (5.9)
B286	B24 & B26	1 19/32"	(40.5)	1 19/32"	(40.5)	14 (6.3)

4Dimension compatible fitting

Reference page 163 for general fitting and standard finish specifications. U.L. Wire Fill Chart on pages 231 - 232.