

# **BALDOR**® • ***RELIANCE***

## **Product Information Packet**

### **KNM3457/35**

**.33HP,3450RPM,3PH,60HZ,56C,3512M,TENV,F1**

Part Detail							
Revision:	K	Status:	PRD/A	Change #:		Proprietary:	No
Type:	AC	Elec. Spec:	35WGT750	CD Diagram:	CD0005	Mfg Plant:	
Mech. Spec:	35E010	Layout:	35LYE010	Poles:	02	Created Date:	01-08-2008
Base:	N	Eff. Date:	11-03-2017	Leads:	9#18		

Specs			
Catalog Number:	KNM3457/35	Insulation Class:	F
Enclosure:	TENV	Inverter Code:	Inverter Ready
Frame:	56C	KVA Code:	M
Frame Material:	Steel	Lifting Lugs:	No Lifting Lugs
Output @ Frequency:	.330 HP @ 60 HZ	Locked Bearing Indicator:	Locked Bearing
Synchronous Speed @ Frequency:	3600 RPM @ 60 HZ	Motor Lead Quantity/Wire Size:	9 @ 18 AWG
Voltage @ Frequency:	460.0 V @ 60 HZ	Motor Lead Exit:	Ko Box
	230.0 V @ 60 HZ	Motor Lead Termination:	Flying Leads
XP Class and Group:	None	Motor Type:	3512M
XP Division:	Not Applicable	Mounting Arrangement:	F1
Agency Approvals:	CSA	Power Factor:	80
	UR	Product Family:	General Purpose
Auxillary Box:	No Auxillary Box	Pulley End Bearing Type:	Ball
Auxillary Box Lead Termination:	None	Pulley Face Code:	C-Face
Base Indicator:	No Mounting	Pulley Shaft Indicator:	Standard
Bearing Grease Type:	Polyrex EM (-20F +300F)	Rodent Screen:	None
Blower:	None	RoHS Status:	ROHS COMPLIANT
Current @ Voltage:	.500 A @ 460.0 V	Shaft Extension Location:	Pulley End

	1.000 A @ 230.0 V	<b>Shaft Ground Indicator:</b>	No Shaft Grounding
	1.200 A @ 208.0 V	<b>Shaft Rotation:</b>	Reversible
<b>Design Code:</b>	B	<b>Shaft Slinger Indicator:</b>	No Slinger
<b>Drip Cover:</b>	No Drip Cover	<b>Speed Code:</b>	Single Speed
<b>Duty Rating:</b>	CONT	<b>Motor Standards:</b>	NEMA
<b>Electrically Isolated Bearing:</b>	Not Electrically Isolated	<b>Starting Method:</b>	Direct on line
<b>Feedback Device:</b>	NO FEEDBACK	<b>Thermal Device - Bearing:</b>	None
<b>Front Face Code:</b>	Standard	<b>Thermal Device - Winding:</b>	None
<b>Front Shaft Indicator:</b>	None	<b>Vibration Sensor Indicator:</b>	No Vibration Sensor
<b>Heater Indicator:</b>	No Heater	<b>Winding Thermal 1:</b>	None
		<b>Winding Thermal 2:</b>	None

Nameplate NP1256L										
CAT.NO.	KNM3457/35									
SPEC.	35E010T750G2									
HP	.33									
VOLTS	230/460									
AMP	1/5									
RPM	3450									
FRAME	56C				HZ	60			PH	3
SER.F.	1.35		CODE	M	DES	B		CLASS	F	
NEMA-NOM-EFF	78.5		PF	80						
RATING	40C AMB-CONT									
CC								USABLE AT 208V	1.2	
DE	6205				ODE	6203				
ENCL	TENV		SN							
	SFA 1.4/.7									

**AC Induction Motor Performance Data**

Record # 36643 - Typical performance - not guaranteed values

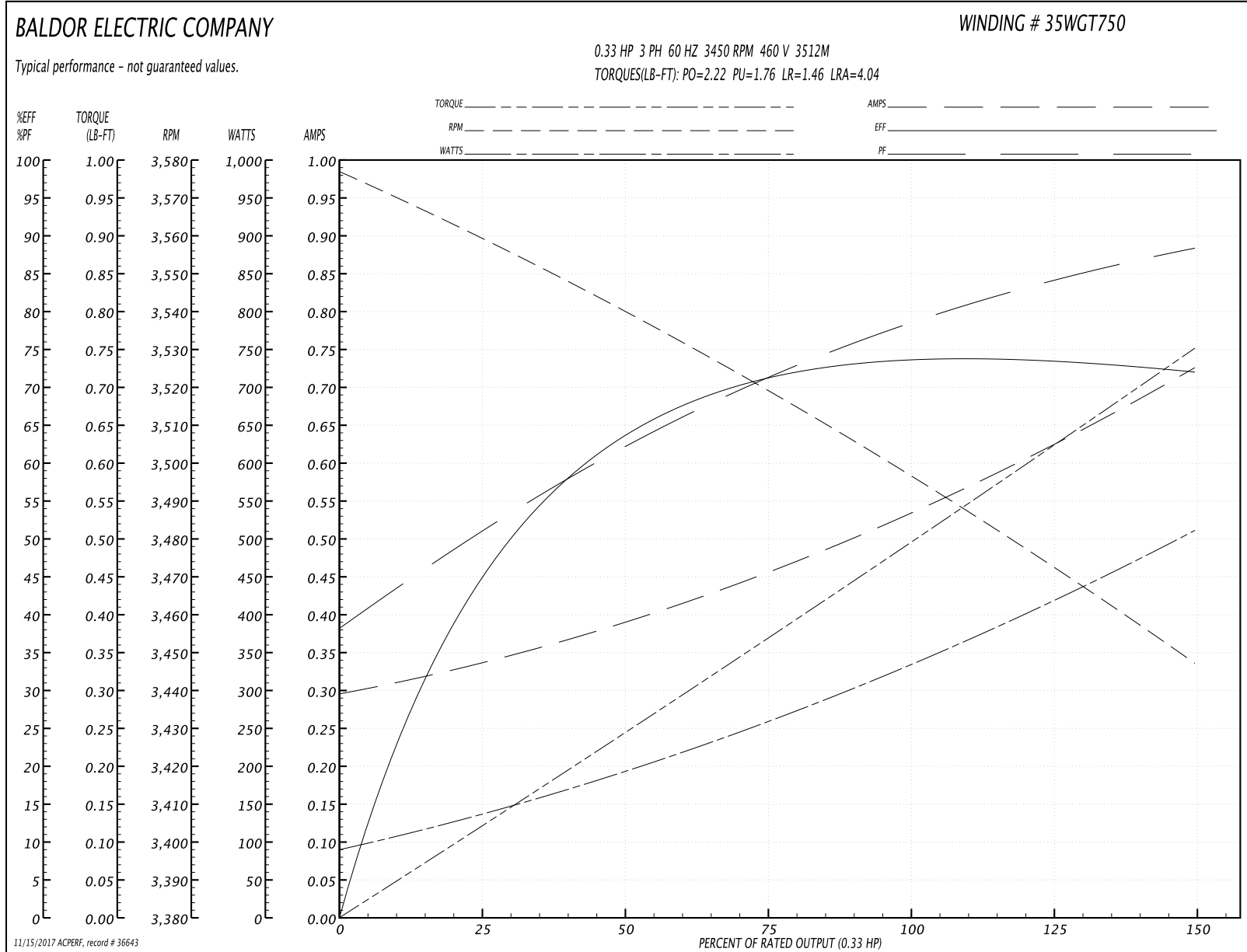
<b>Winding:</b> 35WGT750-R014	<b>Type:</b> 3512M	<b>Enclosure:</b> TENV
-------------------------------	--------------------	------------------------

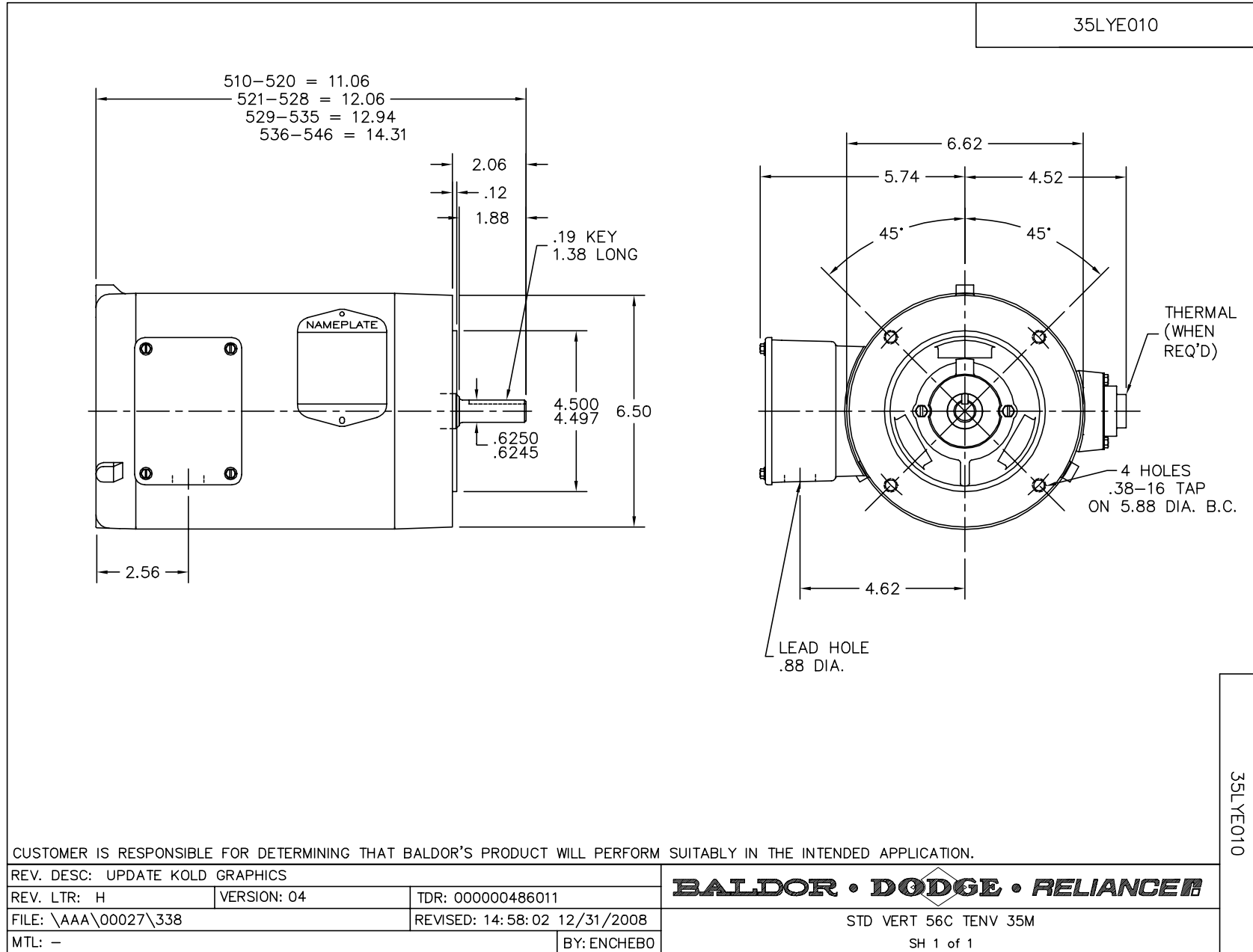
Nameplate Data				460 V, 60 Hz: High Voltage Connection	
Rated Output (HP)	.33			Full Load Torque	0.501 LB-FT
Volts	230/460			Start Configuration	direct on line
Full Load Amps	1/5			Breakdown Torque	2.22 LB-FT
R.P.M.	3450			Pull-up Torque	1.76 LB-FT
Hz	60	Phase	3	Locked-rotor Torque	1.46 LB-FT
NEMA Design Code	B	KVA Code	M	Starting Current	4.04 A
Service Factor (S.F.)	1.35			No-load Current	0.297 A
NEMA Nom. Eff.	78.5	Power Factor	80	Line-line Res. @ 25°C	49.4 Ω
Rating - Duty	40C AMB-CONT			Temp. Rise @ Rated Load	74°C
S.F. Amps	1.4/7			Temp. Rise @ S.F. Load	98°C
				Locked-rotor Power Factor	63
				Rotor inertia	0.0332 LB-FT <sup>2</sup>

Load Characteristics 460 V, 60 Hz, 0.33 HP

% of Rated Load	25	50	75	100	125	150	S.F.
Power Factor	47	71	70	74	87	88	87
Efficiency	49.8	56.7	73.5	78.3	70.9	72.4	71.7
Speed	3559	3539	3518	3496	3472	3447	3471
Line amperes	0.338	0.388	0.459	0.54	0.631	0.723	0.666

Performance Graph at 460V, 60Hz, 0.33HP Typical performance - Not guaranteed values

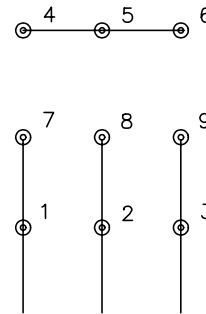




CD0005

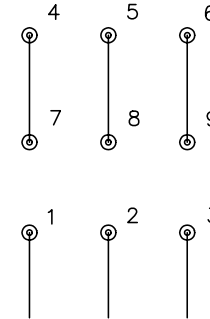


LOW VOLTAGE  
(2Y)



LINE

HIGH VOLTAGE  
(1Y)



LINE

NOTES:

1. INTERCHANGE ANY TWO LINE LEADS TO REVERSE ROTATION.
2. OPTIONAL THERMOSTATS ARE PROVIDED WHEN SPECIFIED.
3. ACTUAL NUMBER OF INTERNAL PARALLEL CIRCUITS MAY BE A MULTIPLE OF THOSE SHOWN ABOVE.
4. LEAD COLORS ARE OPTIONAL. LEADS MUST ALWAYS BE NUMBERED AS SHOWN.

REV. DESC: REVISE TO SHOW OPTIONAL COLORS			
REV. LTR: E	BY: JLP	REVISED: 01/19/99 10:15	TDR: 0171435
90000		FILE: AAA00005140	MDL: -
		MTL: -	

**BALDOR ELECTRIC Co.**

3PH, DV, 9 LEADS

CD0005