

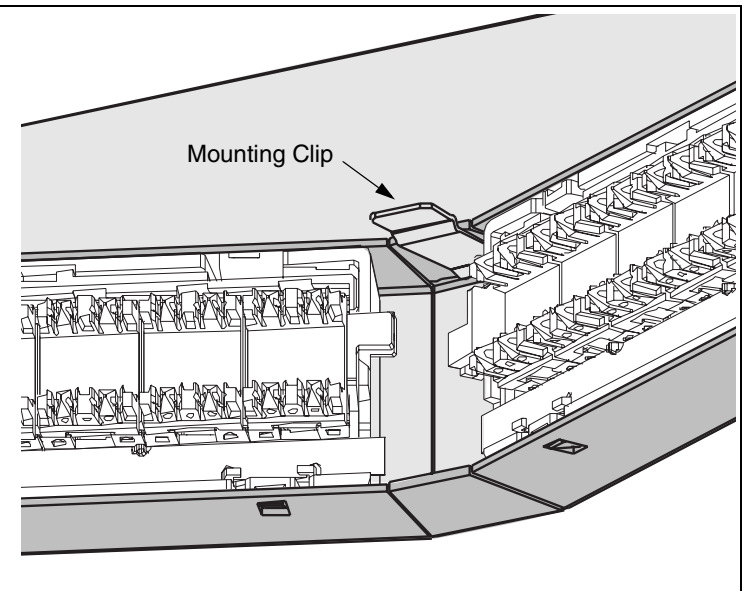
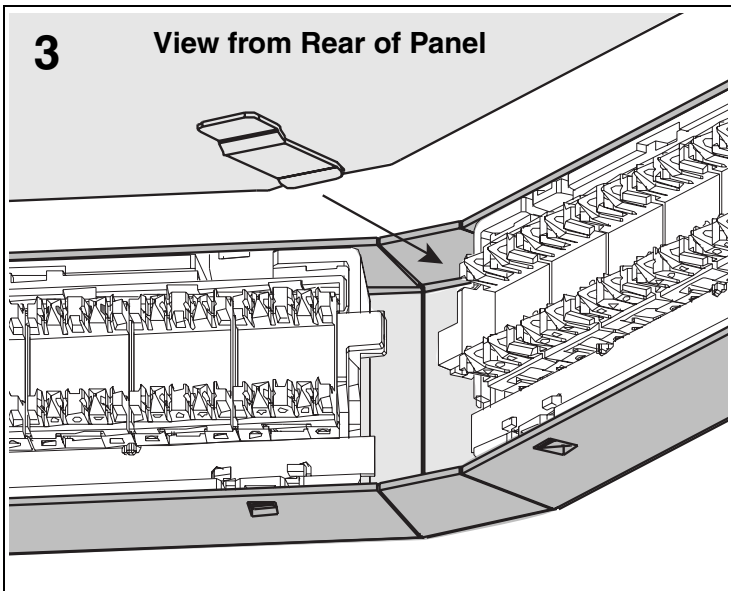
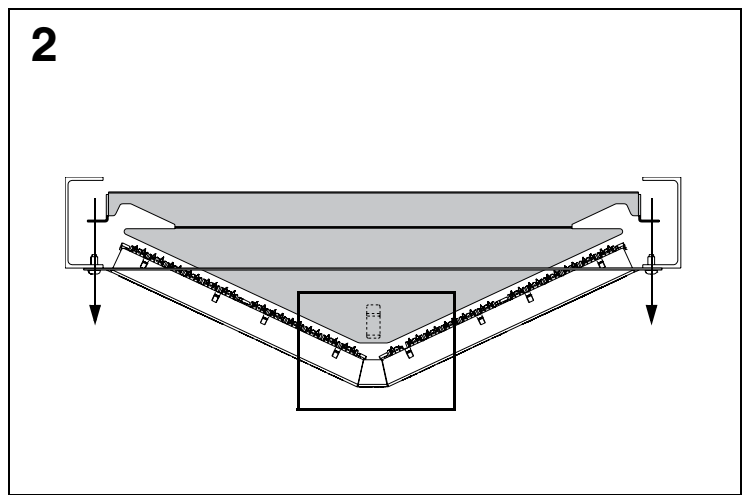
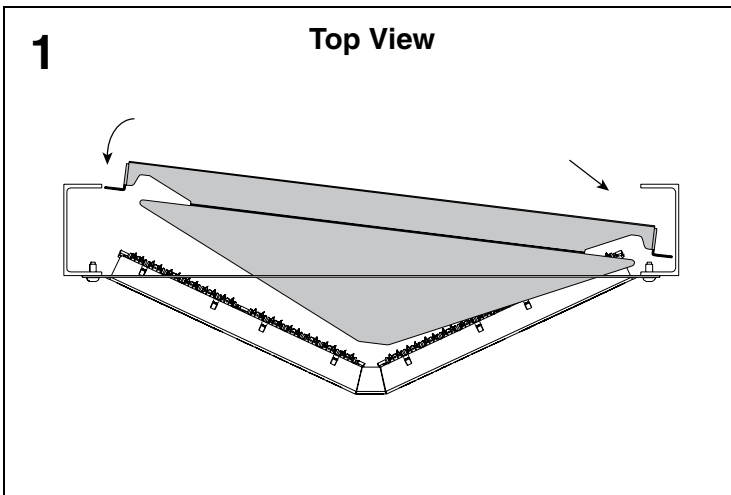
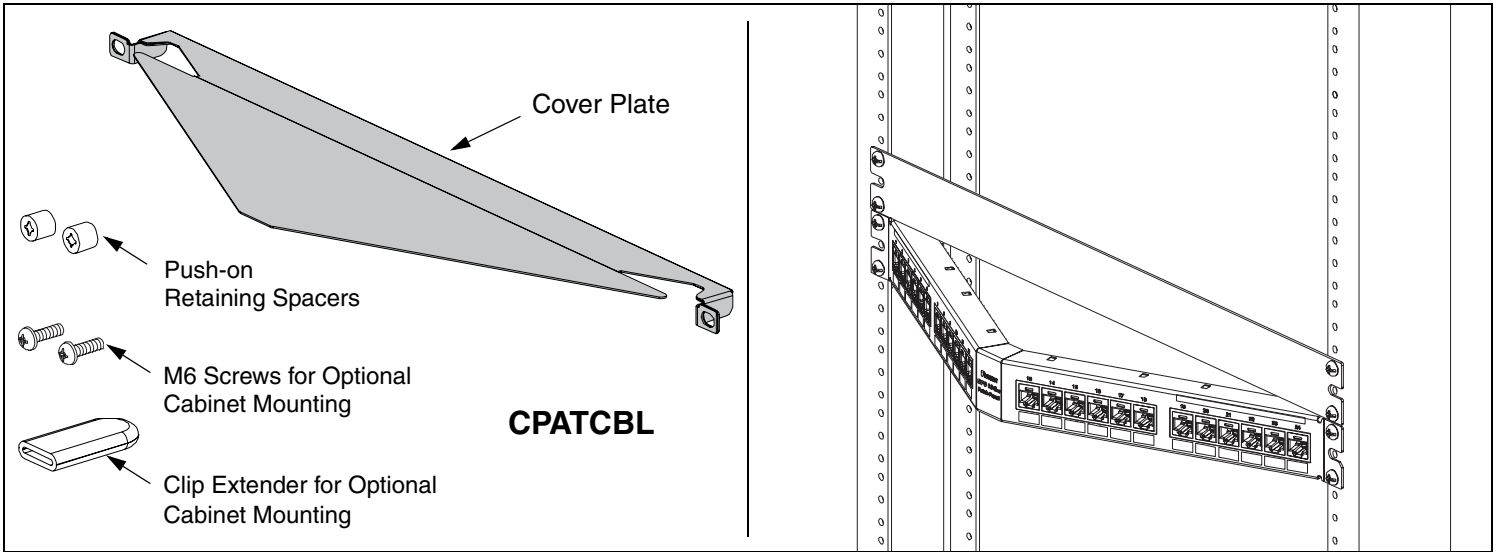


# Angled Patch Panel (Transitional) Cover Plate

Part Number: CPATCBL

© Panduit Corp. 2007

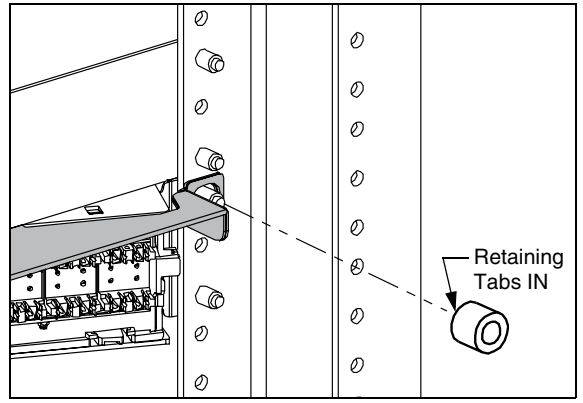
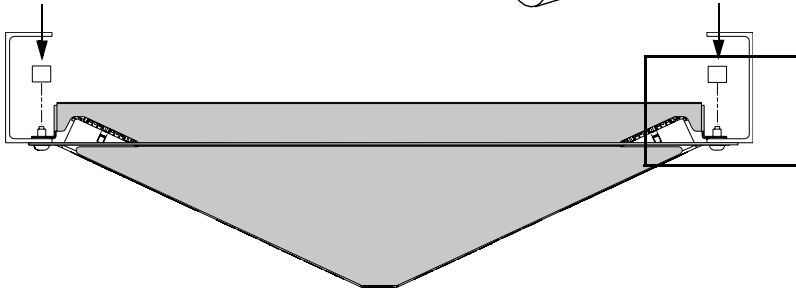
## INSTALLATION INSTRUCTIONS PN430A



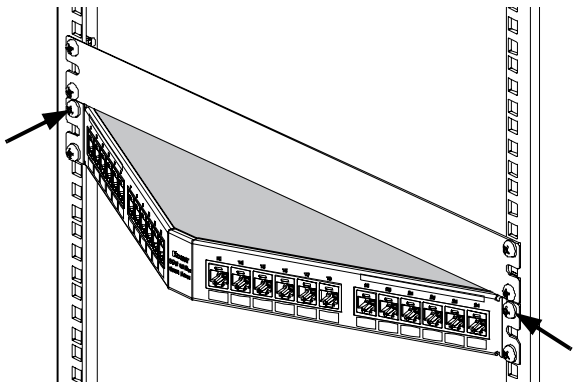
For Technical Support: [www.panduit.com/resources/install\\_maintain.asp](http://www.panduit.com/resources/install_maintain.asp)

4

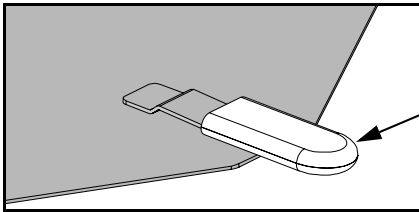
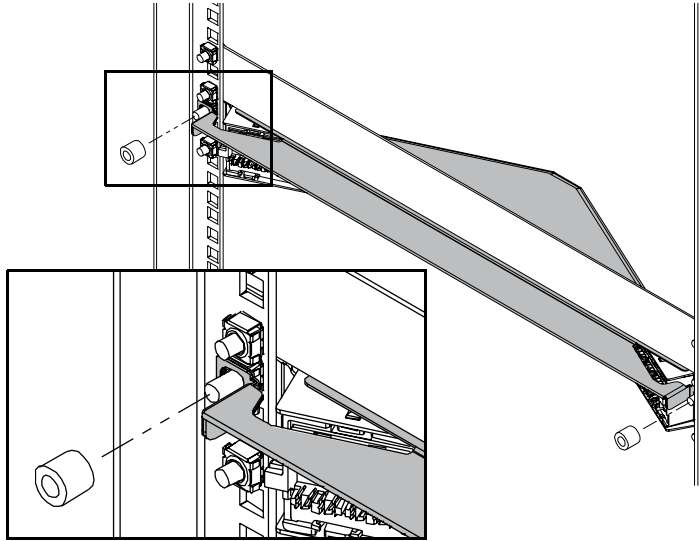
Retaining Tabs on Spacers Facing IN



**Optional: Cabinet Mounting with Cage Nuts**

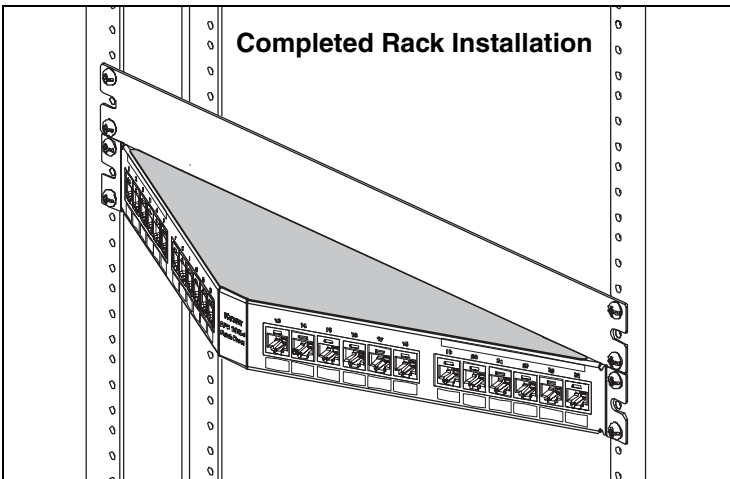


Replace existing M6 screws with the longer screws provided to allow retaining spacers to grip the threads.

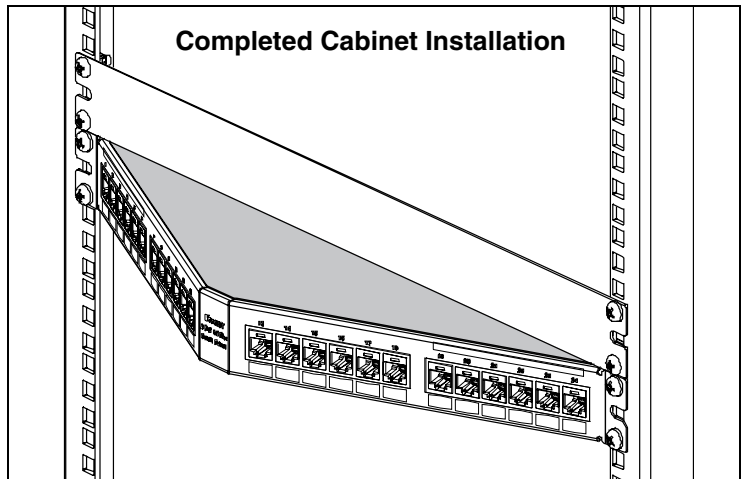


Clip extender may be necessary to ensure proper clip engagement for cabinet mounting.

**Completed Rack Installation**



**Completed Cabinet Installation**



For Instructions in Local Languages  
and Technical Support:  
[www.panduit.com/resources/install\\_maintain.asp](http://www.panduit.com/resources/install_maintain.asp)



E-mail:  
[cs@panduit.com](mailto:cs@panduit.com)  
Fax:  
(708) 444-6993