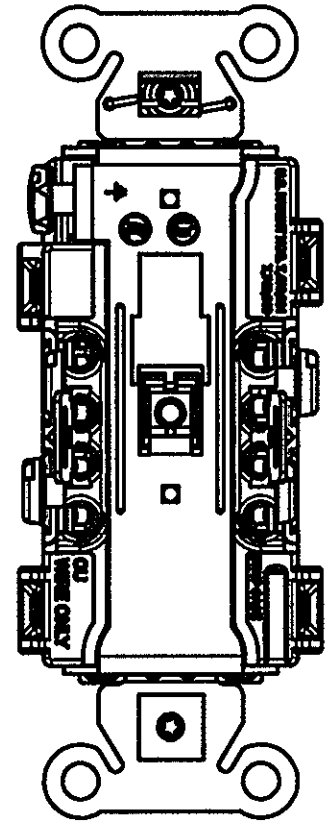
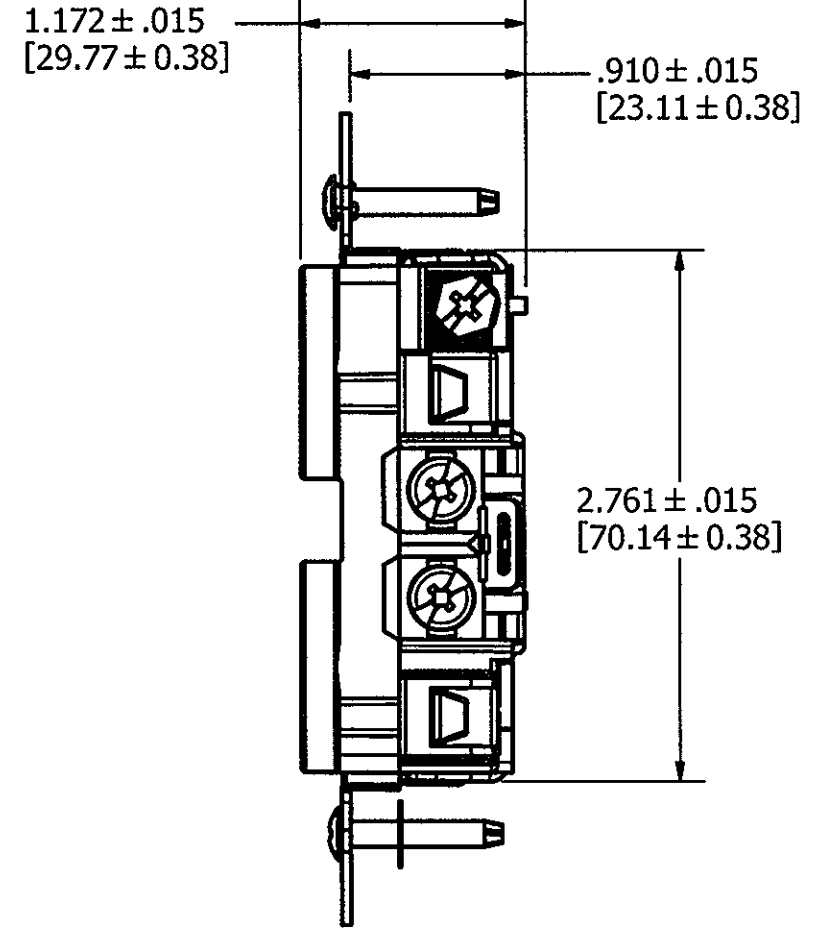
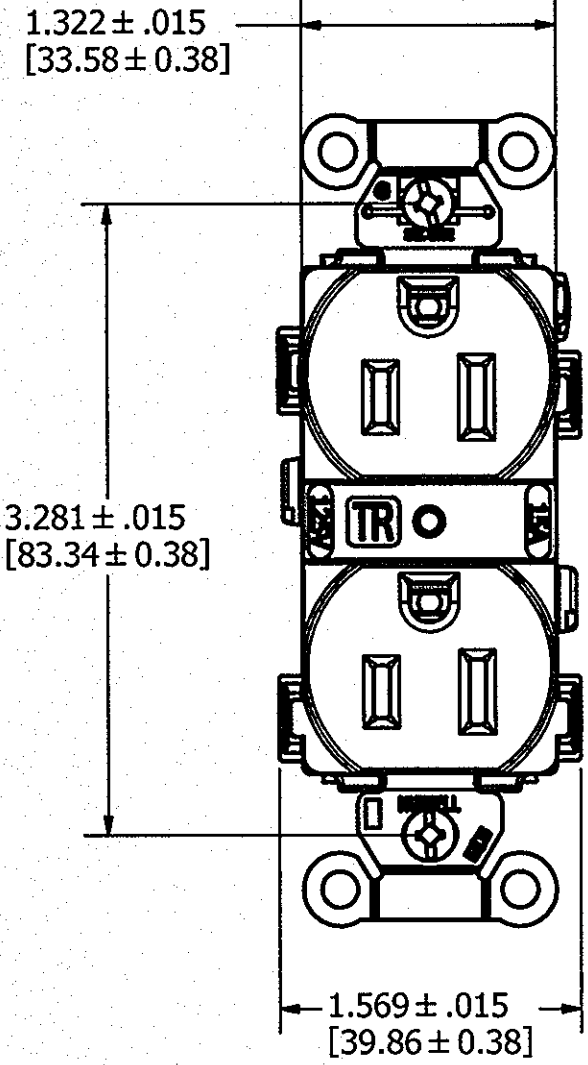


M-12706 1



**15A DEVICE SHOWN**

- NOTES:  
 1) DIMENSIONS ARE IN INCHES [MM].  
 2) ALL DEVICES UL LISTED AND CSA CERTIFIED.  
 3) TERMINALS ACCOMODATE #14-#10 AWG COPPER WIRE ONLY.

CATALOG NUMBERS SPEC. GRADE DPLX REC. TRAPDOOR TR, NON LED

	ALMOND	BLACK	GRAY	IVORY	LIGHT ALMOND	RED	BROWN	WHITE	OFFICE WHITE	ORANGE	BLUE
15A	-	HBL5262BKTR	HBL5262GYTR	HBL5262ITR	HBL5262LATR	HBL5262RTR	HBL5262TR	HBL5262WTR	-	-	HBL5262BLTR
20A	-	HBL5362BKTR	HBL5362GYTR	HBL5362ITR	HBL5362LATR	HBL5362RTR	HBL5362TR	HBL5362WTR	-	-	HBL5362BLTR

LIST OF PARTS		
DESCRIPTION	MATERIAL	FINISH
TOP	NYLON 6/6	SPI A-3
BASE	NYLON 6/6	SPI A-3
LINE CONTACTS	BRASS	
GROUND CONTACTS	BRASS	
CONTACT SCREW (NEU)	STEEL	
CONTACT SCREW (HOT)	STEEL	
BRIDGE	.047 THK. BRASS	
GROUND SCREW	STEEL	GREEN
STAPLE	S.S.	
WASHER	PVC FILM	BLACK
MOUNTING SCREW	STEEL	ZINC PLT

DIMENSION SHEET FOR CAT. NO. SEE TABLE  
 REPAIRABLE  NON-REPAIRABLE

1	RELEASED PER DCN20775 EB TLS	TLS	E.B.
SYM	DESCRIPTION	APPRO	DATE

THE DESIGN AND DIMENSIONS OF THE PRODUCT SHOWN ON THIS DRAWING ARE SUBJECT TO CHANGE WITHOUT NOTICE

TITLE 15A/20A 125V, 2P 3W SPEC. GRADE DUPLEX RECEPTACLE TRAPDOOR TAMPER RESISTANT, NON LED BACK & SIDE WIRE

TOLERANCES UNLESS OTHERWISE SPECIFIED FRACTIONS ±1/64 DECIMALS ±.005 ANGLES ±2°	WIRING DEVICE-KELLEMS HUBBELL INCORPORATED SHELTON, CT	
	DR. BY ebazayev	APP. BY TLS
	TR. BY	SCALE 1:1
	CHK'D BY TLS	DATE 9/15/2014