

Floodlight brackets for steel and wood poles.

Color: Galvanized

Weight: 9.6 lbs

<b>Project:</b>	<b>Type:</b>
<b>Prepared By:</b>	<b>Date:</b>

**Technical Specifications**

**Construction**

**Finish:**

Galvanized steel

**EPA Maximum Capacity:**

7.4

**Bracket:**

3/16" thick steel

**Other**

**Description:**

Right Angle Bracket for Wood

**Maximum Weight:**

105 lbs

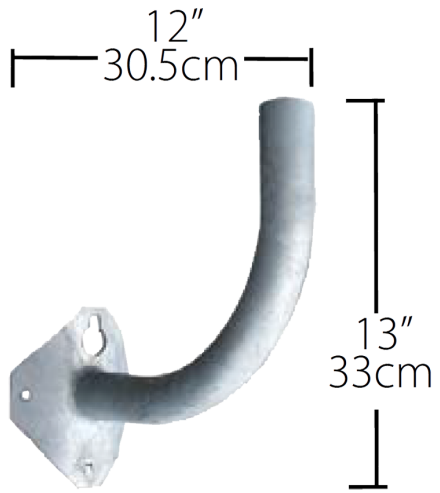
**Patents:**

The designs of fixtures are protected under U.S. and international intellectual property laws.

**Buy American Act Compliance:**

RAB values USA manufacturing! Upon request, RAB may be able to manufacture this product to be compliant with the Buy American Act (BAA). Please contact customer service to request a quote for the product to be made BAA compliant.

## Dimensions



## Features

- Easy, secure floodlight mounting
- Double Reinforced weld joints