

# **BALDOR**® • *RELIANCE*

## **Product Information Packet**

# **ECP2334T-4**

**20HP,1765RPM,3PH,60HZ,256T,0952M,TEFC,F1**

Part Detail							
Revision:	AN	Status:	PRD/A	Change #:		Proprietary:	No
Type:	AC	Elec. Spec:	09WGY639	CD Diagram:	CD0006	Mfg Plant:	
Mech. Spec:	09J371	Layout:	09LYJ371	Poles:	04	Created Date:	08-29-2010
Base:	RG	Eff. Date:	09-14-2017	Leads:	3#12		

Specs			
Catalog Number:	ECP2334T-4	Inverter Code:	Inverter Duty
Enclosure:	TEFC	KVA Code:	H
Frame:	256T	Lifting Lugs:	Standard Lifting Lugs
Frame Material:	Iron	Locked Bearing Indicator:	Locked Bearing
Output @ Frequency:	20.000 HP @ 60 HZ	Motor Lead Quantity/Wire Size:	3 @ 12 AWG
Synchronous Speed @ Frequency:	1800 RPM @ 60 HZ	Motor Lead Exit:	Ko Box
Voltage @ Frequency:	460.0 V @ 60 HZ	Motor Lead Termination:	Flying Leads
XP Class and Group:	None	Motor Type:	0952M
XP Division:	Division II	Mounting Arrangement:	F1
Agency Approvals:	UR	Power Factor:	84
	CSA EEV	Product Family:	Super-E Chemical Processing
	CSA	Pulley End Bearing Type:	Ball
Auxillary Box:	No Auxillary Box	Pulley Face Code:	Standard
Auxillary Box Lead Termination:	None	Pulley Shaft Indicator:	Standard
Base Indicator:	Rigid	Rodent Screen:	None
Bearing Grease Type:	Polyrex EM (-20F +300F)	Shaft Extension Location:	Pulley End
Blower:	None	Shaft Ground Indicator:	No Shaft Grounding
Constant Torque Speed Range:	1.1	Shaft Rotation:	Reversible

<b>Current @ Voltage:</b>	24.000 A @ 460.0 V	<b>Shaft Slinger Indicator:</b>	Shaft Slinger
<b>Design Code:</b>	A	<b>Speed Code:</b>	Single Speed
<b>Drip Cover:</b>	No Drip Cover	<b>Motor Standards:</b>	NEMA
<b>Duty Rating:</b>	CONT	<b>Starting Method:</b>	Direct on line
<b>Electrically Isolated Bearing:</b>	Not Electrically Isolated	<b>Thermal Device - Bearing:</b>	None
<b>Feedback Device:</b>	NO FEEDBACK	<b>Thermal Device - Winding:</b>	None
<b>Front Face Code:</b>	Standard	<b>Vibration Sensor Indicator:</b>	No Vibration Sensor
<b>Front Shaft Indicator:</b>	None	<b>Winding Thermal 1:</b>	None
<b>Heater Indicator:</b>	No Heater	<b>Winding Thermal 2:</b>	None
<b>Insulation Class:</b>	F	<b>XP Temp Code:</b>	T3C

Nameplate NP3241											
CAT.NO.	ECP2334T-4	P/N		ENCLOSURE	TEFC						
SPEC.	09J371Y639	CC	010A	FRAME	256T	S/N					
HP	20	CLASS	F	HZ	60	DES	A				
RPM	1765	RPM MAX	2700	PH	3	KVA-CODE	H				
VOLT	460	MOTOR WEIGHT	333								
AMP	24	SER.F.	1.15	PF	84	ODE BRG	6309	DE BRG	6309		
RATING	40C AMB-CONT	NEMA-NOM-EFF	93	GREASE	POLYREX EM						
				INV.TYPE	PWM						
TEMP CODE	T3C	INVERTER-TEMP-CODE	180								
TEMP =	160	C HP FR	60	C HP TO	90						
CT HZ FROM	1.1	CT HZ TO	60								
HTR-VOLTS		HTR-AMPS		HTR-WATTS		MAX. SPACE HEATER TEMP.		VT HZ FROM	0	VT HZ TO	60

**AC Induction Motor Performance Data**

Record # 47169 - Typical performance - not guaranteed values

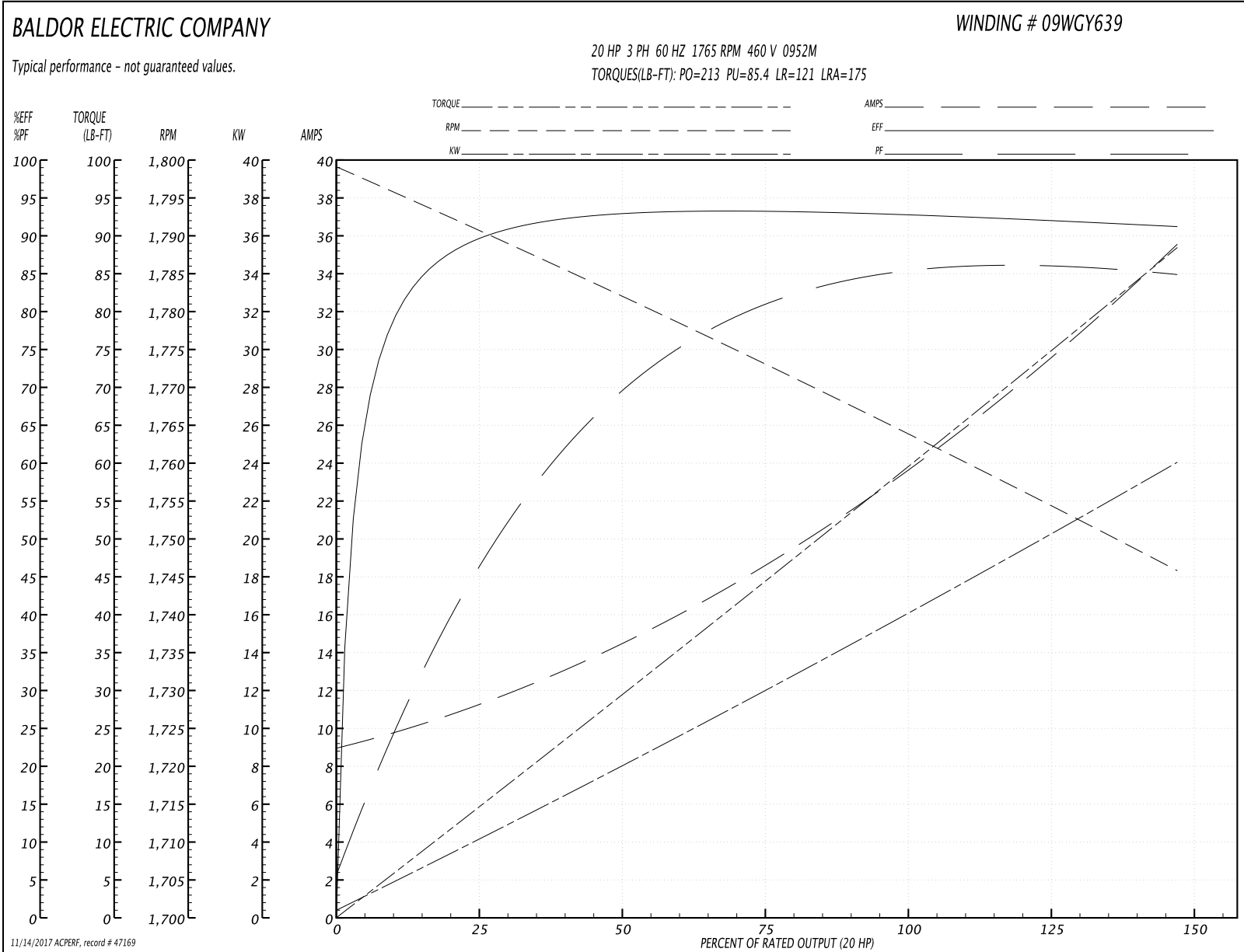
<b>Winding:</b> 09WGY639-R058	<b>Type:</b> 0952M	<b>Enclosure:</b> TEFC
-------------------------------	--------------------	------------------------

Nameplate Data				460 V, 60 Hz: Single Voltage Motor	
Rated Output (HP)	20			Full Load Torque	59 LB-FT
Volts	460			Start Configuration	direct on line
Full Load Amps	24			Breakdown Torque	213 LB-FT
R.P.M.	1765			Pull-up Torque	85.4 LB-FT
Hz	60	Phase	3	Locked-rotor Torque	121 LB-FT
NEMA Design Code	A	KVA Code	H	Starting Current	175 A
Service Factor (S.F.)	1.15			No-load Current	9.4 A
NEMA Nom. Eff.	93	Power Factor	84	Line-line Res. @ 25°C	0.402 Ω
Rating - Duty	40C AMB-CONT			Temp. Rise @ Rated Load	60°C
S.F. Amps				Temp. Rise @ S.F. Load	74°C
				Locked-rotor Power Factor	33
				Rotor inertia	2.27 LB-FT <sup>2</sup>

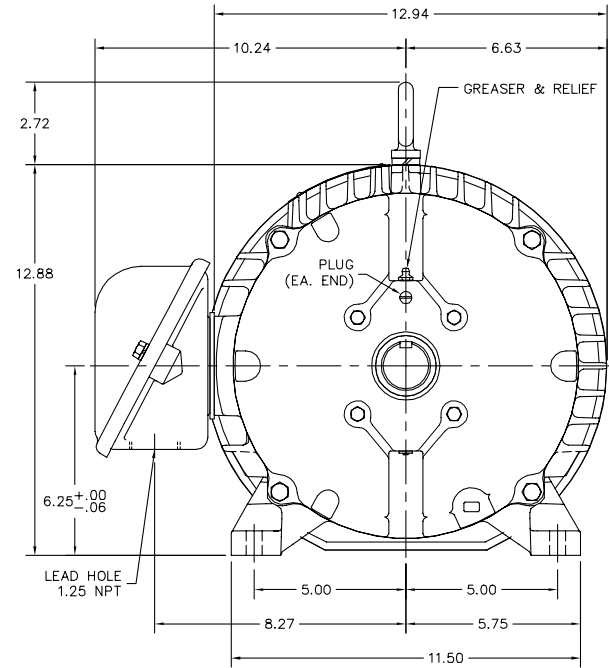
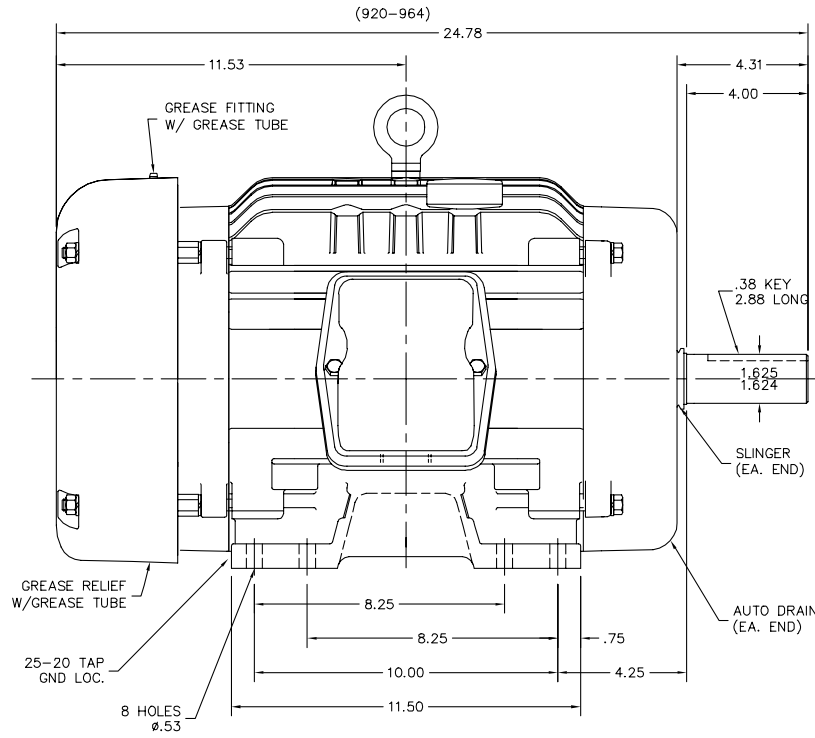
Load Characteristics 460 V, 60 Hz, 20 HP

% of Rated Load	25	50	75	100	125	150	S.F.
Power Factor	46	69	80	84	86	87	85
Efficiency	89	92.8	93.1	93	92.2	91.1	92.5
Speed	1791	1783	1770	1766	1756	1745	1760
Line amperes	10.7	14	19.1	23.7	29.1	35.4	26.9

Performance Graph at 460V, 60Hz, 20.0HP Typical performance - Not guaranteed values



09LYJ371



09LYJ371

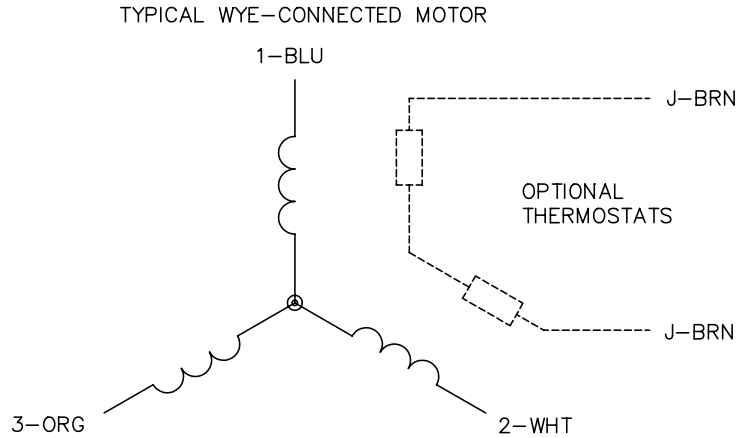
CUSTOMER IS RESPONSIBLE FOR DETERMINING THAT BALDOR'S PRODUCT WILL PERFORM SUITABLY IN THE INTENDED APPLICATION.

REV. DESC: UPDATE STACK RANGE		
REV. LTR: K	VERSION: 10	TDR: 000001043487
FILE: \AAA\00174\539	REVISED: 12:23:37 09/14/2017	BY: ENBRIRO
MTL: -		

**BALDOR**

HORZ TEFC 254-6T ECP W/309 BRGS, PLS GREASING  
SH 1 of 1

CD0006



NOTES:

1. THREE LEAD MOTOR MAY BE EITHER WYE CONNECTED OR DELTA CONNECTED.
2. INTERCHANGE ANY TWO LINE LEADS TO REVERSE ROTATION.
3. OPTIONAL THERMOSTATS ARE PROVIDED WHEN SPECIFIED.
4. ACTUAL NUMBER OF INTERNAL PARALLEL CIRCUITS MAY VARY.
5. LEAD COLORS ARE OPTIONAL. LEADS MUST BE NUMBERED AS SHOWN.

REV. DESC: REVISE TO SHOW OPTIONAL COLORS			
REV. LTR: D	BY: JLP	REVISED: 01/21/99 4:02	TDR: 0171435
9000D		FILE: AAA00005141	MDL: -
		MTL: -	

**BALDOR ELECTRIC Co.**

3PH, SV, 3 LEADS, WYE OR DELTA CONNECTED

CD0006