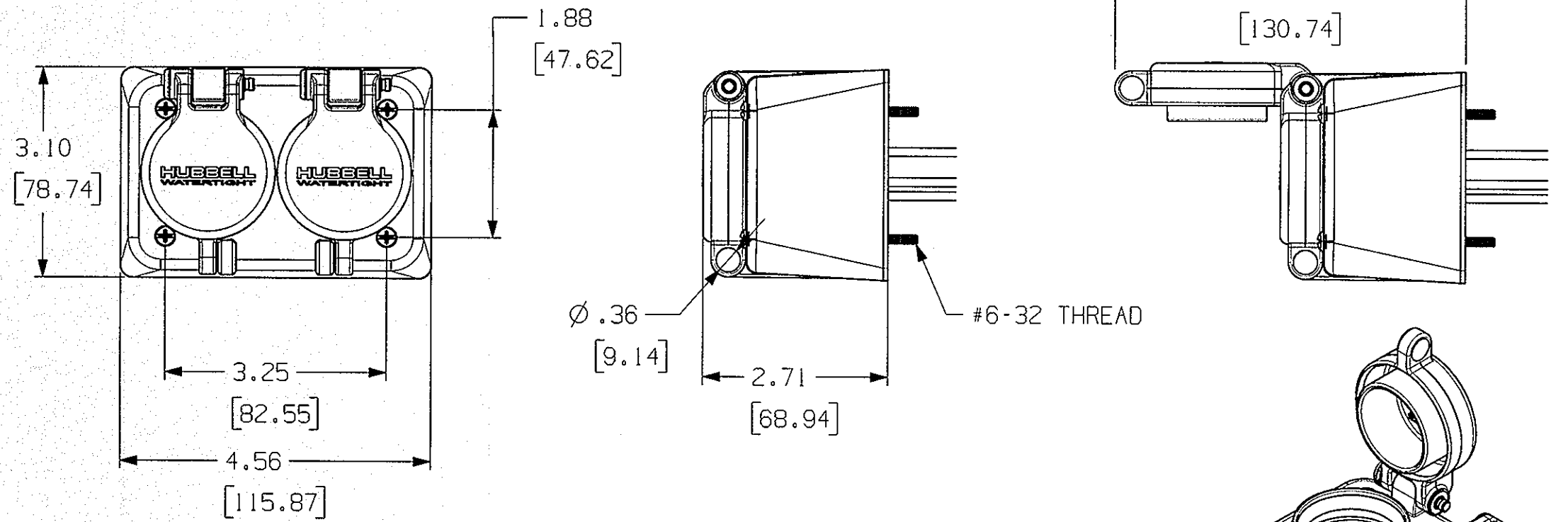


M-12692 1

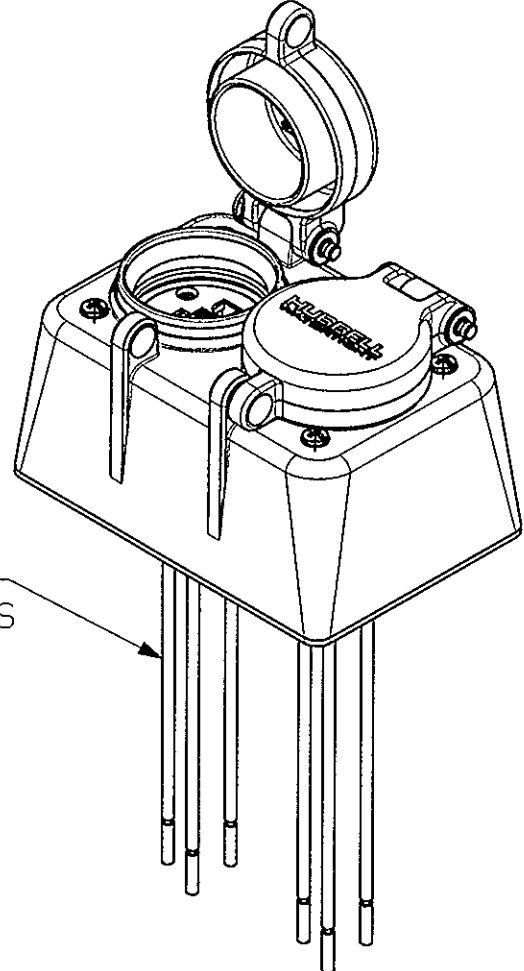


- NOTES:
1. DIMENSIONS SHOWN ARE TYPICAL. DIMENSION UNITS: INCHES [mm].
 2. DEVICES ARE UL LISTED PER UL 514D & UL50E WITH THE RECEPTACLES EVALUATED TO UL 498.
 3. ENVIRONMENTAL RATING IS 4X WHEN MATED TO A DEVICE IN THE SAME FAMILY OR WITH THE FLIP LID CLOSED.

DEVICES	TERMINAL CAPACITY
15A & 20A STRAIGHT BLADE RECEPTACLES	18 AWG - 12 AWG
15A TWIST-LOCK RECEPTACLE	14 AWG - 10 AWG

CATALOG NO.	HBL60W47D	HBL60W33D	HBL60W49D	HBL60W48D	HBL65W47D	HBL65W49D	HBL65W34D
NEMA CONFIG							
RATING	15A, 125V	20A, 125V	15A, 250V	20A, 250V	15A, 125V	15A, 250V	15A, 277VAC
POLES/WIRES	2P/3W GROUNDING	2P/3W GROUNDING	2P/3W GROUNDING	2P/3W GROUNDING	2P/3W GROUNDING	2P/3W GROUNDING	2P/3W GROUNDING

DESCRIPTION	MATERIAL	FINISH
FLIP LID & COVER PLATE	PBT THERMOPLASTIC	YELLOW
SEAL COLLAR	THERMOPLASTIC ELASTOMER	YELLOW
CONNECTOR BODY	PBT THERMOPLASTIC	WHITE
CONTACTS	BRASS	NICKEL
CONTACT RETAINER	POLYCARBONATE	CLEAR
DRIVE SCREW	STEEL	CHROMATE
TERMINAL SCREWS	STEEL	CHROMATE
BODY/FACE SCREWS	STAINLESS STEEL	
MOUNTING SCREWS	STAINLESS STEEL	
HINGE PIN	STAINLESS STEEL	
RETAINING RING	STAINLESS STEEL	
TORSION SPRING	STAINLESS STEEL	



SYMBOL	DESCRIPTION	APP	DATE
1	INITIAL RELEASE PER DCN #21110 WRV <i>WRV</i>		03/18/15
	REVISIONS		

THE DESIGN AND DIMENSIONS OF THE PRODUCT SHOWN ON THIS DRAWING ARE SUBJECT TO CHANGE WITHOUT NOTICE

TITLE WATERTIGHT DUPLEX RECEPTACLES CUSTOMER DRAWING

TOLERANCES UNLESS OTHERWISE SPECIFIED .XX = ±.01 .XXX = ±.005 ANGLES = ±2°	WIRING DEVICE-KELLEMS HUBBELL INCORPORATED SHELTON, CT	
	DR. BY WRV	APP. BY
	TR. BY	SCALE 1:2
	CHK. BY	DATE 12/2014