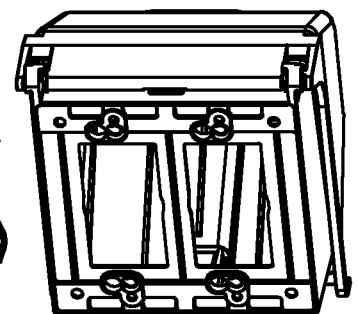
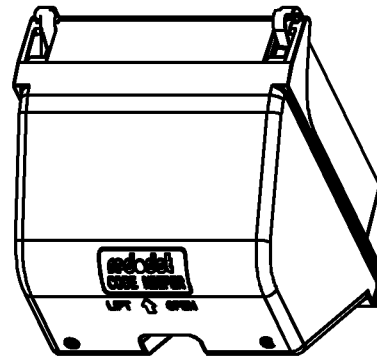
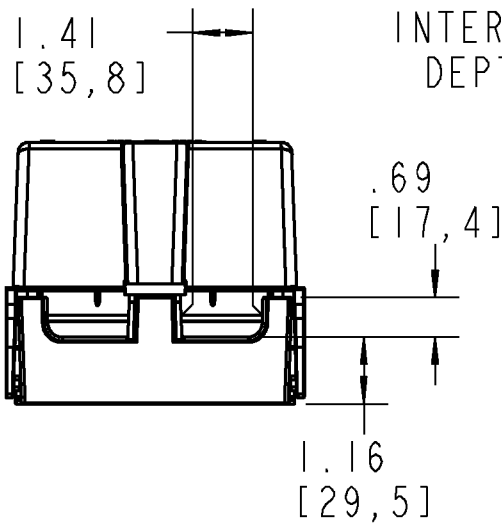
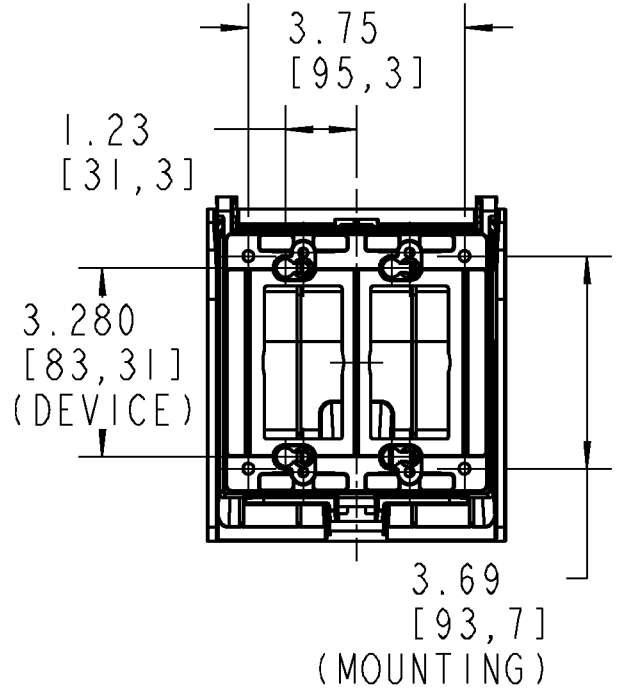
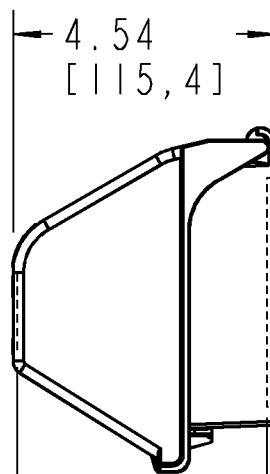
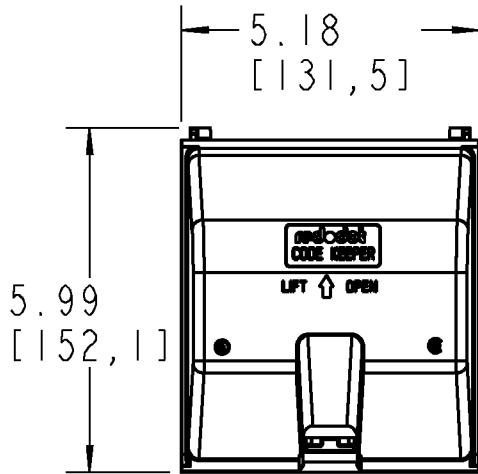




Red-Dot



NOTES:

- 1.) MATERIAL: ALUMINUM A360
- 2.) FINISH: SILVER GREY POWDER COAT
- 3.) INSTRUCTION SHEET, ADAPTER PLATES, GASKET AND MOUNTING HARDWARE INCLUDED

CATALOG NO. 2CKU

| | | | | | |
|---|--|--|-----------|----------|-------------------|
| GENERAL NOTES | | Thomas & Betts <small>www.tnb.com</small> | | | |
| 1. ALL DIMENSIONS ARE FOR REFERENCE ONLY. 2. DIMENSIONS IN BRACKETS [] ARE IN METRIC UNITS. | | | | | |
| REVISIONS | | DESCRIPTION: 2-GANG WEATHERPROOF COVER 4 3/4" | | | |
| ** SEE ERN (****) FOR APPROVAL SIGNATURES & RELEASE DATE. PROJECT NO: **** | | ORIGINAL PROJECT NO / (ERN NO) | SHEET NO: | REV. NO: | DRAWING NO: |
| | | ND55795 / (2010798) | 1 OF 1 | - | WSD-000495 |