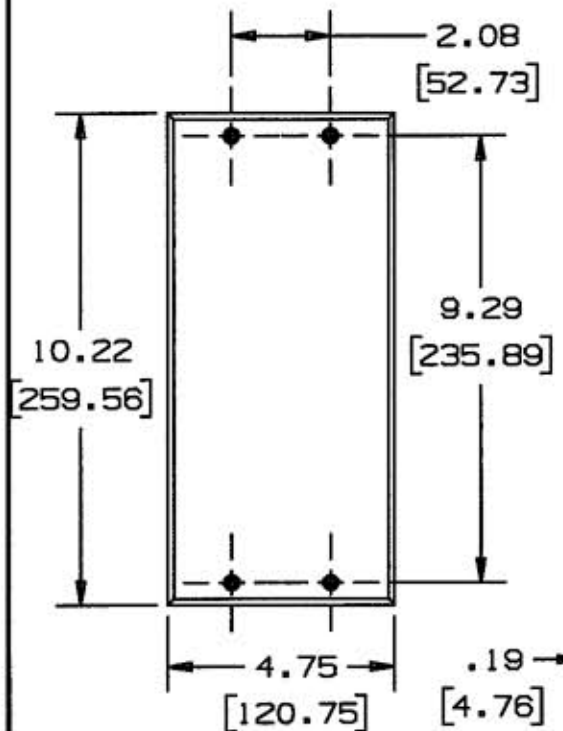


M-10411 2



2 DUPLEX-2 MOD. FURN.

CAT. NO.	COLOR
HBL47472BBFFIV	IVORY
HBL47472BBFFGY	GRAY

2 DUPLEX-2 BLANK

CAT. NO.	COLOR
HBL47472BBXXIV	IVORY
HBL47472BBXXGY	GRAY

2 DUPLEX-2 STYLE LINE

CAT. NO.	COLOR
HBL47472BBRRIV	IVORY
HBL47472BBRRGY	GRAY

4 DUPLEX

CAT. NO.	COLOR
HBL47472BBBIV	IVORY
HBL47472BBBGY	GRAY

2 DUPLEX 2 BEZEL

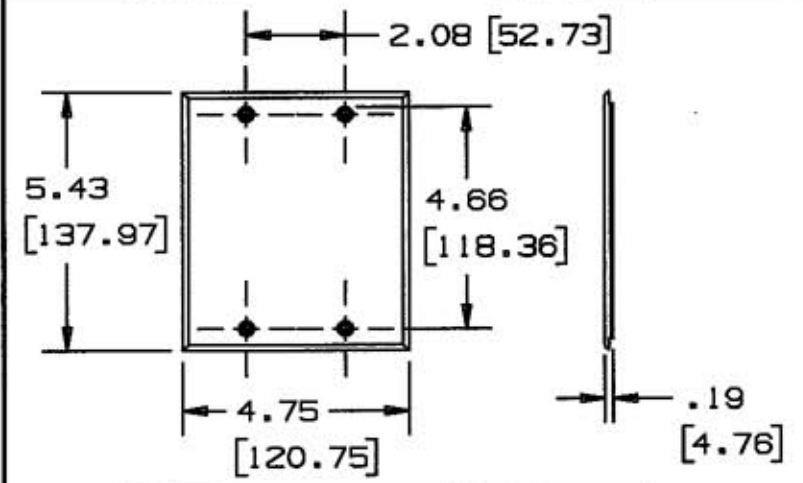
CAT. NO.	COLOR
HBL47472BBSSIV	IVORY
HBL47472BBSSGY	GRAY
HBL47472BBTTIV	IVORY
HBL47472BBTTGY	GRAY

2 STYLE LINE 2 BLANK

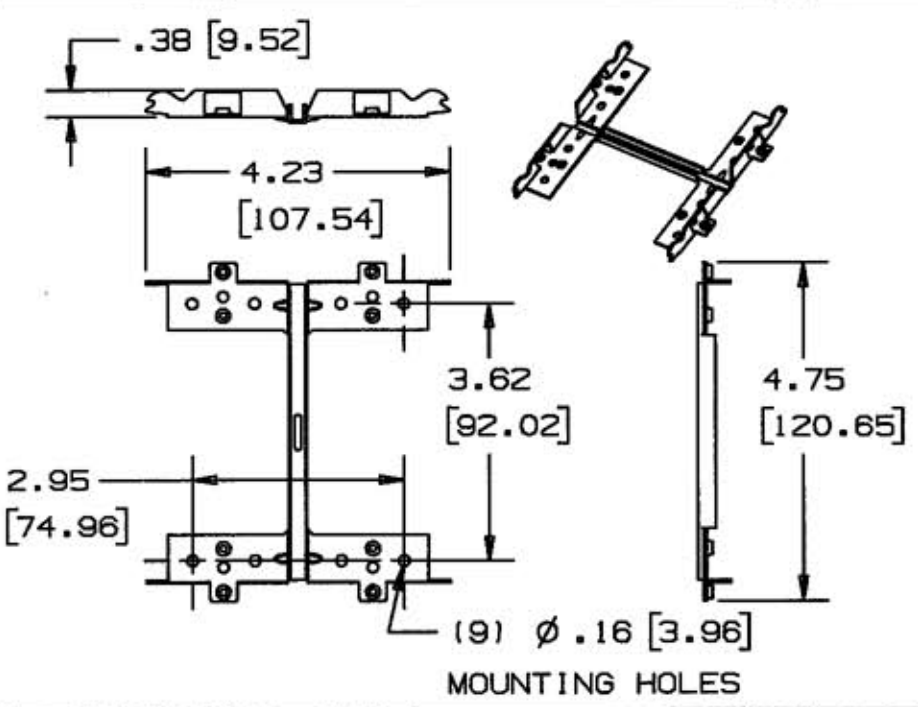
CAT. NO.	COLOR
HBL47472RRXXIV	IVORY
HBL47472RRXXGY	GRAY

4 GANG OVERLAP COVERS

4 GANG DEVICE PLATE TYPICAL DIMENSIONS



2 GANG DEVICE PLATE TYPICAL DIMENSIONS



MOUNTING BRACKETS SUPPLIED WITH ALL DEVICE PLATE MODELS:
 2 GANG, 1 BRACKET SUPPLIED
 4 GANG, 2 BRACKETS SUPPLIED

1 DUPLEX 1 STYLE LINE

CAT. NO.	COLOR
HBL4747BRIV	IVORY
HBL4747BRGY	GRAY

1 DUPLEX-1 MOD. FURN.

CAT. NO.	COLOR
HBL4747BFIV	IVORY
HBL4747BFGY	GRAY

1 ϕ 1.6 [40.6] 1 BLANK

CAT. NO.	COLOR
HBL4747JXIV	IVORY
HBL4747JXGY	GRAY

1 STYLE LINE 1 MOD. FURN.

CAT. NO.	COLOR
HBL4747RFIV	IVORY
HBL4747RFGY	GRAY

1 ϕ 1.4 [35.6] 1 BLANK

CAT. NO.	COLOR
HBL4747AXIV	IVORY
HBL4747AXGY	GRAY

2 DUPLEX

CAT. NO.	COLOR
HBL4747BBIV	IVORY
HBL4747BBGY	GRAY

1 DUPLEX 1 BEZEL

CAT. NO.	COLOR
HBL4747BSIV	IVORY
HBL4747BSGY	GRAY
HBL4747BTIV	IVORY
HBL4747BTGY	GRAY

1 STYLE LINE 1 BLANK

CAT. NO.	COLOR
HBL4747RXIV	IVORY
HBL4747RXGY	GRAY

2 GANG OVERLAP COVERS

NOTE: ALL DIMENSIONS IN INCHES AND [MM]

LIST OF PARTS

DESCRIPTION	MATERIAL	FINISH
COVER PLATE	STEEL	PAINTED
MOUNTING BRACKET	STEEL	GALVANIZED

SYM	REVISIONS	APP	DATE
2	ADDED HBL4747BBRRIV/GY DCN 13779	SRE	2/22/07
1	RELEASED PER DCN 13554	SRE	11/16/06

THE DESIGN AND DIMENSIONS OF THE PRODUCT SHOWN ON THIS DRAWING ARE SUBJECT TO CHANGE WITHOUT NOTICE

TITLE 2 & 4 GANG COVER PLATE HBL4750 SERIES

TOLERANCES UNLESS OTHERWISE SPECIFIED	WIRING DEVICE-KELLEMS HUBBELL INCORPORATED BRIDGEPORT, CT	
FRACTIONS ± 1/64	DR. BY SRE	APP. BY SRE
DECIMALS ± .005	TR. BY	SCALE 1:1
ANGLES ± 2°	CHK'D BY SRE	DATE 11/16/06

DIMENSION SHEET FOR CAT. NO. SEE TABLE REPAIRABLE NON-REPAIRABLE B M-10411 2