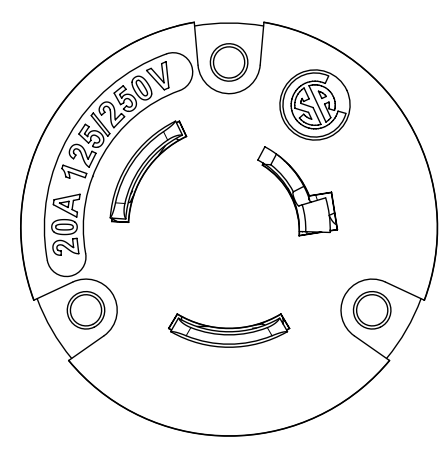
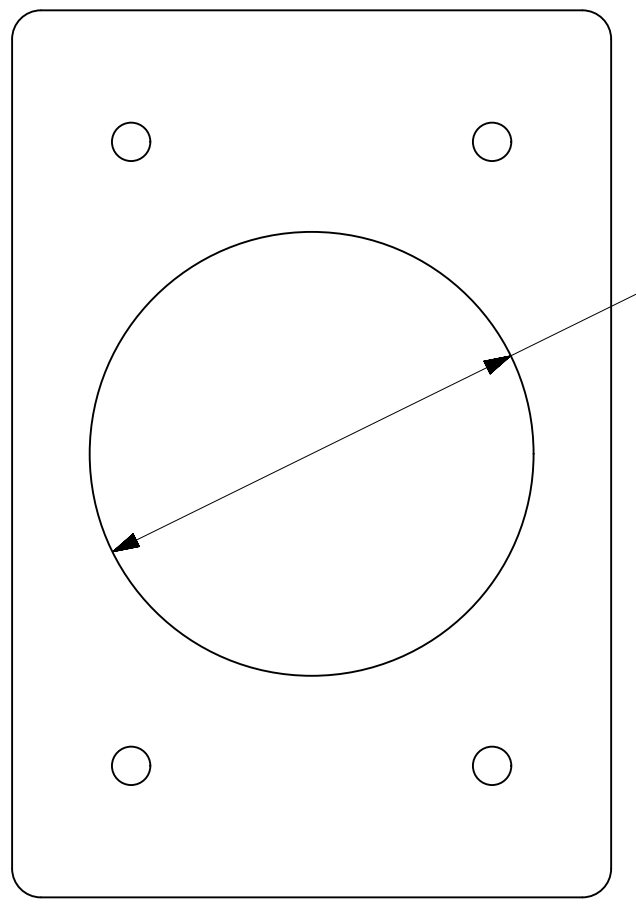
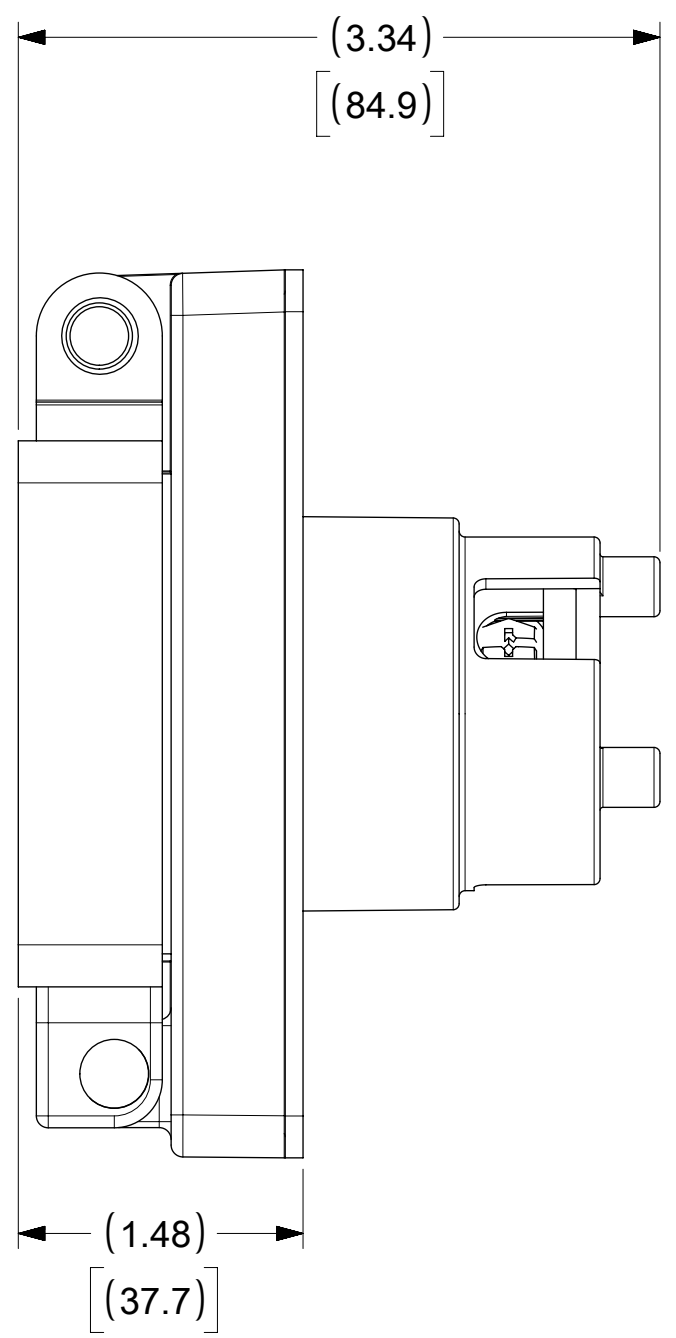
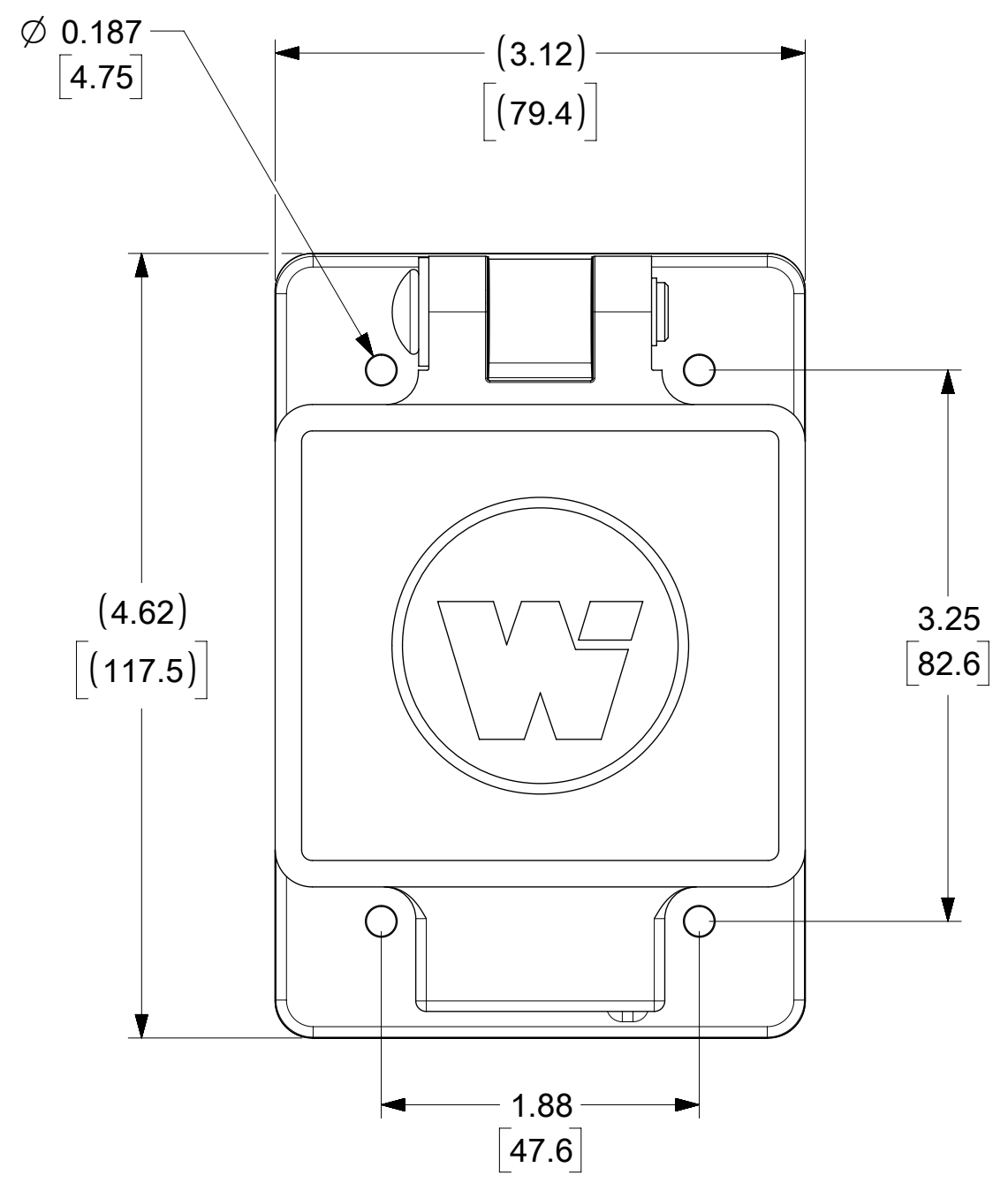
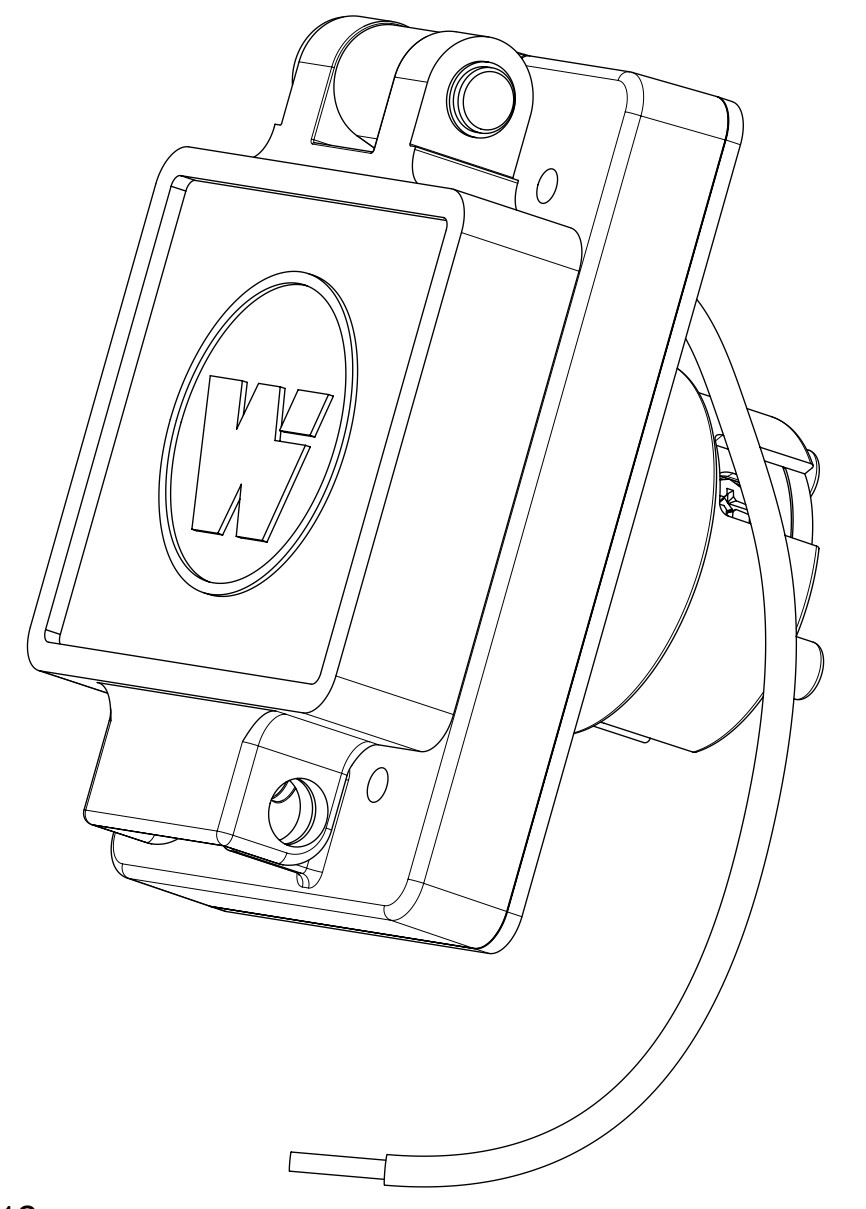


ORDER NO.	WOODHEAD NO.	COLOR
130147-0124	66W08	YELLOW



FACE VIEW



CLEARANCE HOLE (FOR PANEL MOUNT)

DESCRIPTION	MATERIAL	QTY.
BLADES	BRASS, NICKEL PLATED	3
RETAINING SCREWS	STAINLESS STEEL	3
CLAMP AND TERMINAL SCREW ASSY.	BRASS, ZINC PLATED	3
MALE INSERT	NYLON	1
TERMINAL COVER	POLYCARBONATE	1
COVER ASSEMBLY	POLYCARBONATE, STAINLESS STEEL, ALUMINUM	1
GASKET FLIP	NEOPRENE	1
MOTOR BASE MTG ASSY	POLYCARBONATE, STAINLESS STEEL, BRASS	1
SCREW (GROUND WIRE)	STAINLESS STEEL	1
JUMPER WIRE ASSY	COPPER, BRASS (TINNED FINISH)	1

THIS DRAWING CONTAINS INFORMATION THAT IS PROPRIETARY TO MOLEX ELECTRONIC TECHNOLOGIES, LLC AND SHOULD NOT BE USED WITHOUT WRITTEN PERMISSION										
SYMBOLS		DIMENSION UNITS		SCALE		CURRENT REV DESC: MIGRATE TO ECTR/NX				
▽ = 0	INCH	MM	NTS			<b>molex</b> WATERTITE MOTOR BASE COVERPLATE 3P3W NON-NEMA				
▽ = 0	GENERAL TOLERANCES (UNLESS SPECIFIED)									
▽ = 0	4 PLACES ±	MM	INCH			EC NO: 613675 DRWN: SRPATIL 2018/12/20 CHK'D: DNGUYEN62 2019/03/15 APPR: HKNEELAND 2019/03/22				
▽ = 0	3 PLACES ±					INITIAL REVISION: DRWN: SRPATIL 2018/12/20 APPR: HKNEELAND 2019/03/22				
▽ = 0	2 PLACES ±					DOCUMENT NUMBER <b>1301470124</b>		DOC TYPE <b>PSD</b>	DOC PART <b>000</b>	REVISION <b>A</b>
▽ = 0	1 PLACE ±					MATERIAL NUMBER SEE TABLE		CUSTOMER GENERAL MARKET		SHEET NUMBER 1 OF 1
▽ = 0	0 PLACES ±					DRAFT WHERE APPLICABLE MUST REMAIN WITHIN DIMENSIONS		THIRD ANGLE PROJECTION		DRAWING SERIES <b>C-SIZE 130147</b>