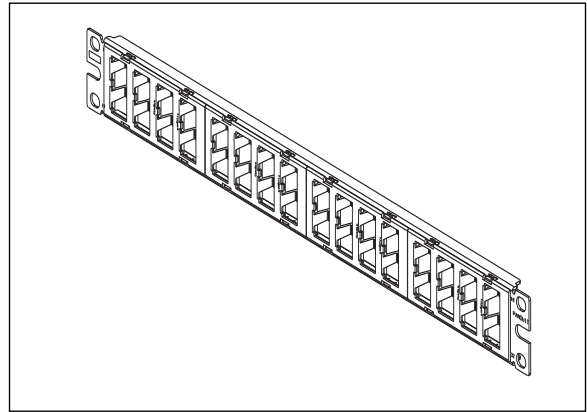
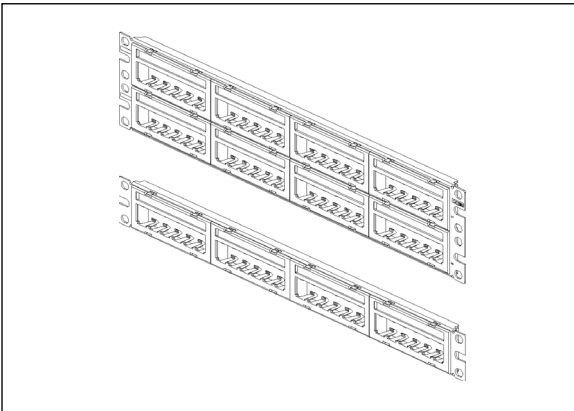


24 and 48-port furniture faceplate patch panels



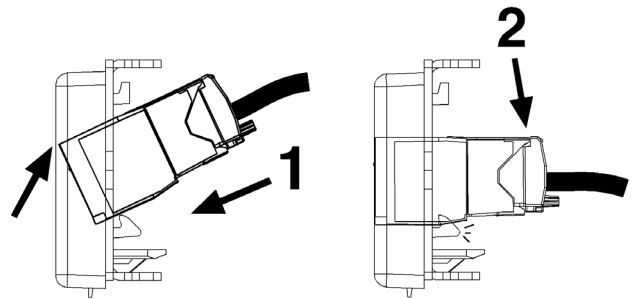
32-port faceplate patch panel

(The Installation and Removal process for the CPP32WBLY is the same as illustrated below except the jack sits rotated 90° in the faceplate)

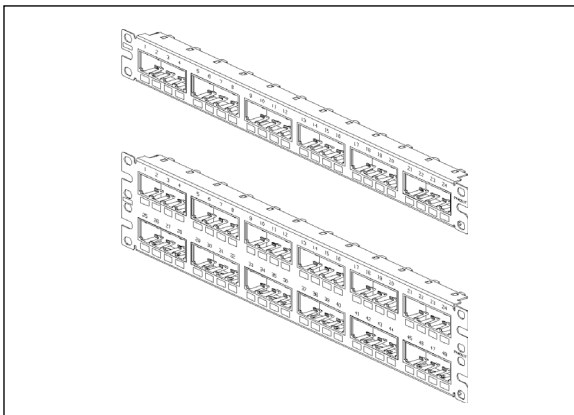
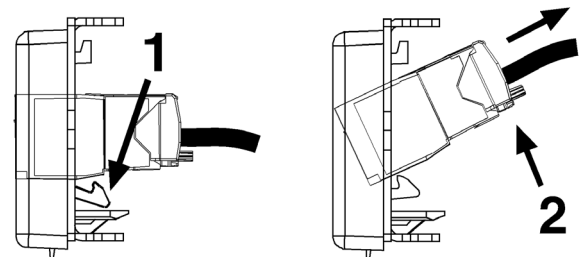


24 and 48-port faceplate patch panels with modules in groups of six (M6)

1. INSTALLATION



2. REMOVAL



24 and 48-port flush mount faceplate patch panels

For Instructions in Local Languages and Technical Support:

www.panduit.com/resources/install_maintain.asp

PANDUIT

www.panduit.com

E-mail: techsupport@panduit.com

Phone: 866-405-6654