

BALDOR® • ***RELIANCE***

Product Information Packet

GP232005

G.M. R08DA 90V DC 3.7 RPM CAT# GP232005

Part Detail							
Revision:	AL	Status:	PRD/A	Change #:		Proprietary:	No
Type:	DC	Prod. Type:	2308P	Elec. Spec:	23WGZ006	CD Diagram:	CD1899
Enclosure:	TENV	Mfg Plant:		Mech. Spec:		Layout:	23A005Z006G2
Frame:		Mounting:		Poles:	00	Created Date:	
Base:		Rotation:	R	Insulation:	F	Eff. Date:	09-22-2017
Field Type:		Literature:		Elec. Diagram:		Replaced By:	

Specs			
Enclosure:	TENV		
Gearhead Type:	RIGHT ANGLE		
Gear Ratio:	660:1		
Gear Style:	DA		
Mounting Arrangement:	0.000		
Product Family:	General Purpose		

Nameplate NP1220A60	
CAT.NO.	GP232005
SER.NO.	
SPEC.	23A005Z006G2
FRAME	DA TYPE 2308P
HP	1/49 TE
VOLTS	90DC
AMP	.34
F.F.	1.40 CLASS F
AMB.	40 DUTY CONT
BRUSHES	2/BP5060DA02
R.P.M.	3.7
TORQ/IN LB	75
RATIO	660:1
APRV-CE	<input type="checkbox"/>
	APRV-CUL <input type="checkbox"/>

I.P.

DC Motor Performance Data

Record # 1226 - Typical performance - not guaranteed values

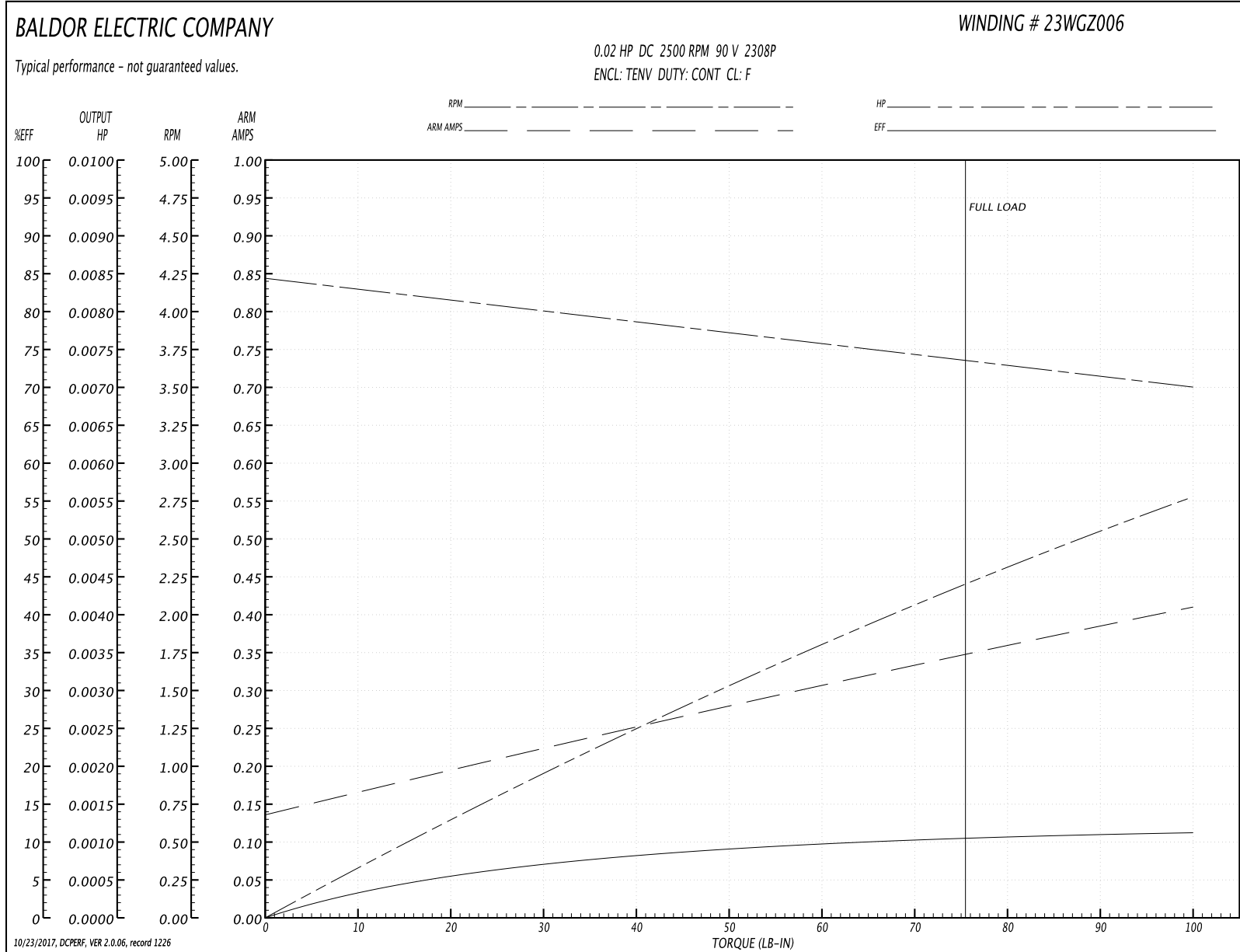
Winding: 23WGZ006-R001 Gear Type: RIGHTANGLE	Type: 2308P Gear Style: DA	Enclosure: TENV Gear Ratio: 660:1
---	---	--

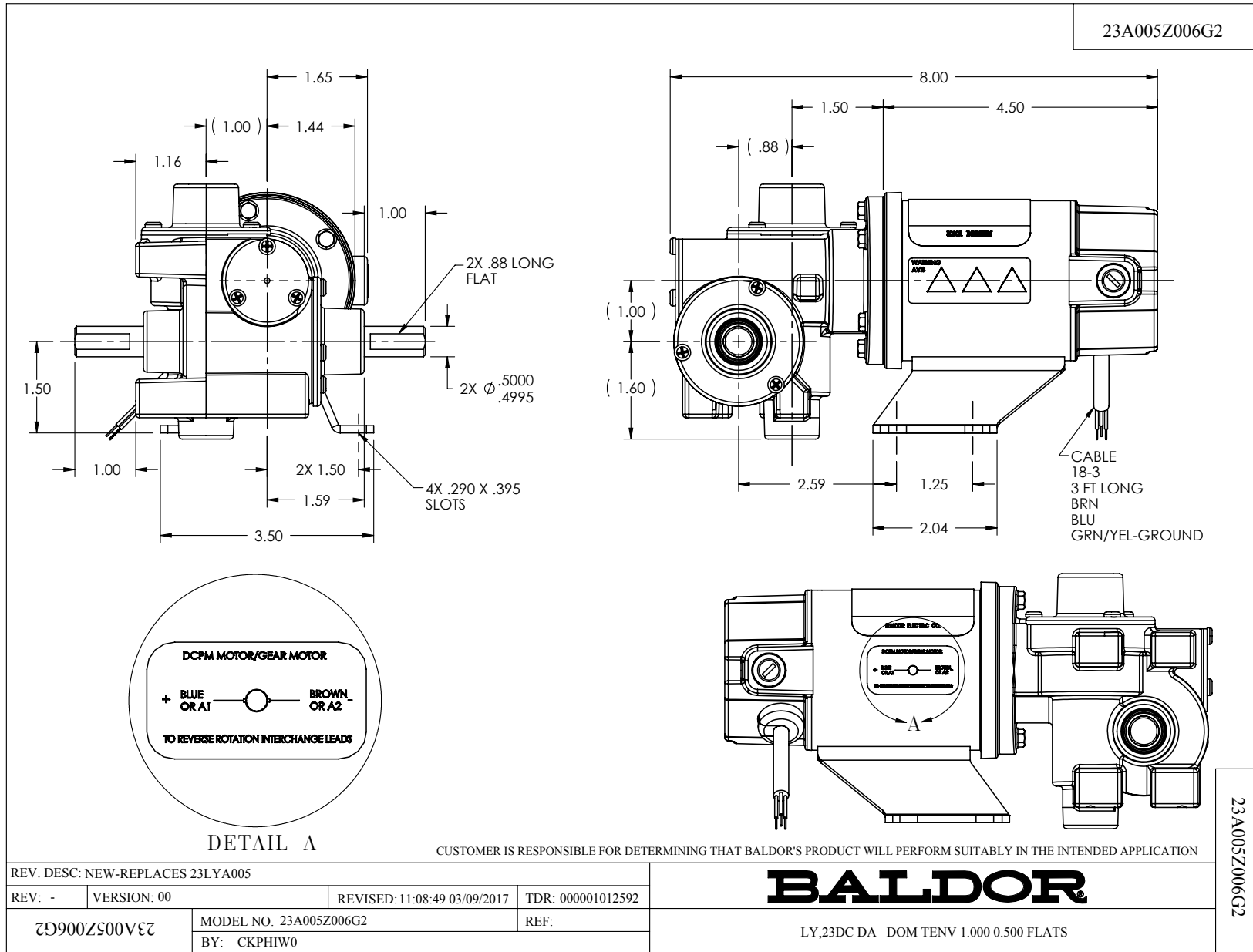
Nameplate Data		General Characteristics	
Rated Output (HP)	0.02	Armature Resistance @ 25°C	47.852 Ω
R.P.M.	2500		
Armature Volts	90		
Armature Amps	0.24		
Field Volts			
Field Amps			
Rating - Duty	40C AMB-CONT		
Form Factor	1.4		

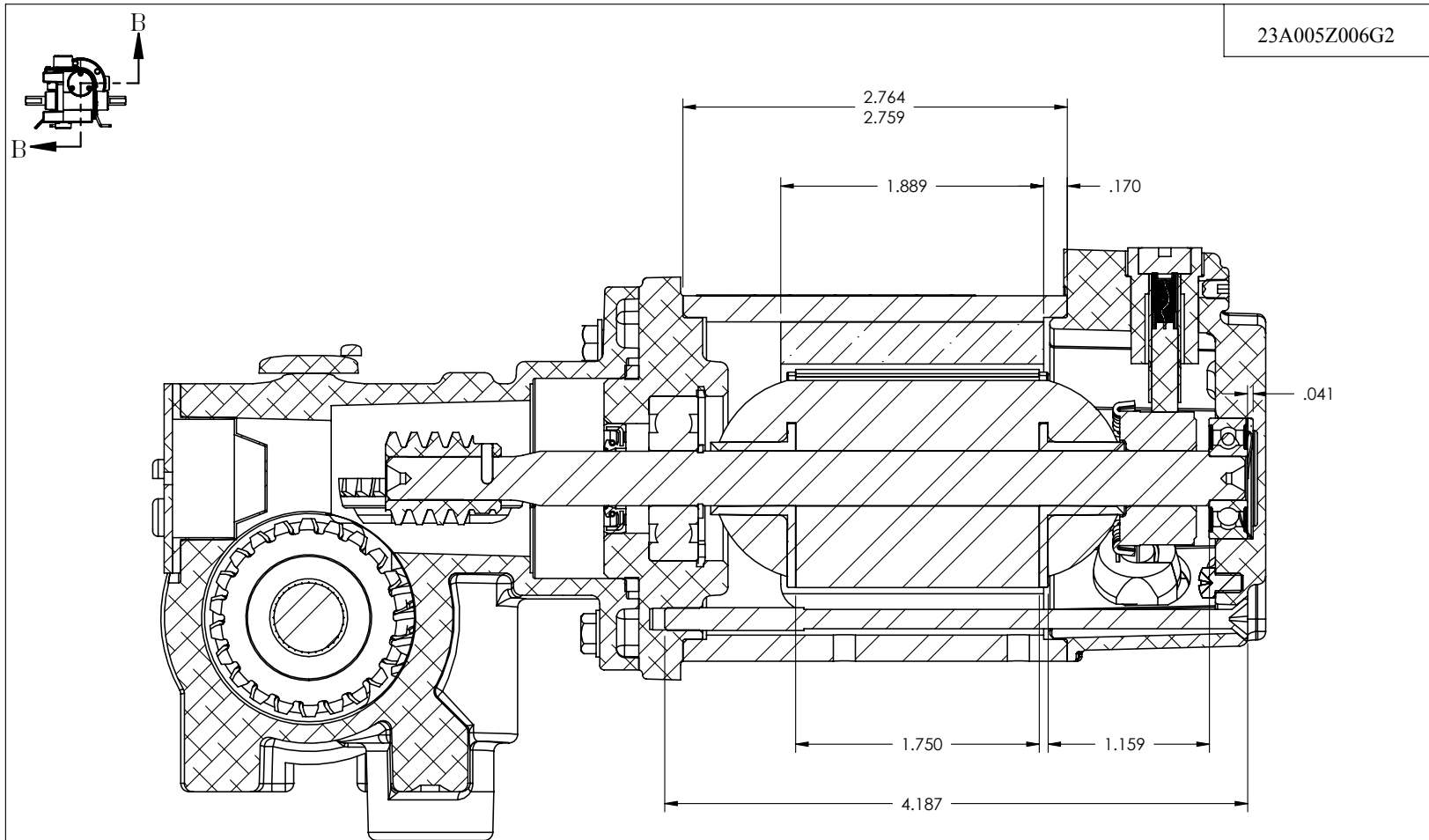
Load Characteristics at 90 Armature Volts

Load Point	1	2	3	4	5	6	7
Armature Amps	0.13	0.2	0.25	0.29	0.34	0.4	0.41
R.P.M.	4.4	3.9	3.9	3.8	3.7	3.6	3.5
Torque (LB-IN)	0	18.75	37.5	56.25	75	93.75	100

Performance Graph at 90.0 Arm V, 0.02HP Typical performance - Not guaranteed values







23A005Z006G2

SECTION B-B

CUSTOMER IS RESPONSIBLE FOR DETERMINING THAT BALDOR'S PRODUCT WILL PERFORM SUITABLY IN THE INTENDED APPLICATION

REV. DESC: NEW-REPLACES 23LYA005			
REV: -	VERSION: 00	REVISED: 11:08:49 03/09/2017	TDR: 000001012592
23A005Z006G2		MODEL NO. 23A005Z006G2	REF:
		BY: CKPHIW0	

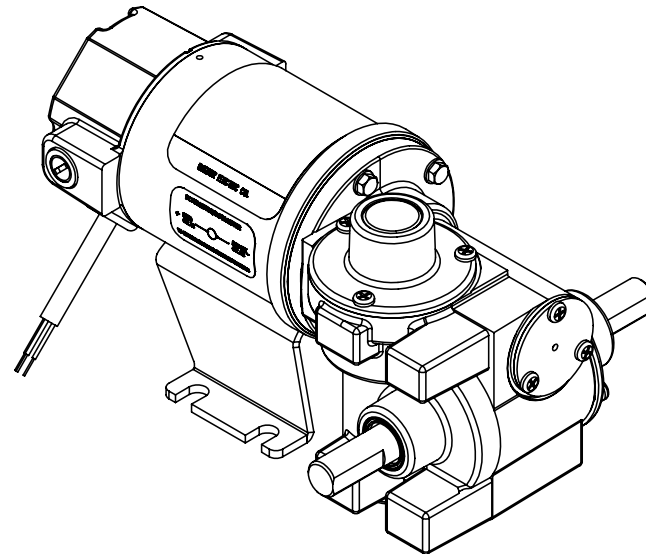
BALDOR

LY,23DC DA DOM TENV 1.000 0.500 FLATS

23A005Z006G2

ITEM NO.	PART NUMBER	QTY.	ITEM NO.	PART NUMBER	QTY.
1	23EP3101A02	1	33	WM0078A05	1
2	BG6200C03	1	34	BH1108A04	6
3	HW5002A45	1	35	BH1166A01	2
4	HW4600G58	1	36	BGE4343	1
5	23SH0446B01	1	37	BCG1123-005	2
6	HW5060A23	1	38	RM1020A51	2
7	23AA2014	1	39	HW1034A02	1
8	BG6608C03	1	40	HA4032A01	1
9	WM0053A04	1	41	BSG2743	1
10	HW3082B05	1	42	BGE4609	1
11	23SB3000B19	1	43	HW5060A27	1
12	PM1036A02	2	44	NP1220A62	1
13	HW3022A04	1	45	LC0899A06	1
14	23BA4001	1	46	LB1451	1
15	96XN1032A05	2			
16	23EP3108A01	1			
17	HW5109A06	1			
18	55XT0632G03	2			
19	BP4517	2			
20	80XN0632J03	2			
21	BP5060-02	2			
22	BP4515	2			
23	WD4102A01	1			
24	LD0110A29	1			
25	HA3170A09	2			
26	HG0058A02	1			
27	19XN1032A09	4			
28	RM1057	1			
29	BH1104	4			
30	HW4600C29	2			
31	HA1194B02	1			
32	15XM0632A06	9			

23A005Z006G2



CUSTOMER IS RESPONSIBLE FOR DETERMINING THAT BALDOR'S PRODUCT WILL PERFORM SUITABLY IN THE INTENDED APPLICATION

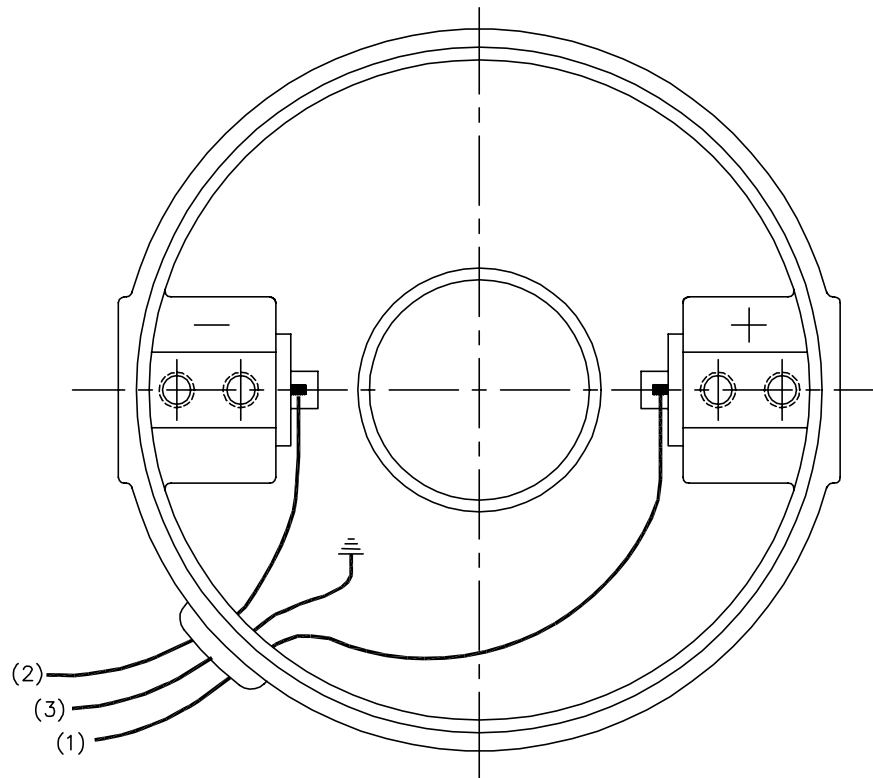
REV. DESC: NEW-REPLACES 23LYA005			
REV: -	VERSION: 00	REVISED: 11:08:49 03/09/2017	TDR: 000001012592
23A005Z006G2		MODEL NO. 23A005Z006G2	REF:
		BY: CKPHIW0	

BALDOR

LY,23DC DA DOM TENV 1.000 0.500 FLATS

23A005Z006G2

CD1899



(1) COLOR MAY BE
RED
WHT
BLU

(2) COLOR MAY BE
BLK
BRN

(3) COLOR WHEN REQ.
GRN
GRN/YEL

VIEWED FROM
DRIVE END

REV. DESC: NEW			
REV. LTR: -	BY: PAW	REVISED: 09:06:34 09/16/2004	TDR: 341564
668100		FILE: CKA00025830	REF: CD1899
		MTL: -	

BALDOR ELECTRIC Co.

PM,2LD,REV,TANG,CK

CD1899