

# **BALDOR**® • **RELIANCE**

## **Product Information Packet**

# **GPP7450**

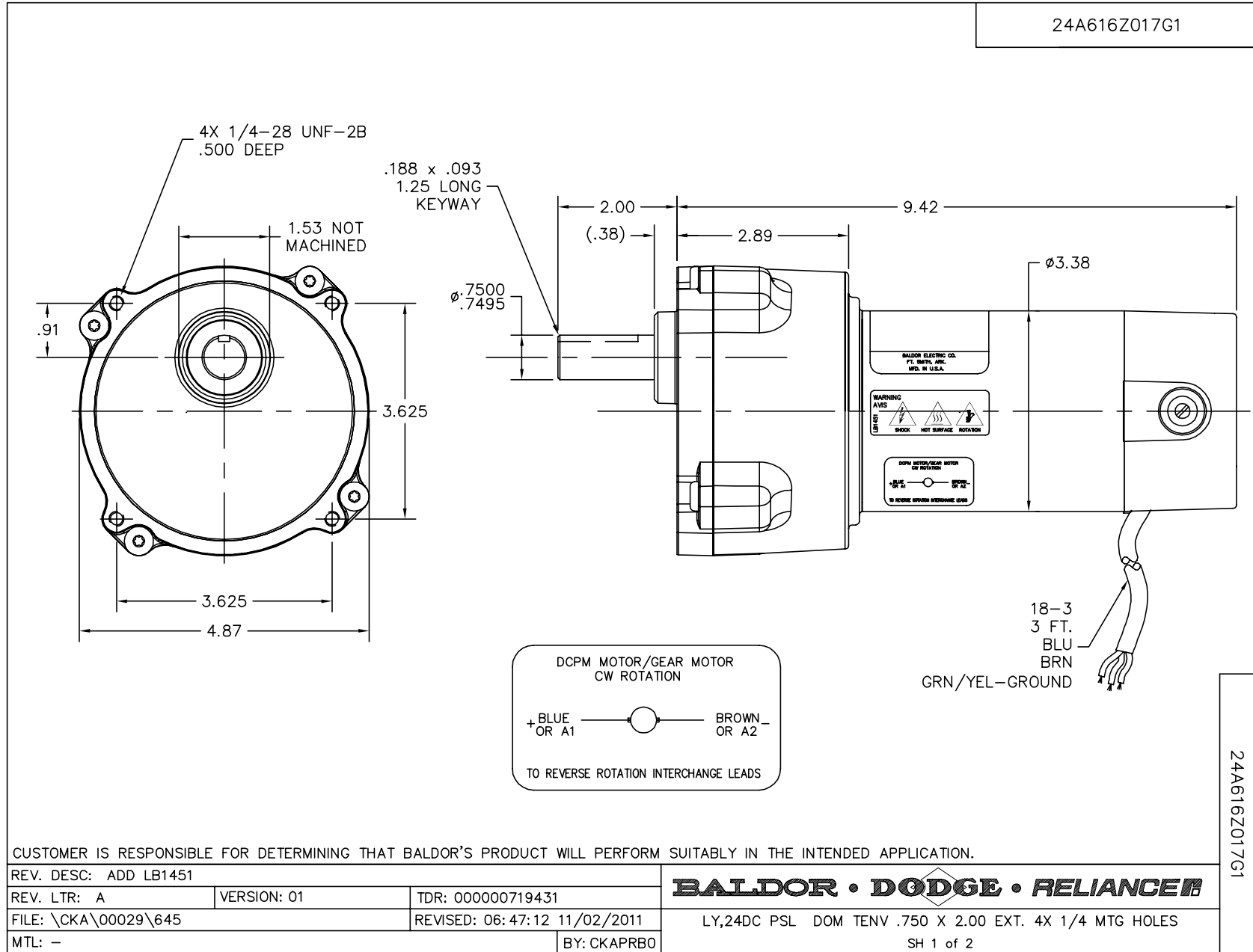
**G.M. D24KA 90VDC 5:1 500 RPM GPP7450**

Part Detail							
Revision:	R	Status:	PRD/A	Change #:		Proprietary:	No
Type:	DC	Prod. Type:	2424P	Elec. Spec:	24WGZ017	CD Diagram:	CD1899
Enclosure:	TENV	Mfg Plant:		Mech. Spec:		Layout:	24A616Z017G1
Frame:		Mounting:		Poles:	00	Created Date:	03-17-2006
Base:		Rotation:	R	Insulation:	F	Eff. Date:	05-06-2016
Field Type:		Literature:		Elec. Diagram:		Replaced By:	

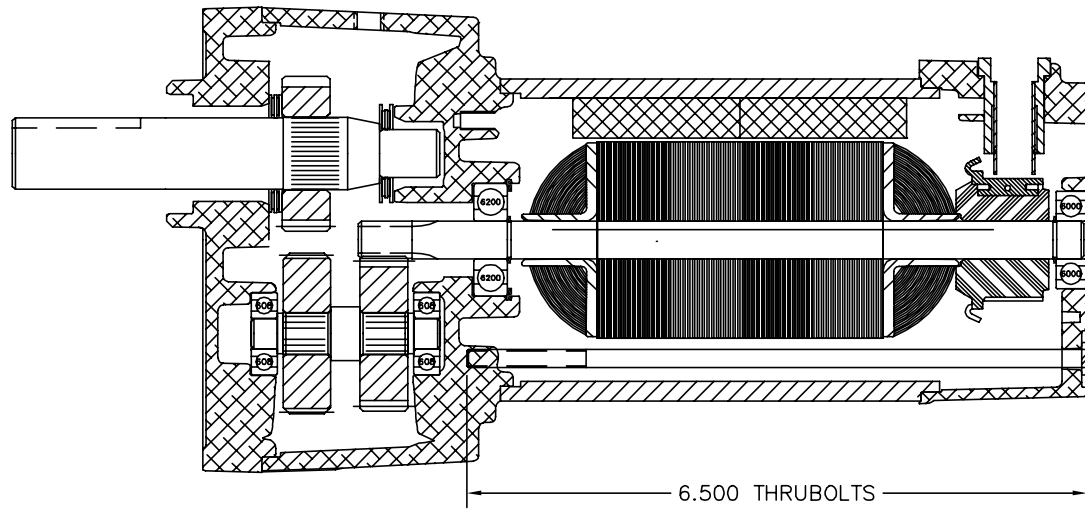
Specs			
Enclosure:	TENV		
Gearhead Type:	PARALLEL SHAFT		
Gear Ratio:	5:1		
Gear Style:	PSL		
Mounting Arrangement:	0.000		
Product Family:	General Purpose		

## Nameplate NP1220A08

CAT.NO.	GPP7450		
SER.NO.			
SPEC.	24A616Z017G1		
FRAME	PSL	TYPE	2424P
HP	.25	TE	
VOLTS	90		
AMP	2.5		
F.F.	1.3	CLASS	F
AMB.	40	DUTY	CONT
BRUSHES	2/BP5052BP01		
R.P.M.	500		
TORQ/IN LB	25		
RATIO	5:1		
APRV-CE		APRV-CUL	



24A616Z017G1



24A616Z017G1

CUSTOMER IS RESPONSIBLE FOR DETERMINING THAT BALDOR'S PRODUCT WILL PERFORM SUITABLY IN THE INTENDED APPLICATION.

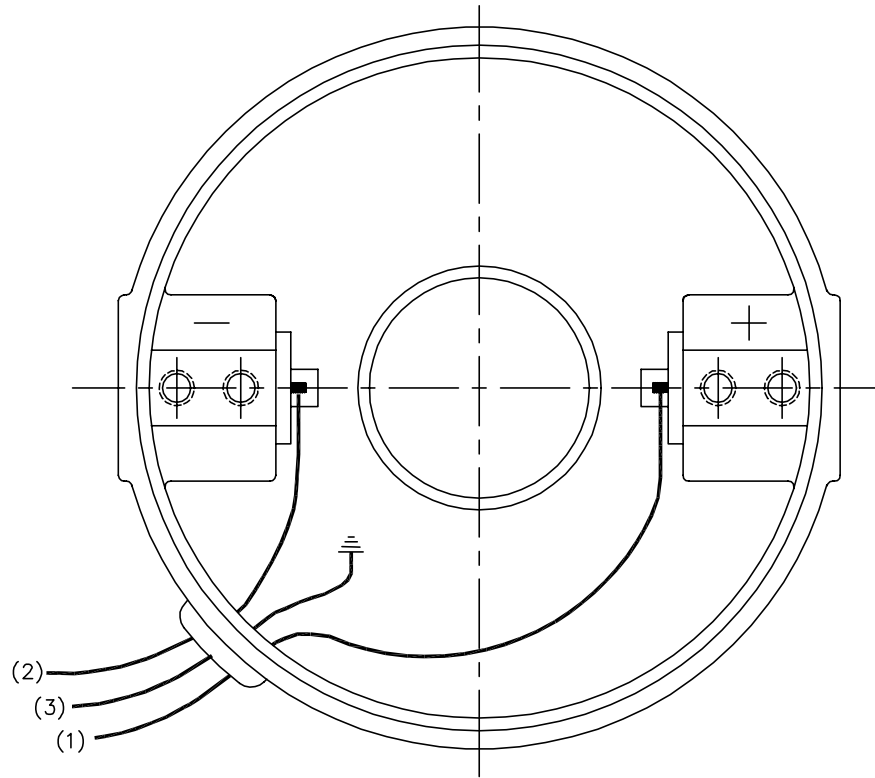
REV. DESC: ADD LB1451		
REV. LTR: A	VERSION: 01	TDR: 000000719431
FILE: \CKA\00029\645		REVISED: 06: 47: 12 11/02/2011
MTL: -		BY: CKAPRBO

**BALDOR • DODGE • RELIANCE**

LY,24DC PSL DOM TENV .750 X 2.00 EXT. 4X 1/4 MTG HOLES

SH 2 of 2

CD1899



(1) COLOR MAY BE  
RED  
WHT  
BLU

(2) COLOR MAY BE  
BLK  
BRN

(3) COLOR WHEN REQ.  
GRN  
GRN/YEL

VIEWED FROM  
DRIVE END

REV. DESC: NEW			
REV. LTR: -	BY: PAW	REVISED: 09:06:34 09/16/2004	TDR: 341564
668100		FILE: CKA00025830	REF: CD1899
		MTL: -	

**BALDOR ELECTRIC Co.**

PM,2LD,REV,TANG,CK

CD1899