

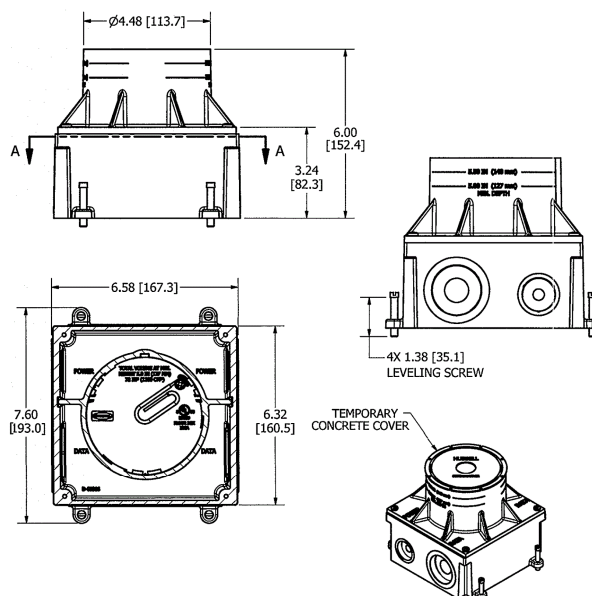
Features

- Accommodates connectorized cables
- Offset design allows for easy conduit installation
- Supplied with mounting screws



Ordering Information

Description	Material	UPC Number	Catalog Number
2" NPT Conduit Hub	Aluminum	783585447933	CFBHUB2



Specifications

Hub	Aluminum
Mounting Screws	Zinc Plated

Online Resources

Customer Use Drawing
 eCatalog
 Installation Instructions