



Optanium T8 Instant Start

OPTANIUM IOP2P32HNL35M

Reliable and energy efficient Philips Advance's Centium commercial grade specifications, plus added benefits of lamp striation reduction technology.

Product data

| General Information | |
|-------------------------------|------------------------|
| Lamp Type | F32T8 |
| Number of Lamps | 1/2 piece/unit |
| Ballast Type | Electronic Fluorescent |
| Base Model | IOP1PSP32N |
| Suitable For Outdoor Use | Yes |
| Automatic Restart | Yes |
| Operating and Electrical | |
| Input Voltage | 120 to 277 V |
| Input Frequency | 50 to 60 Hz |
| Total Harmonic Distortion USA | 10 % |
| Ignition Method | Instant Start |
| Crestfactor (Nom) | 1.6 |
| Ignition Time (Nom) | 0.1 s |
| Ballast Factor (Nom) | 0.89 |
| Power Factor (Nom) | 0.98 |
| Input Current (Max) | 0.27 A |
| Input Current (Min) | 0.61 A |
| Input Power (Nom) | 28 W |
| Rated Lamp Power | 32 W |

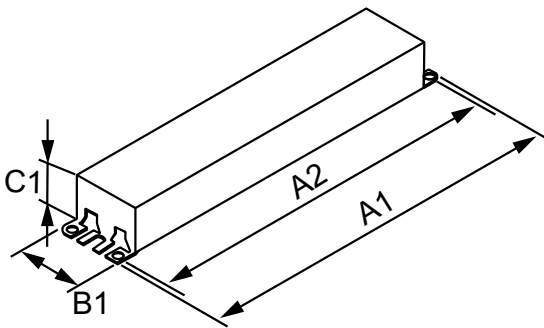
| Wiring | |
|--|--------------------------|
| Color Input Terminals | No terminals |
| Color Output Terminals | No terminals |
| Wire Striplength | 0.50/0.375 mm |
| Lamp Connection | Parallel |
| Wire Length by Color | See data sheet |
| Wire Gauge (Nom) | 18AWG mm |
| Wire Type | Solid |
| Remote Wiring Configuration Allowed | Yes |
| Tandem Wiring Configuration Allowed | Yes |
| Through Wiring Configuration Allowed | Yes |
| Max Ballast-Lamp Distance Remote Wiring | ES = 6' / Standard = 20' |
| Max Ballast-Lamp Distance Tandem Wiring | ES = 6' / Standard = 20' |
| Max Ballast-Lamp Distance Through Wiring | ES = 6' / Standard = 20' |
| Connector Type | No connector |
| Temperature | |
| T-Case Maximum (Nom) | 70 °C |
| Mechanical and Housing | |
| Housing Material | Metal |
| Housing | N |

Optanium T8 Instant Start

| | |
|---------------------------------|---|
| Housing Dimensions | 9.5" x 1.3" x 1.0" |
| Approval and Application | |
| EMC Immunity Standard | FCC Non-Consumer |
| Approval Marks | CSA certificate UL certificate CEC Listing CEE Rated NEMA Premium RoHS Compliant |
| Hum And Noise Level | A |
| UL Recognized | No |
| Product Data | |
| Order product name | OPTANIUM IOP2P32HLN35M |

| | |
|---------------------------------|--------------|
| EAN/UPC - Product | 781087133170 |
| Order code | 913701255002 |
| Numerator - Quantity Per Pack | 1 |
| Numerator - Packs per outer box | 30 |
| Material Nr. (12NC) | 913701255002 |
| Net Weight (Piece) | 350.000 g |

Dimensional drawing



| Product | A1 | A2 | B1 | C1 |
|------------------------|---------|---------|---------|---------|
| OPTANIUM IOP2P32HLN35M | 9.50 in | 8.90 in | 1.30 in | 1.00 in |

ELE BALLAST (2) F32T8 120-277V

