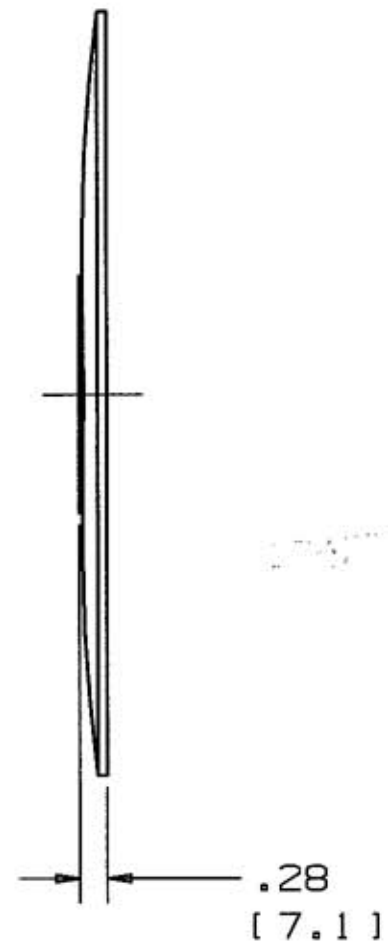
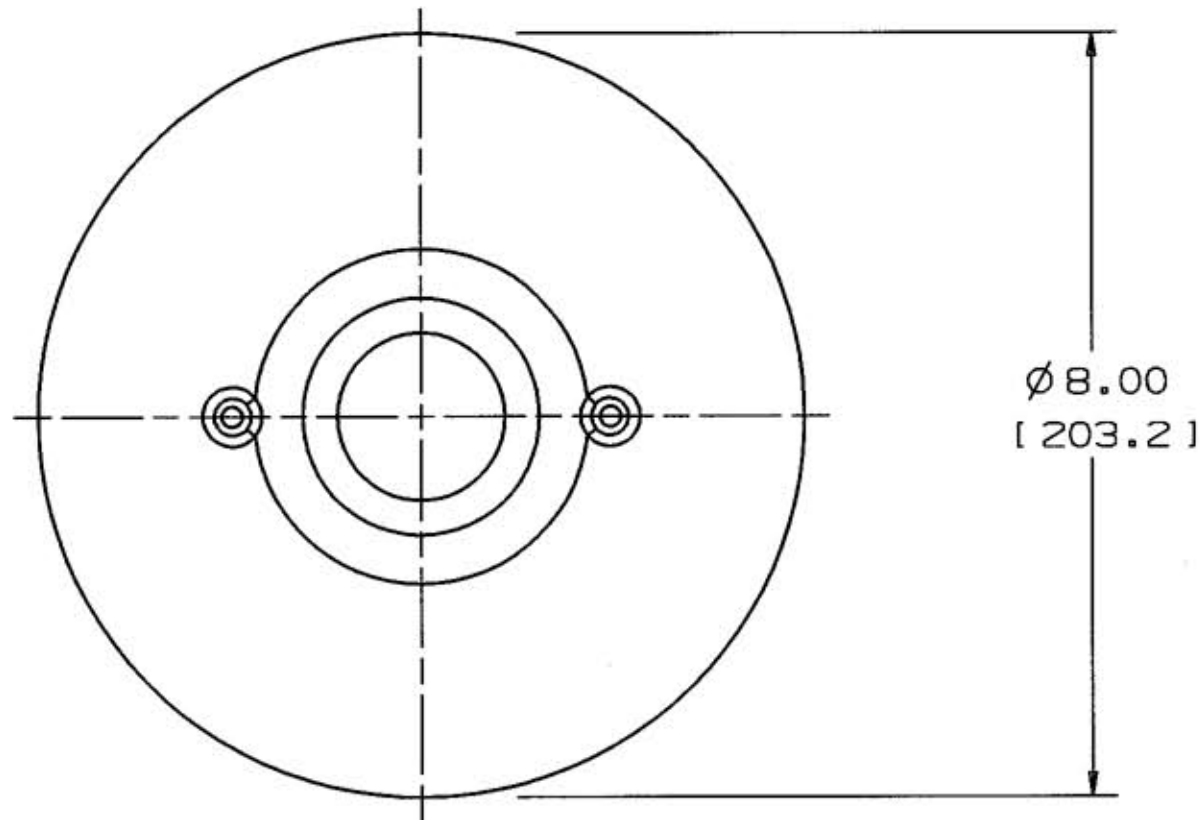


M-9068 | 1



NOTE:  
 1. DIM'S. INCHES [MM].  
 2. PRODUCT MUST MEET UL & CSA CONSTRUCTION, PERFORMANCE, & MARKING REQUIREMENTS.

LIST OF PARTS

DESCRIPTION	MATERIAL	FINISH
CARPET FLANGE	ALUMINUM	BLACK
SCREW, #8 FL. HD.	STEEL	BLACK

DIMENSION SHEET FOR CAT. NO.

FF2BK

REPAIRABLE  NON-REPAIRABLE

**B**

M-9068

**1**


1	INITIAL RELEASE DCN. 10786	Jvd	4-10-03
SYM	REVISIONS	APP	DATE

THE DESIGN AND DIMENSIONS OF THE PRODUCT SHOWN ON THIS DRAWING ARE SUBJECT TO CHANGE WITHOUT NOTICE

TITLE CUSTOMER DRAWING  
 LG. CAP. FURN. FD. FL. SVCE.  
 CAT. NO. FF2BK

TOLERANCES UNLESS OTHERWISE SPECIFIED	WIRING DEVICE-KELLEMS HUBBELL INCORPORATED BRIDGEPORT, CT		
FRACTIONS ±1/64	DR. BY PAC	APP. BY Jvd	
DECIMALS ±.005	TR. BY	SCALE 1:2	
ANGLES ±2°	CHK'D BY	DATE 4-8-03	