

19-IN. RACK CABINET, TYPE 1



INDUSTRY STANDARDS

NEMA Type 1
EIA 310-D / IEC 297-1
IEC 60529, IP40

APPLICATION

The multi-purpose, modular Rack Cabinet is especially suited for 19-in. computer system applications where aesthetics and modularity are important. Multiple rack mounting heights, door options and accessories make this cabinet highly adaptable.

FEATURES

- Mounting surfaces on front and rear of frame are recessed 60 mm (2.36 in.) to allow for both equipment mounting and use of all door options
- Bottom of frame can be left open or closed with covers. Frames provided with die-cast support feet.
- Frame accommodates optional doors, front and rear, in any combination
- Optional joining kits bolt frames together for modular applications
- 9-mm square holes in uprights accommodate cage nuts for mounting all types of 19-in. rack equipment and accessories. Front and rear hole spacing comply with EIA 310-D / IEC 297-1 wide spacing for 19-in. mounting.
- Side mounting holes are spaced vertically at wide spacing (same as front/rear) to accommodate accessories

SPECIFICATIONS

- Rugged die-cast aluminum top and bottom frame connected to four extruded aluminum uprights. Each upright includes two integral mounting flanges.
- Two steel side covers 1-mm thick. Side covers are removable via quarter-turn fasteners for easy access. Ground studs and foam gasket strips are provided.
- Louvered top (1-mm thick) mounts flush on frame. Ground stud provided.

FINISH

Frame and flush-louvered top are painted with a durable stone-gray textured finish (RAL 7030). Side covers are textured light gray (RAL 7035).

ACCESSORIES

See also Accessories.
Rack Cabinet Casters and Adjustable Feet
Electric Heater
Compact Cooling Fans
Rack Cabinet Joining Kit
Rack Panels

BULLETIN: DEC1

Standard Product

Catalog Number	AxBxC mm/in.	E mm/in.	F mm/in.	H mm/in.	W mm/in.
EER34U6060	1611 x 600 x 600	1511	85	1536	523
	63.41 x 23.62 x 23.61	59.50	3.35	60.46	20.59
EER34U6080	1611 x 600 x 800	1511	185	1536	723
	63.41 x 23.62 x 31.49	59.50	7.28	60.46	28.46
EER38U6060	1789 x 600 x 600	1689	85	1713	523
	70.41 x 23.62 x 23.61	66.50	3.35	67.46	20.59
EER38U6080	1789 x 600 x 800	1689	185	1713	723
	70.41 x 23.62 x 31.49	66.50	7.28	67.46	28.46
EER43U6060	2011 x 600 x 600	1911	85	1936	523
	79.15 x 23.62 x 23.61	75.25	3.35	76.21	20.59
EER43U6080	2011 x 600 x 800	1911	185	1936	723
	79.15 x 23.62 x 31.49	75.25	7.28	76.21	28.46

Add 9 mm (0.35 in.) for standard feet.

Add 32 mm (1.26 in.) for raised solid top.

Add 98 mm (3.84 in.) for plinth bases.

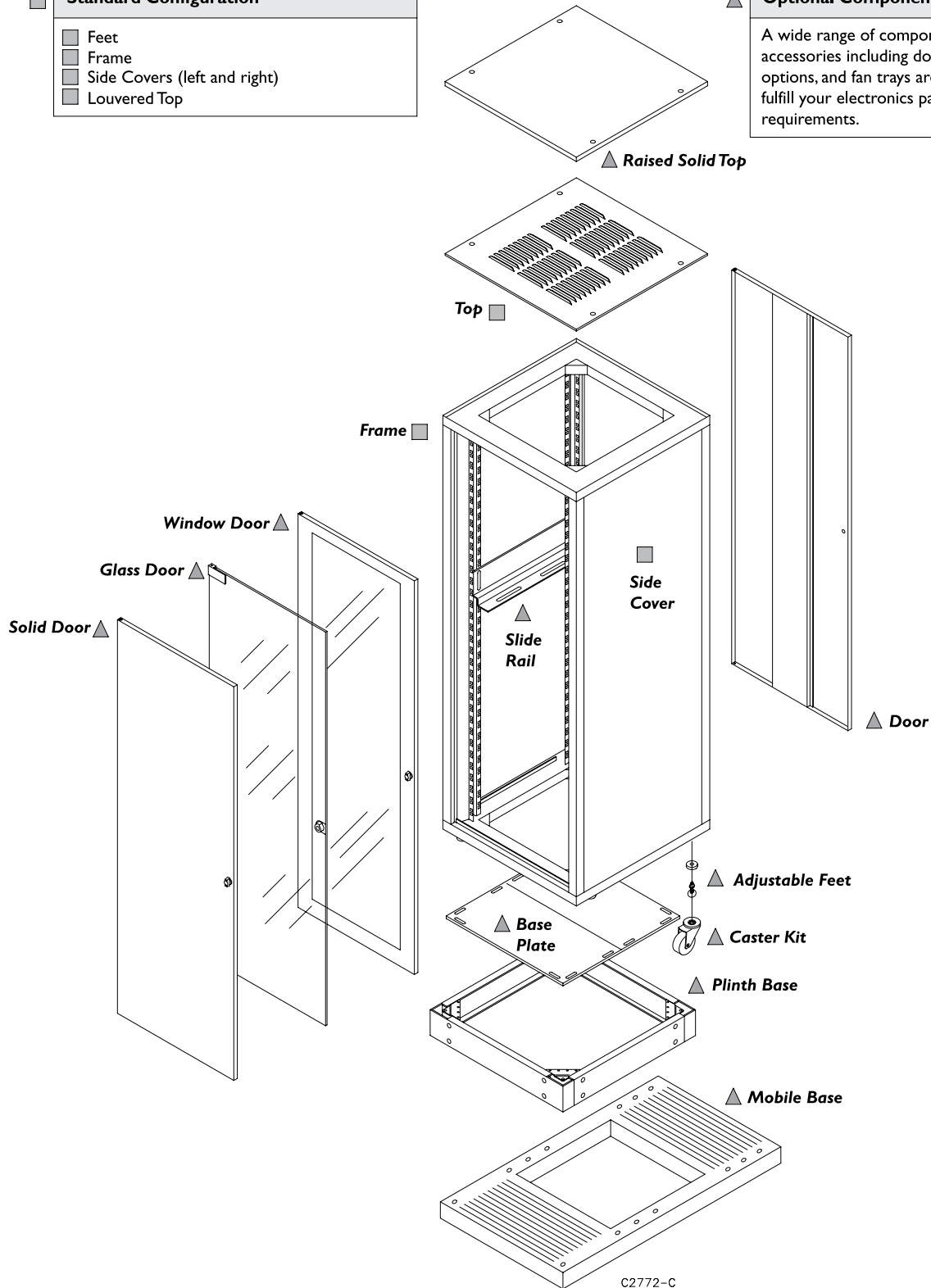
Add 117 mm (4.61 in.) for mobile base with casters.

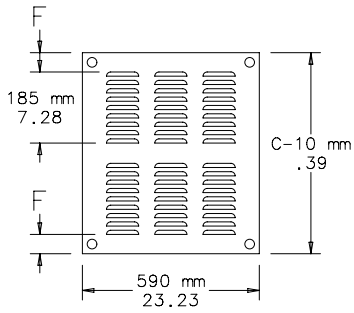
Add 110 mm (4.33 in.) for casters mounted on frame.

Add 17 mm to 35 mm (0.67 in. to 1.38 in.) for adjustable feet.

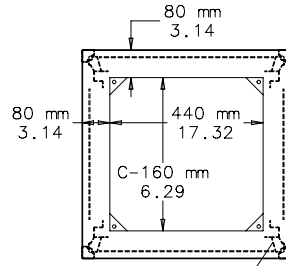
- Standard Configuration**
- Feet
 - Frame
 - Side Covers (left and right)
 - Louvered Top

- Optional Components**
- A wide range of components and accessories including doors, base options, and fan trays are available to fulfill your electronics packaging requirements.

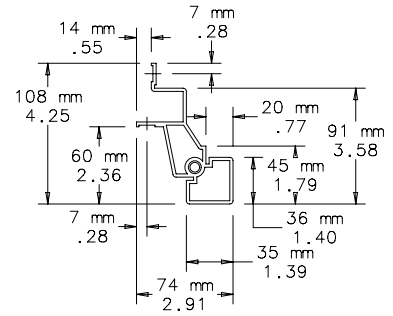




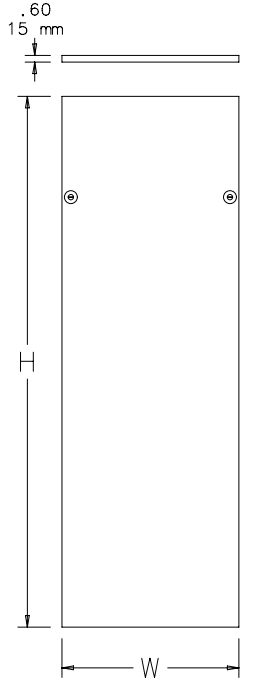
VENTED TOP



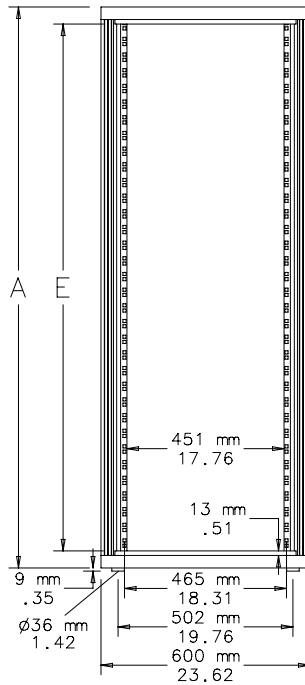
SEE DETAIL



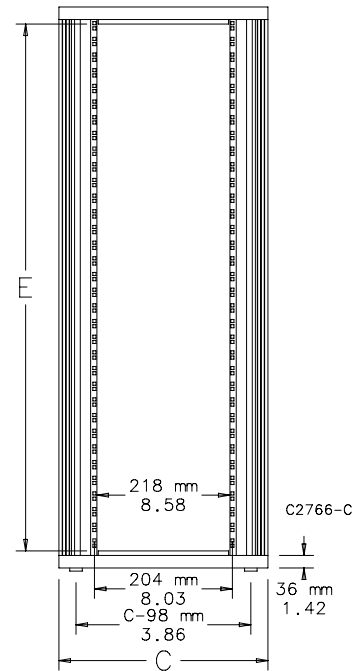
UPRIGHT DETAIL



SIDE PANEL



FRAME

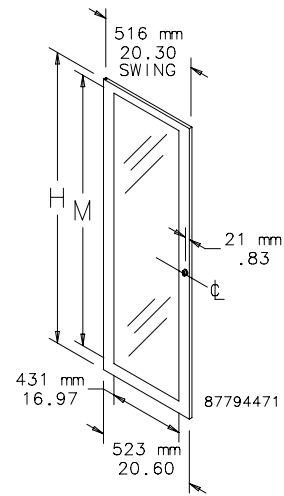


RACK CABINET WINDOW DOOR

Fits in the 60-mm (2.36-in.) front or rear recessed door openings in the cabinet frame. The field replaceable 2-mm thick tinted acrylic window is attached with spring clips and sealed with foam tape. The extruded aluminum door frame, finished with RAL 7035 light gray textured polyester powder paint, mounts flush and provides 54 mm (2.13 in.) of space from the inside of the window to the rack mounting surface. Upper and lower hinge pins on the door fit into holes in the frame. Door can be hinged right or left. Black keylock latch with chrome lock insert and two keys is furnished. Frame has provision to attach a ground cable. Strips of foam gasket and all mounting hardware are provided.

BULLETIN: DEC1

Catalog Number	H mm/in.	M mm/in.	Fits Cabinet
EERPD34U	1533 60.35	1475 58.07	34U x 600
EERPD38U	1711 67.35	1653 65.08	38U x 600
EERPD43U	1933 76.10	1875 73.82	43U x 600

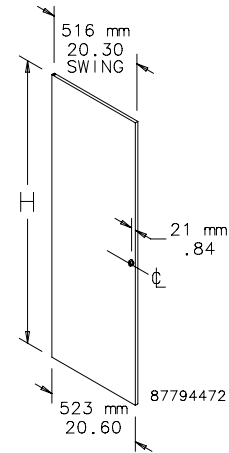


RACK CABINET SOLID DOOR

Fits into the 60-mm (2.36-in.) front or rear recessed door openings in frame. The flush door provides 59 mm (2.32 in.) from inside of door to rack mounting surface. Door is 1-mm thick steel finished with RAL 7035 light-gray textured polyester powder paint. Upper and lower hinge pins fit into holes provided in the cabinet frame. Doors can be hinged right or left. Black keylocking latch with chrome lock insert and two keys is furnished. Ground stud provided. Strips of foam gasket and all mounting hardware are included.

BULLETIN: DEC1

Catalog Number	H mm/in.	Fits Cabinet
EERSD34U	1533 60.35	34U x 600
EERSD38U	1711 67.35	38U x 600
EERSD43U	1933 76.10	43U x 600

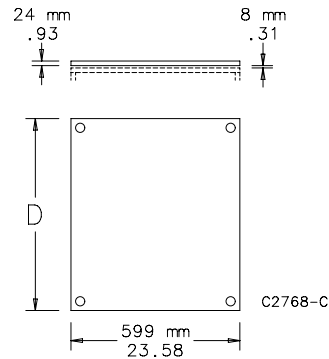


RACK CABINET RAISED SOLID TOP

Replaces flush top to provide an 8-mm (0.32-in.) ventilation opening around frame top perimeter. The raised top, mounted on steel spacers, extends enclosure height 32 mm (1.26 in.). Top is 1.5-mm thick steel finished with RAL 7030 stone-gray polyester powder paint. A ground stud is provided. All mounting hardware is furnished.

BULLETIN: DEC1

Catalog Number	D mm/in.	Fits Cabinet
EERRTC6060	599 23.58	600 x 600
EERRTC6080	799 31.46	600 x 800



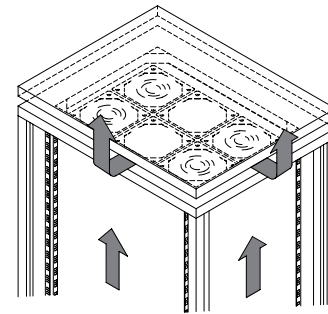
RACK CABINET TOP-MOUNT FAN TRAY

Use with raised solid top or flat vented top. Heated cabinet air is drawn up and blown out through the ventilation opening in the top. Each tray includes four 77 CFM axial fans pre-wired to a 115 V, 60 Hz, 137-mm (5.4-in.) power cord with a 5-15A plug. Fan tray mounts flush to inside top of cabinet without using any of the 19-in. rack mounting space.

BULLETIN: DEC1

Rack Cabinet Top-Mount Fan Tray

Catalog Number	Fits Cabinet
EERTFT6060	600 x 600
EERTFT6080	600 x 800



87794473

Technical Data per Fan

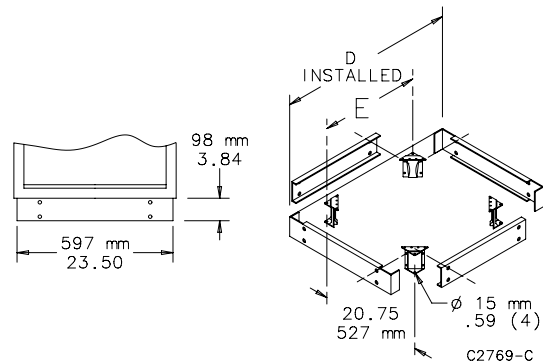
Measurement	At 115V, 60 Hz
Air Capacity	77 CFM
Noise Pressure Level	38 db(A)
Max. Static Pressure	.20 IWC
Max. Ambient Temp.	158 F (70 C)
Power Consumption	11 W

RACK CABINET PLINTH BASE

Elevates the enclosure frame 97.5 mm (3.84 in.). Base covers provide an effective barrier to the cabinet interior and are removable for transportation and cable entry. Base covers are 2.5-mm steel finished with RAL 7030 stone-gray textured polyester powder paint. Four corner legs are die-cast aluminum. Hardware for mounting covers and base legs is included.

BULLETIN: DEC1

Catalog Number	D mm/in.	E mm/in.	Fits Cabinet
EERSB6060	597 23.50	527 20.75	600 x 600
EERSB6080	797 31.38	727 28.62	600 x 800

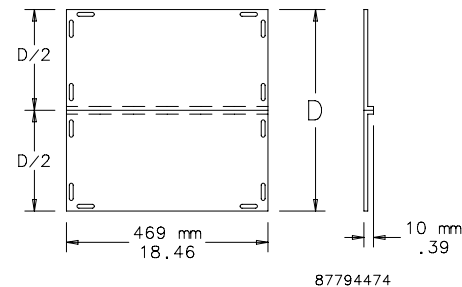


RACK CABINET BASE PLATE

Closes off the open bottom of the frame. Base plate consists of two flanged steel plates 1.5-mm thick with mounting holes and ground stud provided. Plate finish is RAL 7030 stone-gray textured polyester powder paint. Hardware for mounting the plates into the recessed bottom of the frame.

BULLETIN: DEC1

Catalog Number	D mm/in.	Fits Cabinet
EERBP6060	469 18.46	600 x 600
EERBP6080	669 26.34	600 x 800

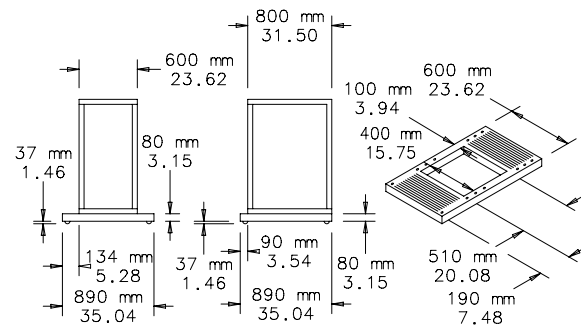


RACK CABINET MOBILE BASE

Constructed of die-cast aluminum finished with RAL 7030 stone-gray textured polyester powder paint, the base fastens to the underside of the frame and provides integral mounting of furnished casters or optional adjustable feet. Base extends beyond the front and rear of 600-mm cabinet to provide enhanced stability. Front and rear top surfaces of base have 3-mm-thick light-gray rubber mats. Four casters provide load-bearing capacity of 499 kg (1100 lb.). Casters and mounting hardware are furnished.

BULLETIN: DEC1

Catalog Number	Fits Cabinet
EERMB	600 x 600 and 600 x 800



600 mm Cabinet 800 mm Cabinet

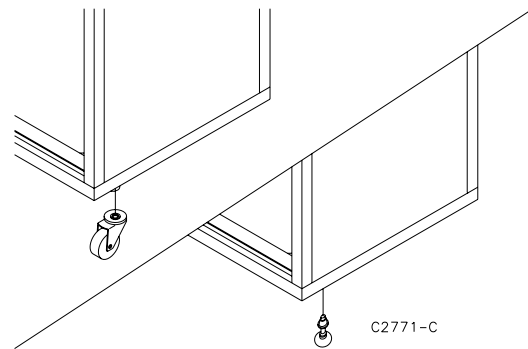
87794475

RACK CABINET CASTERS AND ADJUSTABLE FEET

Castors, two locking and two non-locking, mount directly to the bottom of the frame. The casters elevate the cabinet 110 mm (4.33 in.). Casters are made of black polyamide material. A set of four casters will support a maximum load of 499 kg (1100 lb.). Adjustable feet with ball and socket construction fit into the bottom of the cabinet frame or into the mobile base. Adjustable from 17-mm to 35-mm (0.67-in. to 1.38-in.) high. Four feet will support a maximum load of 399 kg (880 lb.).

BULLETIN: DEC1

Catalog Number	Description
EERAFT	Set of four adjustable feet
EERCK	Set of four casters



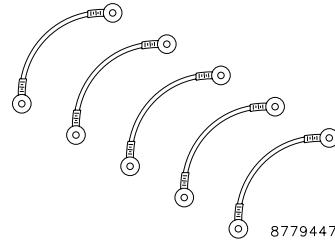
C2771-C

MINI-RACK AND RACK CABINET GROUNDING KIT

Includes five copper wires 4-sq.-mm diameter with ring terminals on both ends. Wires, 170-mm (6.69-in.) long, have striped green/yellow PVC insulation. Kit includes toothed washers and bolts to attach wires to frame uprights. Grounding kit meets VDE 0160 and VDE 0411 part 100.

BULLETIN: DEC1

Catalog Number	Description
EERGDK	5 wires and hardware



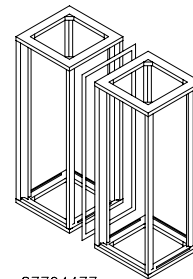
87794476

RACK CABINET JOINING KIT

Joining Kit connects two frames side-to-side once the side panels have been removed. Kit includes spacers and bolts as well as strips of foam gasket.

BULLETIN: DEC1

Catalog Number	Use with Cabinet
EERGK34U	34U maximum
EERGK38U	43U maximum



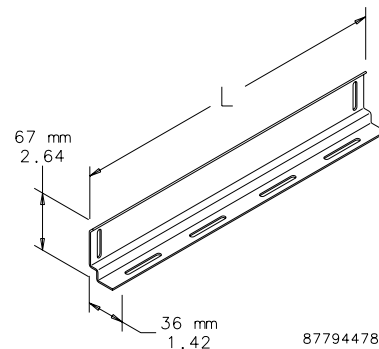
87794477

RACK CABINET SLIDE RAILS

Used to support heavy 19-in. subracks installed in a frame. Rails attach horizontally to openings on each side of a frame. Mounting holes are slotted to provide vertical adjustment. Flat surface of rail has slotted holes for attaching equipment if necessary. Made of 2-mm steel with a plated finish. Furnished in pairs with mounting hardware included. Maximum load capacity is 39.9 kg (88 lb.) per pair.

BULLETIN: DEC1

Catalog Number	L mm/in.	Fits Cabinet
EERSR60	424 16.69	600-mm deep
EERSR80	624 24.57	800-mm deep



87794478