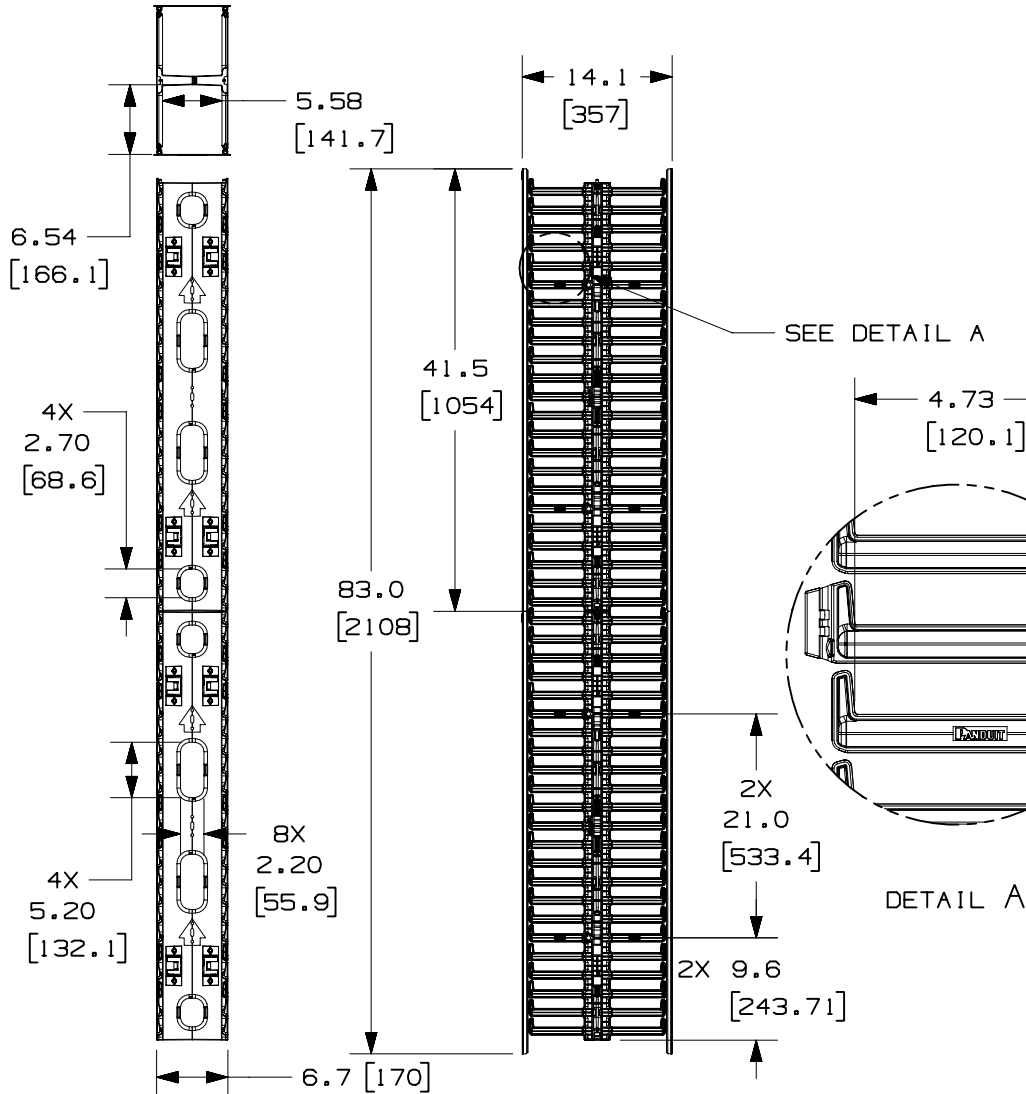


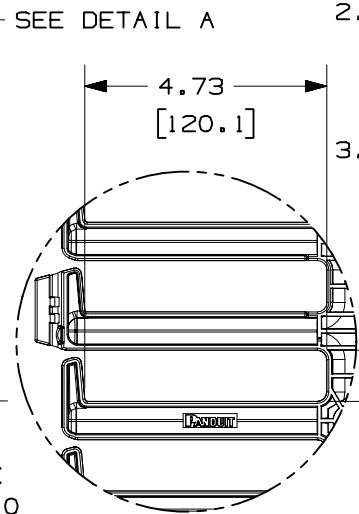
THIS COPY IS PROVIDED ON A RESTRICTED BASIS AND IS NOT TO BE USED IN ANY WAY DETRIMENTAL TO THE INTERESTS OF PANDUIT CORP.



PANDUIT P/N	WEIGHT
WMPVHC45E	23.0 LBS/EACH 10.43 Kg/EACH

NOTES:

- VISIT OUR ON-LINE CATALOG AT WWW.PANDUIT.COM FOR A CURRENT LIST OF PRODUCTS APPLICABLE FOR USE WITH THIS PART.
- COMPONENTS:
 - 2- 22.5RU CABLE MANAGEMENT SECTIONS
 - 4- 41.5" LONG COVERS
 - 12- CABLE RETAINERS
 - 4- MOUNTING BRACKETS
 - 8- #12-24 X 1/2" SCREWS
- DIMENSIONS IN PARENTHESIS ARE METRIC.

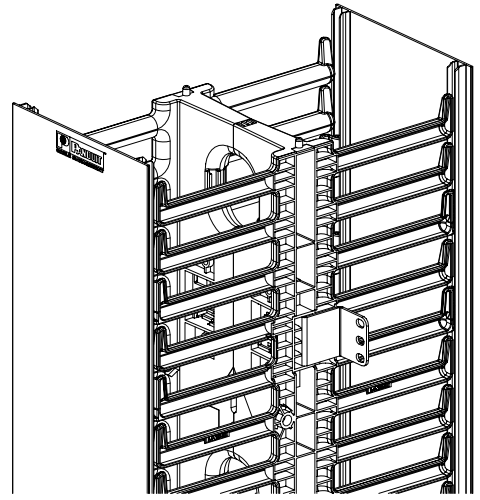
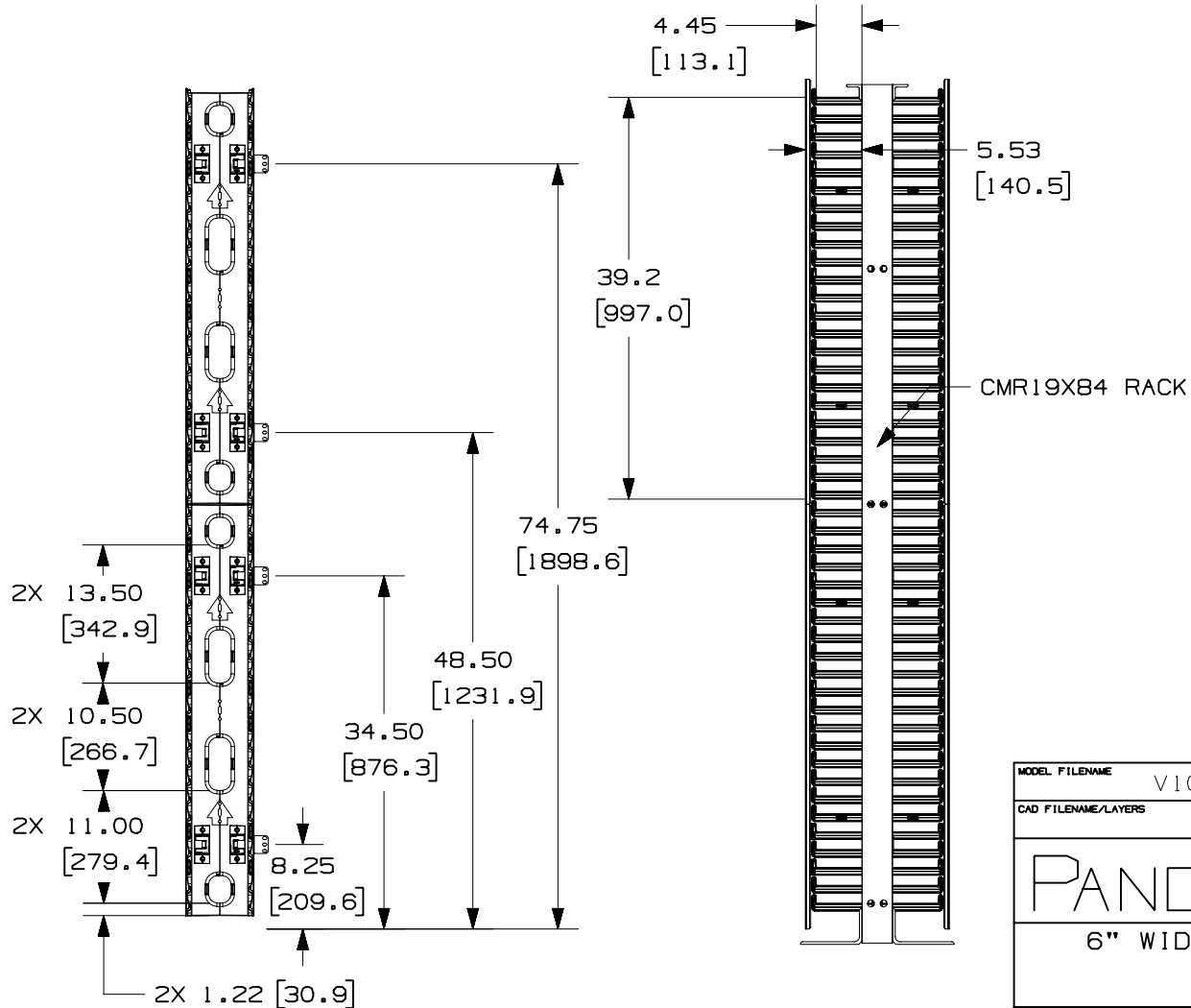


MODEL FILENAME	V10225AG_WMPVHC45E_ASSY_04.PRT		
CAD FILENAME/LAYERS	V10225AG_DC_04A.PRT		
PANDUIT CORP. TINLEY PARK, ILLINOIS			
6" WIDE VERTICAL CABLE MANAGER WMPVHC45E CUSTOMER DRAWING			

REV	DATE	BY	CHK	DESCRIPTION	ECN	R	CUST	SUP	OTH
00	3-15-05	JDWE		RELEASED TO PRODUCTION	10225-25				

UNLESS OTHERWISE SPECIFIED, DIMENSIONAL TOLERANCES ARE: (.X) ± .03 (.XXX) ± .005 (.XX) ± .015 ANGLES ± 1°		UNLESS OTHERWISE SPECIFIED, ALL DIMENSIONS ARE GIVEN IN INCHES, THIRD ANGLE PROJECTION.	
DRAWN BY JDWE	MAT'L:	SCALE NONE	
DATE 3-15-05	CABLE MANAGER- ABS COVER- PVC CABLE RETAINER- POLYCARBONATE	DRAWING NO. 10225-25 SHEET 1 OF 2	DWG A SIZE

THIS COPY IS PROVIDED ON A RESTRICTED BASIS AND IS NOT TO BE USED IN ANY WAY DETRIMENTAL TO THE INTERESTS OF PANDUIT CORP.



MODEL FILENAME V10225AG_WMPVHC45E_ASSY_04.PRT

CAD FILENAME/LAYERS V10225AG_DC_04A.PRT

PANDUIT CORP. TINLEY PARK, ILLINOIS

**6" WIDE VERTICAL CABLE MANAGER
WMPVHC45E
CUSTOMER DRAWING**

UNLESS OTHERWISE SPECIFIED,
DIMENSIONAL TOLERANCES ARE:
(.X) ± .03 (.XXX) ± .005
(.XX) ± .015 ANGLES ± 1°

UNLESS OTHERWISE SPECIFIED,
ALL DIMENSIONS ARE GIVEN
IN INCHES, THIRD ANGLE PROJECTION.

DRAWN BY
JDWE

MAT'L:

SCALE
NONE

DATE
3-15-05

CABLE MANAGER- ABS
COVER- PVC
CABLE RETAINER- POLYCARBONATE

DRAWING NO.
10225-25
SHEET 2 OF 2

DWG
A
SIZE

REV	DATE	BY	CHK	DESCRIPTION	ECN	R	CUST	SUP	OTH
00	3-15-05	JDWE		SEE SHEET 1 OF 2 FOR REVISIONS	10225-25				