

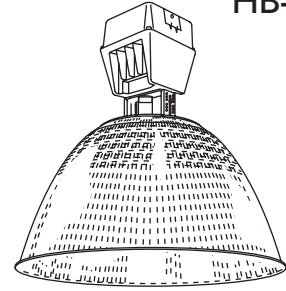
JOB NAME _____

TYPE _____

HBO OPEN HIGH BAY ACRYLIC REFLECTOR

HB-10150

400-1000 watt Metal Halide
400-1000 watt High Pressure Sodium
400-875 watt Pulse Start Metal Halide



The HBO1000 Open High Bay Luminaire features an open, acrylic reflector for maximum efficiency in general purpose retail, educational and industrial applications where uplight is required.

ORDERING MATRIX

SAMPLE CATALOG NUMBER: HBO10XMMT AR25

HBO			
BALLAST ASSEMBLY HBO		LAMP SOURCE⁸ M - Metal Halide S - High Pressure Sodium P - Pulse Start Metal Halide (Ballast option must also be specified)	
	WATTAGE 400 - 400 450 - 450 ³⁰ 875 - 875 ³⁰ 10X - 1000 ³³		VOLTAGE 12 - 120 20 - 208 24 - 240 27 - 277 34 - 347 48 - 480 MT - 120/208 240/277 TT - 120/277 347

	OPTIONS (add as suffix) CUL - UL Listing to meet CSA standards EP - Encased and Potted core and coil ballast for quiet operation ^{47,48} OR - Open Rated Socket PSC - Pulse Start CWA Ballast PSM - Pulse Start Magnetic Regulated Ballast (400 watt only.) PSR - Pulse Start Reactor Ballast (400 & 450 watt. 277 volt only.) Q - Quartz Standby QEM - Quartz Emergency ⁴⁹ QTD - Quartz Time Delay WDF - Wired Double Fuse ⁴⁵ WSF - Wired Single Fuse ⁴⁶ HL - HI/LO Ballast ⁴⁶ NFZ - Non Food Zone	OPTICAL ASSEMBLY AR25 - Open 25" Acrylic Reflector

Footnotes:
⁸Coated lamp recommended.
³⁰Pulse Start Metal Halide Only.
³³Not available in Pulse Start Metal Halide.
⁴⁵Requires 120V secondary power supply.
⁴⁶Use with 208, 240, and 480 volt.
⁴⁷Use with 120, 277, and 347 volt.
⁴⁸Consult factory for availability of 750 & 1000 watt.
⁴⁹May require deep ballast housing.
⁵⁴Must specify voltage.

ACCESSORIES (ORDER SEPARATELY)

- CH - Cover Half for Power Hook (use with PB)
- PB - Power Box for Power Hook (use with CH)
- HP12 - Hook-Cord-Plug Assembly 120V
- HP25 - Hook-Cord-Plug Assembly 208-240V
- HP27 - Hook-Cord-Plug Assembly 277V
- HP48 - Hook-Cord-Plug Assembly 480V
- HMR - Suspension Hook Male
- LMR - Suspension Loop Male
- SCB3 - Ballast Retainer Chain 3'
- WCG25 - Wire Cage 25" Acrylic
- WGA25 - Wire Guard 25" Acrylic
- WCG25D - Wire Cage 25" Acrylic (use w/25DL or EP option)

(Refer to Section 18000 for additional accessories.)

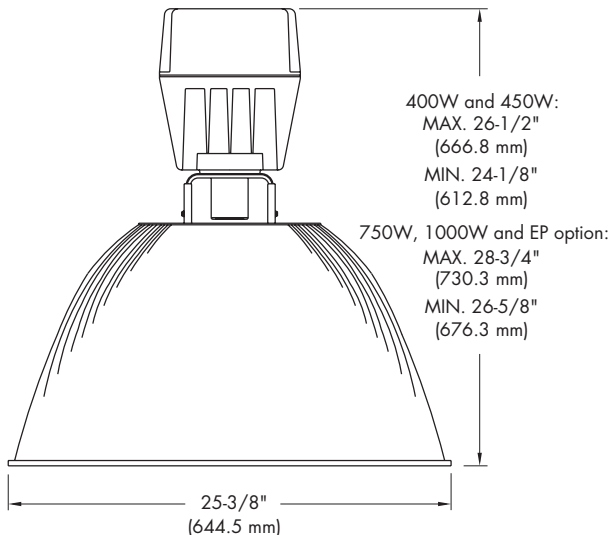
LENS ACCESSORIES (ORDER SEPARATELY)

- 25FL - 25" Flat Acrylic Lens (450W max)
- 25DL - 25" Drop Acrylic Lens (450W max)

General Notes:
 All accessories are field installed.
 Mogul base lamp only.
 All options factory installed.

Warning: Many Metal Halide lamps are rated for enclosed fixtures only. Some lamps are specifically rated for open fixtures and require an open rated socket (option code-"OR"). Refer to and follow the lamp manufacturer's warnings and instructions.

DIMENSIONS



ENERGY DATA

HIGH PRESSURE SODIUM

CWA BALLAST INPUT WATTS

400 watt-464 watts

1000 watt-1100 watts

METAL HALIDE

CWA BALLAST INPUT WATTS

400 watt-458 watts

450 watt-508 watts

750 watt-810 watts

1000 watt-1080 watts

HBO COATED 1000W MH AR25/POSITION 4																																
MEDIUM SPREAD S/MH = 1.9 TEST NO. 18448																																
DISTRIBUTION CURVE	COEFFICIENTS OF UTILIZATION										AVERAGE BRIGHTNESS				ZONAL SUMMARY				CANDLEPOWER													
	EFFECTIVE FLOOR CAVITY REFLECTANCE 20 PER (pfc=0.20)																															
	CEIL	80	70	50	30	10	ZONE	END	45	CROSS	Degrees	Lumens	% Lamp	% Fixture	Angle	Avg. Candela	Angle	Avg. Candela														
	WALL	70	50	30	10	70	50	30	10	50	30	10	50	30	10	(0-30)	19138	18.2	20.8	0	17602	95	3832									
	RCR	0	101	101	101	97	97	97	89	89	89	82	82	82	75	75	75	(0-40)	35474	33.8	38.6	5	17500	105	3751							
	1	91	87	83	80	88	84	80	77	77	75	72	71	69	67	66	64	62	(0-60)	62481	59.5	67.9	15	19565	115	3291						
	2	83	76	71	66	80	73	68	64	68	64	60	63	59	56	58	55	53	(90-180)	16204	15.4	17.6	25	25655	125	2561						
	3	76	67	60	55	73	65	59	53	60	55	51	56	51	48	52	48	45	(0-180)	92007	87.6	100.0	35	26429	135	1695						
	4	70	60	52	47	67	58	51	45	53	48	43	50	45	41	46	42	39	COMPARATIVE YEARLY LIGHTING ENERGY COST PER 1000 LUMENS = \$2.82 BASED ON 3000 HRS. AND \$.08 PER KWH. LER=85										45	20739	145	975
	5	64	53	46	40	61	51	44	39	48	42	37	45	39	36	41	37	34											55	12427	155	720
	6	59	48	40	35	56	46	39	34	43	37	32	40	35	31	37	33	30	65	5754	165	604										
7	55	43	36	30	52	42	35	30	39	33	29	36	31	27	34	30	26	75	3328	175	691											
8	51	39	32	27	48	38	31	26	35	30	25	33	28	24	31	27	23	These photometric results were obtained in the Philips Day-Brite Lighting Laboratory which is NVLAP accredited by the National Institute of Standards and Technology.														
9	47	36	29	24	45	35	28	23	32	27	23	30	25	22	29	24	21	85	3526													
10	44	33	26	21	42	32	25	21	30	24	20	28	23	19	26	22	19															

ADDITIONAL TEST NUMBERS

AR25 400 WATT	S/MH	METAL HALIDE	TEST NUMBER
POSITION 1	1.0		18444
POSITION 2	1.1		18443
POSITION 3	1.2		18442
POSITION 4	1.5		18441
POSITION 5	1.6		18440
POSITION 6	1.7		18439

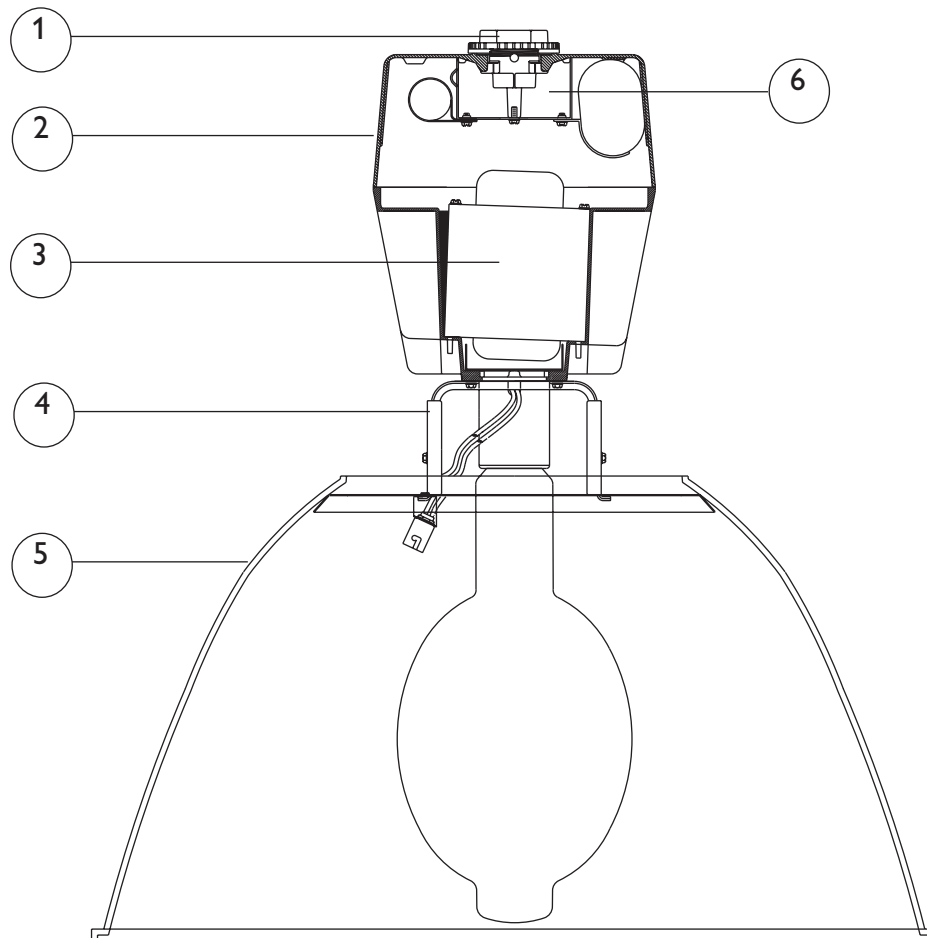
AR25 1000 WATT	S/MH	HPS	TEST NUMBER
POSITION 1	0.8		18456
POSITION 2	1.0		18455
POSITION 3	1.1		18454
POSITION 4	1.8		18453
POSITION 5	2.0		18452
POSITION 6	2.2		18451

AR25 1000 WATT	S/MH	METAL HALIDE	TEST NUMBER
POSITION 1	1.7		18450
POSITION 2	1.8		18449
POSITION 3	1.8		18448
POSITION 4	2.0		18447
POSITION 5	2.0		18446
POSITION 6	2.1		18445

PRODUCT FEATURES

UL 1598 Listed suitable for damp location and 40°C ambient (55°C ambient for 400W).

- 3/4" threaded cast aluminum nut and hub for easy, positive mounting.
- Heavy wall, two piece die cast aluminum housing with white polyester powder finish.
- Day-Brite "Slant 2" ballast mounting for cooler operation. Ballast has high temperature class H insulation and a minimum starting temperature of -40°C (-40°F) for HPS and Pulse Start MH or -30°C (-20°F) for MH.
- Heavy gauge yoke provides positive mounting of reflector to ballast assembly and field adjustable light distribution patterns.
- Injection molded 100% virgin acrylic prismatic reflector.
- Large wiring access with captive retainer screw.



© 2013 Koninklijke Philips Electronics N.V. All rights reserved. Specifications are subject to change without notice. www.philips.com/luminaires

HB-10150 03/13

Philips Lighting Company
200 Franklin Square Drive
Somerset, NJ 08873
Phone: 855-486-2216

Philips Lighting Company
281 Hillmount Road
Markham ON, Canada L6C 2S3
Phone: 800-668-9008