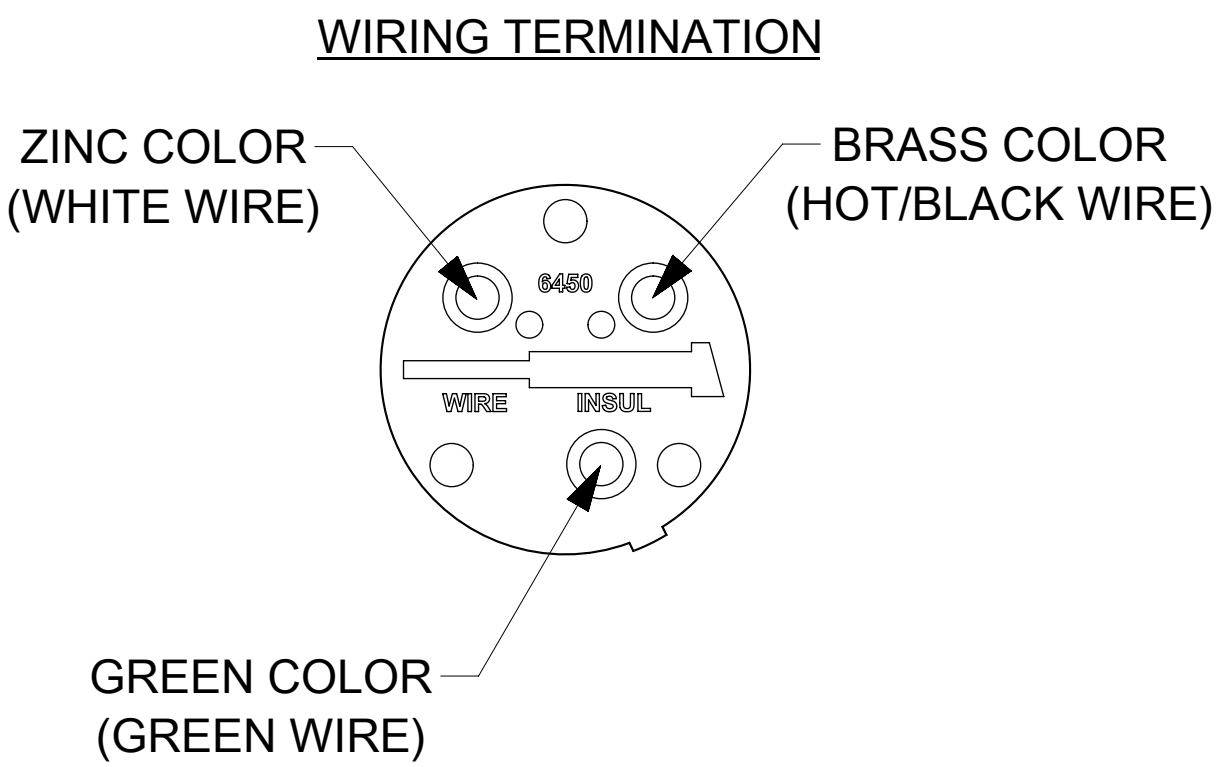
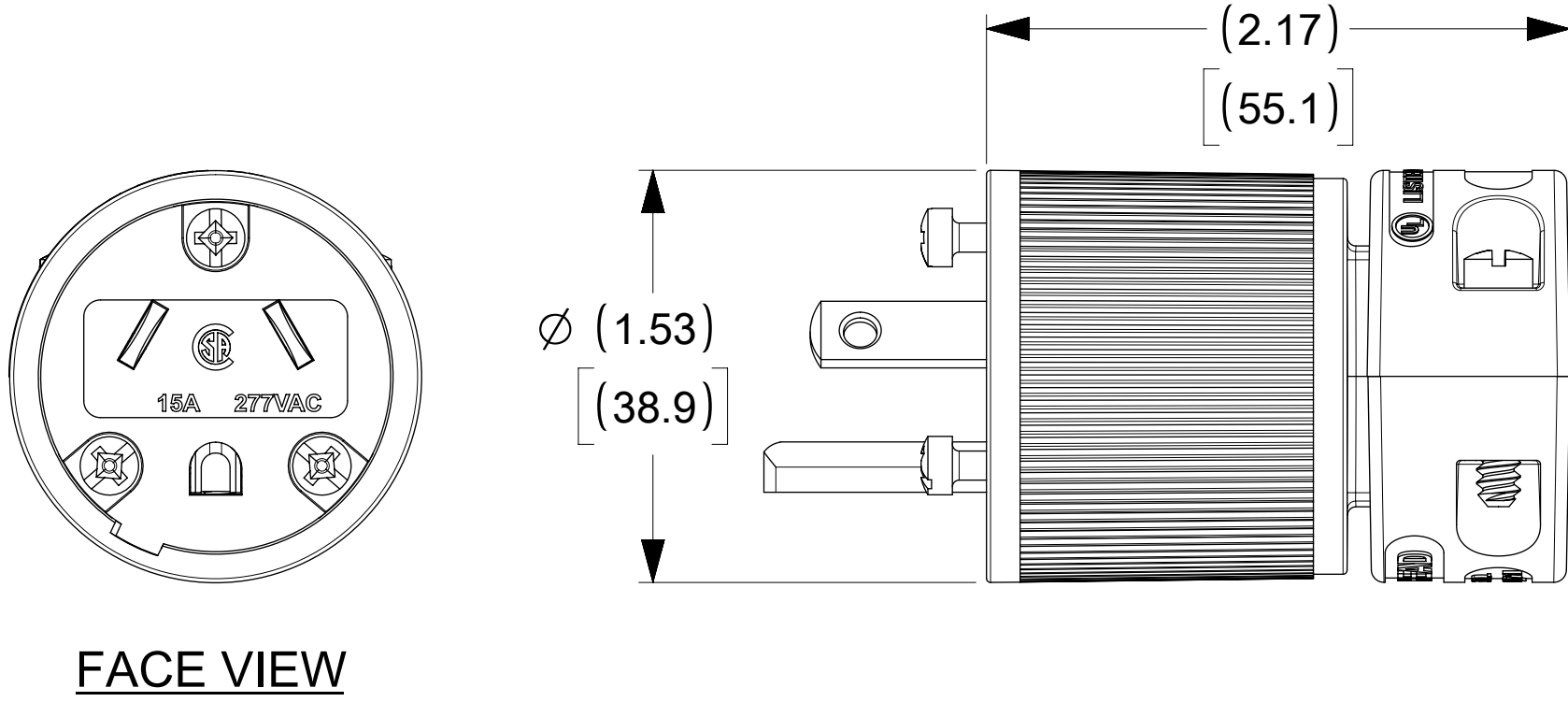
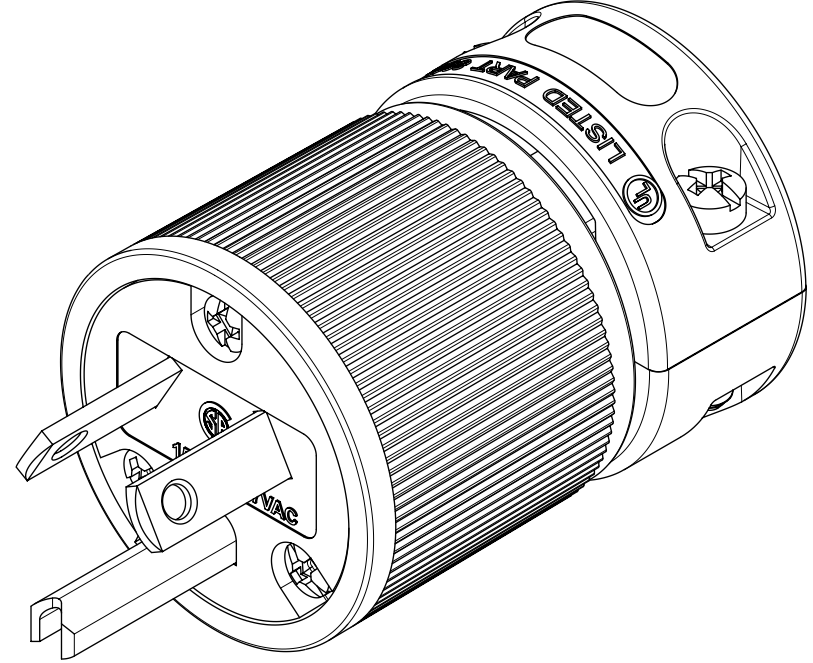
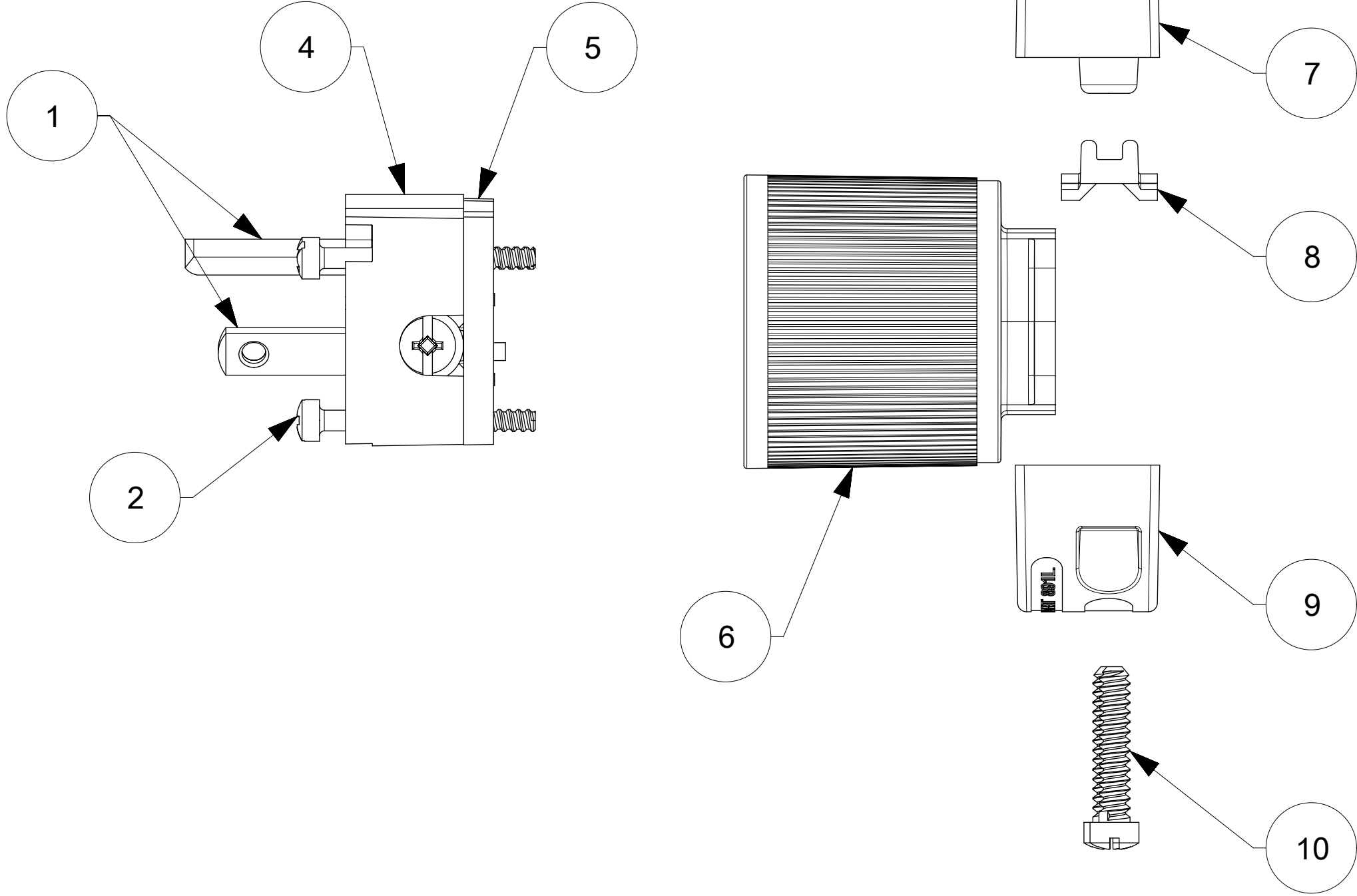


ORDER NO.	WOODHEAD NO.	COLOR
130144-0069	5766	BLACK



ITEM NO.	DESCRIPTIONS	MATERIAL	QTY.
1	BLADES	BRASS	3
2	RETAINING SCREWS	STAINLESS STEEL	3
3	TERMINAL SCREWS/CLAMP ASSEMBLY	BRASS, ZINC PLATED	3
4	INSERT	NYLON	1
5	TERMINAL COVER	POLYCARBONATE	1
6	HOUSING; BLACK	NYLON	1
7	CLAMP CORD MALE	NYLON	1
8	CLAMP CORD INSERT	NYLON	1
9	CLAMP CORD FEMALE	NYLON	1
10	RETAINING SCREWS	STEEL, ZINC PLATED	2

SYMBOLS	THIS DRAWING CONTAINS INFORMATION THAT IS PROPRIETARY TO MOLEX ELECTRONIC TECHNOLOGIES, LLC AND SHOULD NOT BE USED WITHOUT WRITTEN PERMISSION			
	DIMENSION UNITS	SCALE	CURRENT REV DESC: NEW RELEASE	
$\nabla = 0$	INCH	NTS	<p>molex</p> <p>SAFEWAY PLUG 2P3W 7-15</p> <p>PRODUCT CUSTOMER DRAWING</p>	
$\nabla = 0$	GENERAL TOLERANCES (UNLESS SPECIFIED)			
$\nabla = 0$	MM	INCH		
$\nabla = 0$	4 PLACES	±		
$\nabla = 0$	3 PLACES	±	±	<p>EC NO: 621092</p> <p>DRWN: VBASUTHKARP 2019/02/07</p> <p>CHK'D: DNGUYEN62 2019/10/30</p> <p>APPR: HKNEELAND 2020/02/05</p>
$\nabla = 0$	2 PLACES	±	±	<p>INITIAL REVISION:</p> <p>DRWN: VBASUTHKARP 2019/02/07</p> <p>APPR: HKNEELAND 2020/02/05</p>
$\nabla = 0$	1 PLACE	±	±	
$\nabla = 0$	0 PLACES	±	±	<p>DOCUMENT NUMBER</p> <p>1301440069</p> <p>MATERIAL NUMBER</p> <p>SEE TABLE</p>
$\nabla = 0$	ANGULAR TOL	±	°	<p>DOC TYPE</p> <p>PSD</p> <p>DOC PART</p> <p>000</p> <p>REVISION</p> <p>A</p>
$\nabla = 0$	DRAFT WHERE APPLICABLE MUST REMAIN WITHIN DIMENSIONS	THIRD ANGLE PROJECTION	DRAWING	SHEET NUMBER
$\nabla = 0$			C-SIZE	130144
			GENERAL MARKET	1 OF 1