

BALDOR® • RELIANCE

Product Information Packet

GCP25002

G.M. K24KF 115V AC 23//28 RPM 60:1

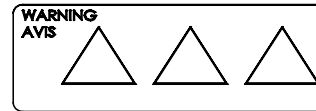
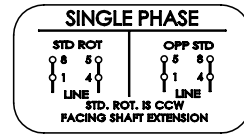
Part Detail							
Revision:	Q	Status:	PRD/A	Change #:		Proprietary:	No
Type:	AC	Elec. Spec:	25WGW026	CD Diagram:	CD1917	Mfg Plant:	
Mech. Spec:		Layout:	25E751W026G1	Poles:	04	Created Date:	03-03-2006
Base:		Eff. Date:	01-17-2017	Leads:	4#18		

Specs			
Enclosure:	TEFC		
Gearhead Type:	PARALLEL SHAFT		
Gear Ratio:	60:1		
Gear Style:	PSL		
Connection Diagram:	CD1917		
Dimensional Drawing Numbers:	25E751W026G1		
Duty Rating:	CONT		
Frame Material:	Steel		
Insulation Class:	F		
KVA Code:	S		

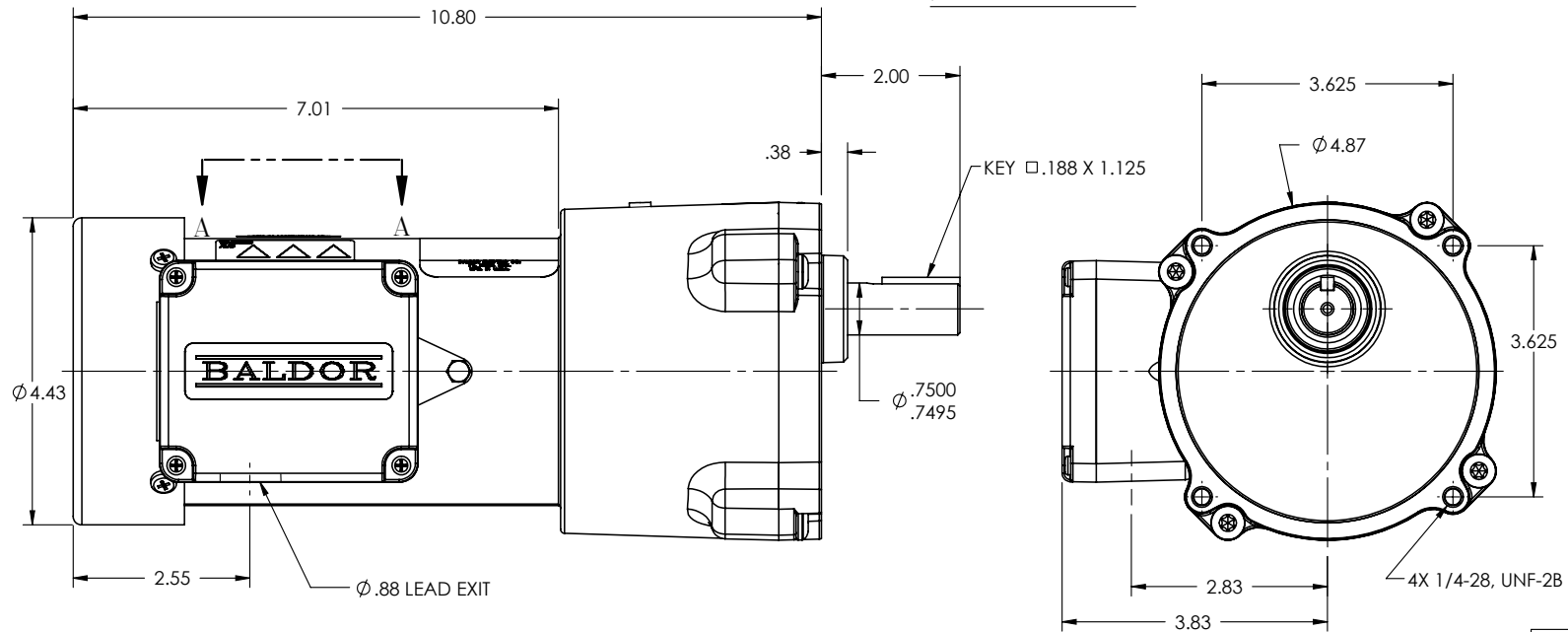
Nameplate NP1220A05			
CAT.NO.	GCP25002		
SER.NO.			
SPEC.	25E751W026G1		
HP	.1//.13	TE	
VOLTS	115		
AMP	2.9//2.5		
HZ	50//60	PH	1
AMB.	40	DUTY	CONT
CAP		CODE	S
SER.F.	1.00	CLASS	F
SF AMP			
R.P.M.	23//28		
TORQ/IN LB	270		
RATIO	60:1		
APRV-CE		APRV-CSA	
			APRV-UL

No performance data has been
assigned to this product.

25E751W026G1



SECTION A-A



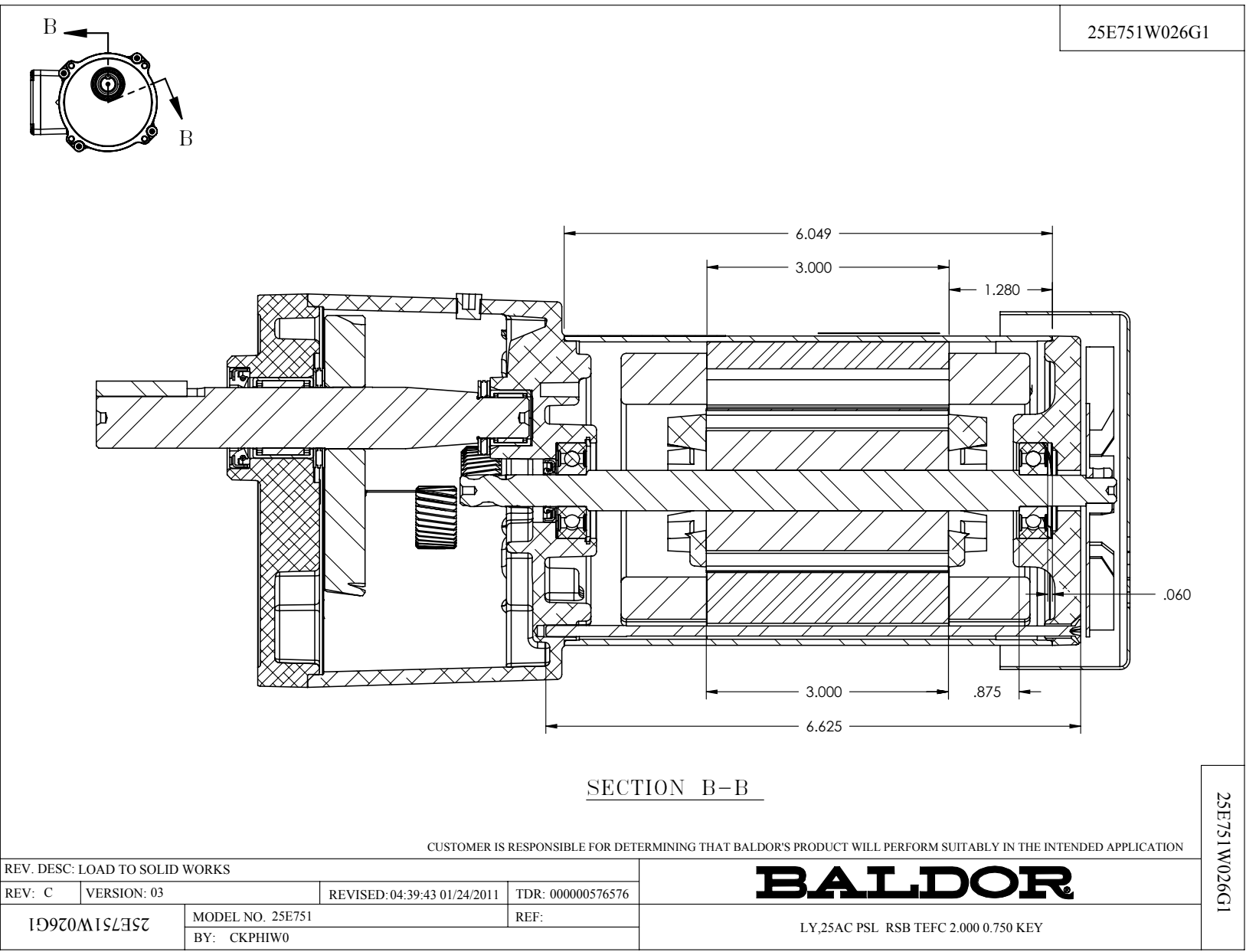
CUSTOMER IS RESPONSIBLE FOR DETERMINING THAT BALDOR'S PRODUCT WILL PERFORM SUITABLY IN THE INTENDED APPLICATION

REV. DESC: LOAD TO SOLID WORKS			
REV: C	VERSION: 03	REVISED: 04:39:43 01/24/2011	TDR: 000000576576
25E751W026G1		MODEL NO. 25E751 BY: CKPHIWO	REF:

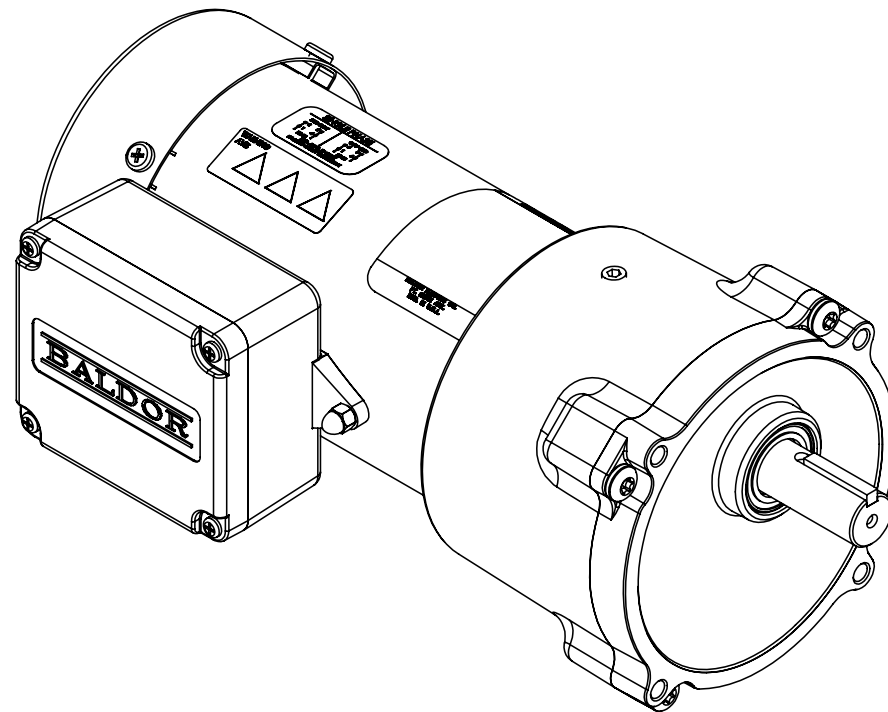
BALDOR

LY,25AC PSL RSB TEFC 2.000 0.750 KEY

25E751W026G1



ITEM NO.	PART NUMBER	25E751W026G1/ QTY.
1	HG0076A03	1
2	BMH1716	1
3	BG6200C	2
4	HW5002A45	1
5	HW4600D28	1
6	HW3064E05	1
7	HA4021A05	1
8	BH1163A02	1
9	25SH4004E12	1
10	25RC2024A00	1
11	25SB0016F03	1
12	24CB3000A	1
13	XY0632A04	1
14	XY0632A05	2
15	24CB3500A	1
16	15XP0619A08	4
17	25EP2101A18	1
18	HW5109A08	1
19	11XT0832G04	1
20	HA3170A07	2
21	BFN3712	1
22	25FH4003	1
23	15XN1032A08	4
24	BGS00975	1
25	BGS00076	1
26	BGS00077	1
27	CG0012A01	1
28	HW4600D39	1
29	BH1163A03	1
30	60XM2520A12	4
31	BMH1910	1
32	NP1220 25AC RSB	1
33	LB1451	1
34	LC0899A55	1



25E751W026G1

25E751W026G1

REV. DESC: LOAD TO SOLID WORKS

REV: C VERSION: 03 REVISED: 04:39:43 01/24/2011 TDR: 000000576576

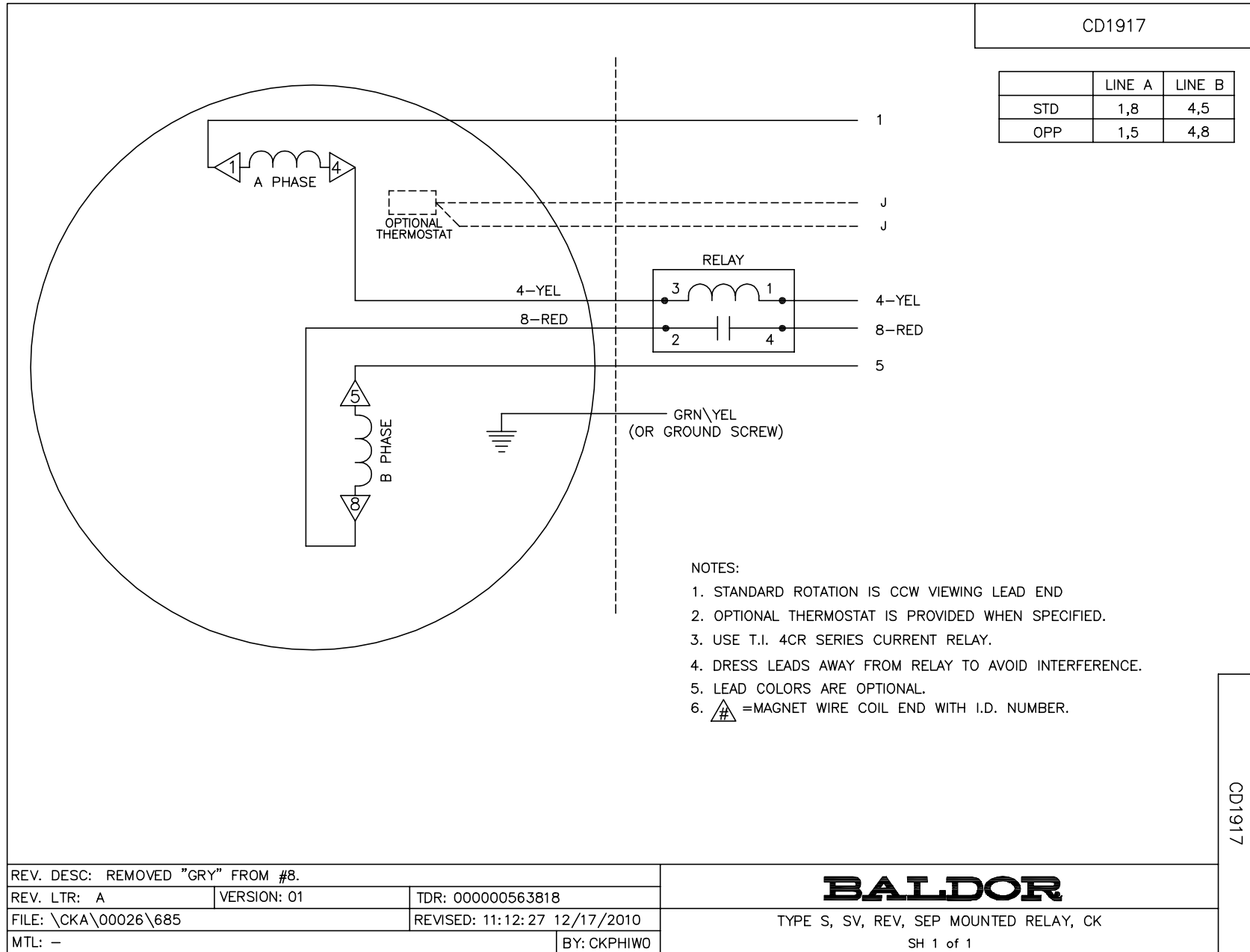
25E751W026G1

MODEL NO. 25E751
BY: CKPHIW0

REF:

BALDOR

LY,25AC PSL RSB TEFC 2.000 0.750 KEY



REV. DESC: REMOVED "GRY" FROM #8.		
REV. LTR: A	VERSION: 01	TDR: 000000563818
FILE: \CKA\00026\685	REVISED: 11:12:27 12/17/2010	
MTL: -	BY: CKPHIWO	

BALDOR

TYPE S, SV, REV, SEP MOUNTED RELAY, CK

SH 1 of 1

CD1917