

THIS COPY IS PROVIDED ON A RESTRICTED BASIS AND IS NOT TO BE USED IN ANY WAY DETRIMENTAL TO THE INTERESTS OF PANDUIT CORP.

PANDUIT TOOL NO.	INSTALLS * THE FOLLOWING STAINLESS STEEL CABLE TIE CROSS-SECTION **	WEIGHT/PC	
		OZ	GRAMS
GS4MT-E	STD LH & H	15.52	440

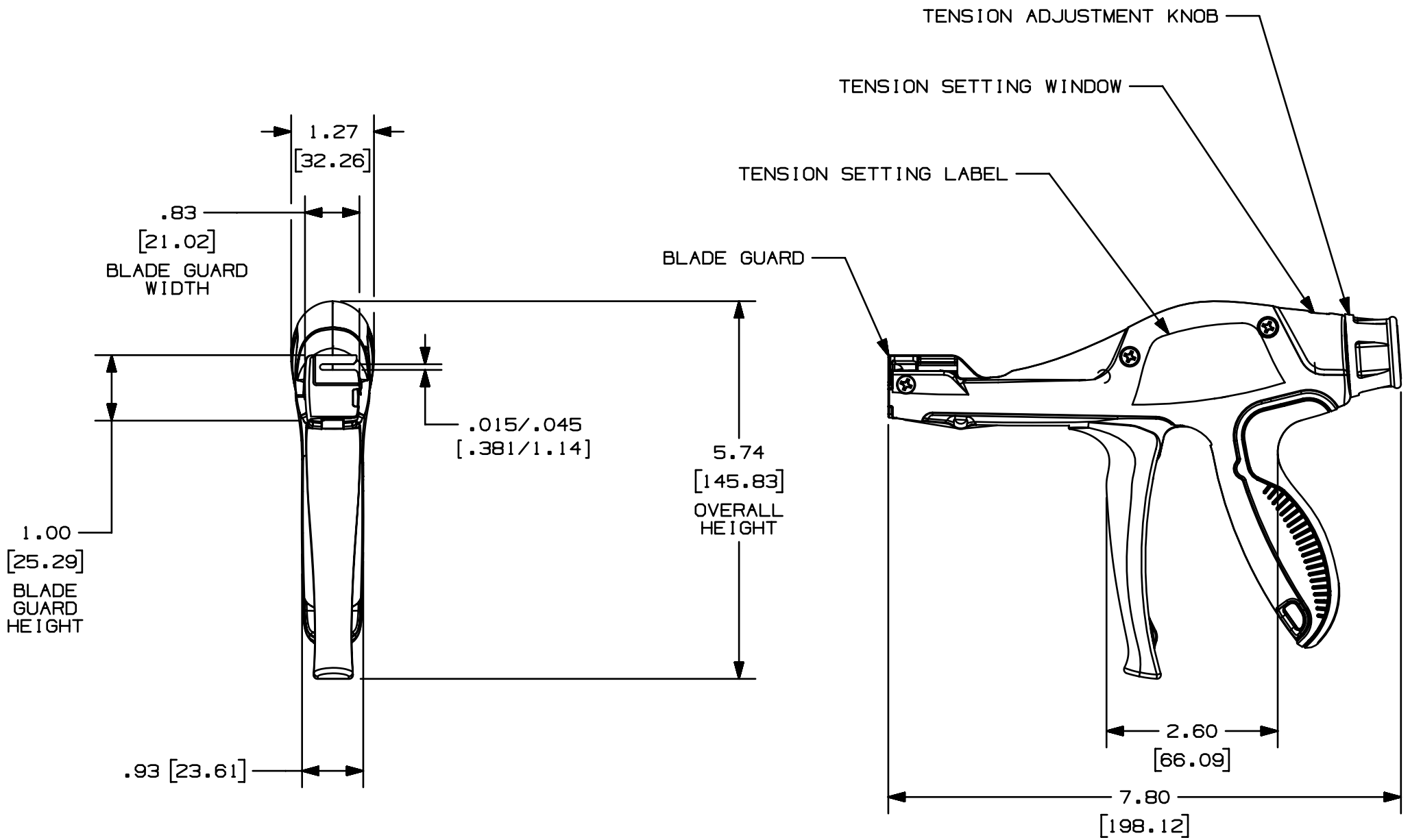
NOTES, UNLESS OTHERWISE SPECIFIED:

RoHS COMPLIANT.

* THIS TOOL TIGHTENS PANDUIT STAINLESS STEEL CABLE TIES AND CUTS OFF EXCESS PORTION WHEN PRESET TENSION IS ATTAINED.

** CABLE TIE CROSS-SECTION CODE:
 STD = STANDARD
 LH = LIGHT HEAVY
 H = HEAVY

DIMENSIONS IN BRACKETS ARE METRIC.



TENSION SETTINGS

TIE WIDTH	---	---
SETTING	STD 1-4	HVY 5-8

REV	DATE	BY	CHK	APR	DESCRIPTION	ECN
01	11-2-16	JEH	ABJ	JADE	RELEASED AT REV 01	4853

TITLE CD, GS4MT-E Customer/Military Drawing					
ITEM REVISION NAME R27580AA/01	PANDUIT				
DATASET FILE NAME R27580AA_DS_TM27580B01/01A					
UNLESS OTHERWISE SPECIFIED, DIMENSIONAL TOLERANCES ARE: IN [mm] .x ± .1 [2.54] .xxx ± .005 [.127] .xx ± .01 [.25] ANGLES ± 5°					
DRAWING NUMBER: TM27580B01					
DRAWN BY JEH	DATE 1-26-15	CHK ABJ	SCALE 1:2	SHT 1 OF 1	SIZE B